

Operating Instructions | Betriebsanleitung | Mode d'emploi | Instrucciones de manejo |  
Manuale d'uso | 操作说明 | 사용 설명서

Original Operating Instructions | Original-Betriebsanleitung | Mode d'emploi original | Instrucciones de  
manejo originales | Manuale d'uso originale | 原始操作说明 | 원본 사용 설명서

# Maxicaps<sup>®</sup> MR



1000115000



SARTORIUS

English	page	3
Deutsch	Seite	47
Français	page	92
Español	página	137
Italiano	pagina	182
中文	页码	227
한국어	페이지	270

# Contents

<b>1</b>	<b>About These Instructions</b>	<b>5</b>
1.1	Validity	5
1.2	Related Documents	5
1.3	Target Groups	5
1.4	Symbols Used	6
1.4.1	Warnings in Operation Descriptions	6
1.4.2	Other Symbols Used	6
<b>2</b>	<b>Safety Instructions</b>	<b>7</b>
2.1	Intended Use	7
2.1.1	Modifications to the System	7
2.1.2	Qualifications of Personnel	8
2.2	Protective Equipment	8
2.3	Warning Symbols on the System	8
2.4	Accessories	8
2.5	Personal Protective Equipment	8
2.6	Filter Unit Damage	9
2.7	Heavy	9
2.8	Lifting Gear	9
2.9	Media Under Pressure	9
2.10	System Rolls Away	9
2.11	System Tips Over	9
<b>3</b>	<b>System Description</b>	<b>10</b>
3.1	System Overview	10
3.2	Trolley with Handles	11
3.3	Filter Unit	12
3.4	Filter Unit Label	13
3.5	Swivel Function	14
3.6	Valve Actuators	15
3.7	Protective Equipment	16
3.8	Warning Symbols on the System	17
<b>4</b>	<b>Installation</b>	<b>18</b>
4.1	Selecting an Installation Site	18
4.2	Unpacking	18
4.2.1	Unpacking Trolley and Handles	18
4.2.2	Unpacking the Maxicaps® MR Filter Unit	18
4.3	Positioning and Securing the Trolley at the Installation Site	19
4.4	Mounting the System Rail Extension	20
4.5	Setting the Air Filter Holder	20
<b>5</b>	<b>Process Preparation</b>	<b>21</b>
5.1	Mounting Maxicaps® MR	21
5.1.1	Mounting Handles on the Filter Unit	21
5.1.2	Mounting the Filter Unit on the Trolley without Flexsafe® STR Lifting Device	23
5.1.3	Installing the Lifting Gear on the Flexsafe® STR Lifting Device	24
5.1.4	Mounting the Filter Unit on the Trolley with Flexsafe® STR Lifting Device	25

5.2	Mounting Valve Actuators .....	27
5.3	Mounting the Air Filter.....	28
<b>6</b>	<b>Operation.....</b>	<b>30</b>
6.1	Filling and Venting the Filter Unit.....	30
6.2	Flush Filter Unit.....	31
6.3	Performing Filtration.....	32
6.4	Performing a Filter Integrity Test.....	32
6.5	Emptying the Filter Unit .....	33
6.5.1	Gravimetical Emptying of the Filter Unit .....	33
6.5.2	Empty the Filter Unit with Compressed Air.....	34
6.6	Disconnect the Connections and Valve Actuators from the Filter Unit .....	34
6.7	Mounting the Filter Unit and Handles without Flexsafe® STR Lifting Device ...	35
6.8	Dismounting the Filter Unit and Handles with Flexsafe® STR Lifting Device....	36
<b>7</b>	<b>Cleaning .....</b>	<b>39</b>
7.1	Cleaning Trolley and Handles.....	39
<b>8</b>	<b>Malfunctions.....</b>	<b>39</b>
<b>9</b>	<b>Transport.....</b>	<b>40</b>
<b>10</b>	<b>Storage and Shipping .....</b>	<b>41</b>
10.1	Storing Trolley and Handles.....	41
10.2	Returning the System and Parts .....	41
<b>11</b>	<b>Disposal.....</b>	<b>41</b>
11.1	Disposing of the System and Parts.....	41
<b>12</b>	<b>Technical Data .....</b>	<b>42</b>
12.1	Weights .....	42
12.1.1	Filter Unit Weight .....	42
12.1.2	Multi-Use Components Weight.....	42
12.2	Maxicaps® MR Total System Dimensions .....	43
12.3	Filter Unit Total Volumes.....	43
12.4	Ambient and Storage Conditions .....	44
12.5	Filter Integrity Test Parameters .....	44
12.6	Parameters for Emptying the Filter Unit with Compressed Air.....	44
12.7	Maximum Operating Time Per Filter Unit.....	44
12.8	Trolley, Valve Actuators and Handle Service Life.....	44
12.9	Permitted Filter Units.....	44
12.10	Multi-use Component Materials.....	45
12.11	Cleaning Agents and Cleaning Procedures.....	45
<b>13</b>	<b>Accessories .....</b>	<b>46</b>
<b>14</b>	<b>Sartorius Service .....</b>	<b>46</b>
<b>15</b>	<b>Conformity Documents.....</b>	<b>46</b>

# 1 About These Instructions

## 1.1 Validity

These instructions are part of the system, they must be read in full and stored. These instructions apply to the system in the following versions:

System and Accessories	Material Number
Trolley	FIA500010
Handles	FIA500011
Lifting Gear	FIA500012
Valve Actuator	FIA500013
Pressure Safety Device	26787---PS
Filter Unit Maxicaps® MR, single-use	FMR5xxxx*

\* depending on the configuration

## 1.2 Related Documents

- In addition to these instructions, please refer to the following documents:
- Instructions for filter integrity tester, e.g., Sartocheck® 5
  - Instructions for TAWI lifting devices (Flexsafe® STR Lifting Device)
  - Instructions for connectors
  - Maxicaps® MR data sheet

## 1.3 Target Groups

These instructions are addressed to the following target groups. The target groups must possess the specified knowledge.

Target Group	Knowledge and Qualifications
Operator	The operator is familiar with the system and the associated work processes. The operator understands the hazards which may arise when working with the system and knows how to prevent them.

## 1.4 Symbols Used

### 1.4.1 Warnings in Operation Descriptions

---

#### **WARNING**

Denotes a hazard that may result in death or serious injury if it is **not** avoided.

---

#### **CAUTION**

Denotes a hazard that may result in moderate or minor injury if it is **not** avoided.

---

#### **NOTICE**

Denotes a hazard that may result in property damage if it is **not** avoided.

---

### 1.4.2 Other Symbols Used

- ▶ Required action: Describes activities that must be carried out. The activities in the sequence must be carried out in succession.
- ▷ Result: Describes the result of the activities carried out.

#### **Figures in These Instructions**

Depending on the system configuration, the figures depicting the system may differ slightly from the supplied system. The variants shown in these instructions are examples.

## 2 Safety Instructions

### 2.1 Intended Use

Maxicaps® MR is a system for filtering water-based liquids and carrying out filter integrity tests. The system comprises a multi-use components trolley, handles and valve actuators, and a single-use filter unit. The single-use filter unit must be suitable for the system (for permissible filter units, see Chapter 12.9, page 44):

The following processes are **not** permitted to be carried out with the system:

- Filtration processes using biological materials in Risk Class 3 or 4 (according to EU article 2000/54/EC)
- Filtration processes with hazardous substances pursuant to the German Hazardous Substances Ordinance [GefStoffV]

The system is intended solely for use in accordance with these instructions. Any other use is considered **improper**.

#### Foreseeable Misuse

The following applications are **not** permitted:

- Use for other processes that are not explicitly approved
- Use as a climbing aid
- Use of the single-use filter unit as a setup surface
- Use of the trolley as a transport vehicle
- Use of the system for gas filtration (exception: filter integrity test)

#### Operating Conditions for the System

Do **not** use the system in potentially explosive environments. Only use the system indoors.

The system may only be used with the equipment and under the operating conditions described in the Technical Data section of these instructions.

#### 2.1.1 Modifications to the System

If the system is modified: Persons may be put at risk. System-specific documents and product approvals may lose their validity.

For queries regarding modifications to the system, contact Sartorius.

## 2.1.2 Qualifications of Personnel

Persons who do not possess adequate knowledge about how to use the system correctly may injure themselves and other persons.

If a particular qualification is required for an activity: The target group will be specified. If **no** qualification is specified: The activity may be carried out by the "Operator" target group.

## 2.2 Protective Equipment

The protective equipment on the system protects persons who work with the system against the hazards and harms associated with it, e.g. overpressure. If the system's protective equipment is dismantled or modified: People may be seriously injured.

- ▶ Do **not** dismantle, modify, or disable the protective equipment (for safety equipment, see Chapter 3.7, page 16).

## 2.3 Warning Symbols on the System

Warning Symbols are important information for handling the system. Missing or illegible warning symbols may result in this information **not** being observed. There is a risk of injury to persons.

- ▶ Do **not** conceal, remove, or modify the symbols.
- ▶ Replace the symbols if they become illegible.

## 2.4 Accessories

The use of unsuitable accessories can affect the functionality and operational reliability of the device and have the following consequences:

- Risk of injury to persons
  - Damage, malfunctions, or failure of the system
- ▶ Only use accessories that have been approved by Sartorius (see Chapter 9, page 40).

## 2.5 Personal Protective Equipment

Personal protective equipment protects against hazards arising from the Maxicaps® MR System and the filter unit. If the personal protective equipment is missing or is unsuitable for the work processes on the system: Persons may be injured.

The following personal protective equipment must be worn:

- Protective work clothing
- Safety gloves
- Safety glasses
- Safety boots



## 2.6 Filter Unit Damage

Filter units can be damaged by impacts, e.g., falling or collision. Damaged filter units could cause injury to people.

- ▶ Do **not** use filter units after an impact; dispose of them.

## 2.7 Heavy

The filter unit is heavy. When lifting and transporting the filter units, there is a risk of injury, e.g., as a result of the filter unit dropping.

- ▶ Get help from others when lifting and transporting the device.
- ▶ Sartorius recommends the use of a suitable lifting device to lift and transport the filter unit, e.g., Lifting Gear Maxicaps® MR.

## 2.8 Lifting Gear

If using a lifting gear to transport the filter unit: People could be seriously injured if the lifting gear is used incorrectly, e.g., as a result of the filter unit dropping.

- ▶ Wear appropriate personal protective equipment.
- ▶ Fasten the lifting gear at the suitable positions (see Chapter “9 Transport”, page 40).

## 2.9 Media Under Pressure

If the system is subjected to excessive pressure, people could be injured by the bursting of tubes, connections, or other system components.

- ▶ Wear appropriate personal protective equipment.
- ▶ Do **not** exceed the maximum operating pressure (for the maximum operating pressure, see the filter unit label).
- ▶ Use a pressure monitor.
- ▶ Do **not** carry out liquid transfer processes unsupervised.

## 2.10 System Rolls Away

If the trolley accidentally rolls away by itself: The trolley could injure people.

- ▶ Only place the system on level surfaces.
- ▶ Activate the two parking brakes on the castors.

## 2.11 System Tips Over

If it tips over because it is heavy, the system could seriously injure people.

- ▶ During the filtration process or if the filter unit is full: Do **not** move the trolley.

## 3 System Description

### 3.1 System Overview

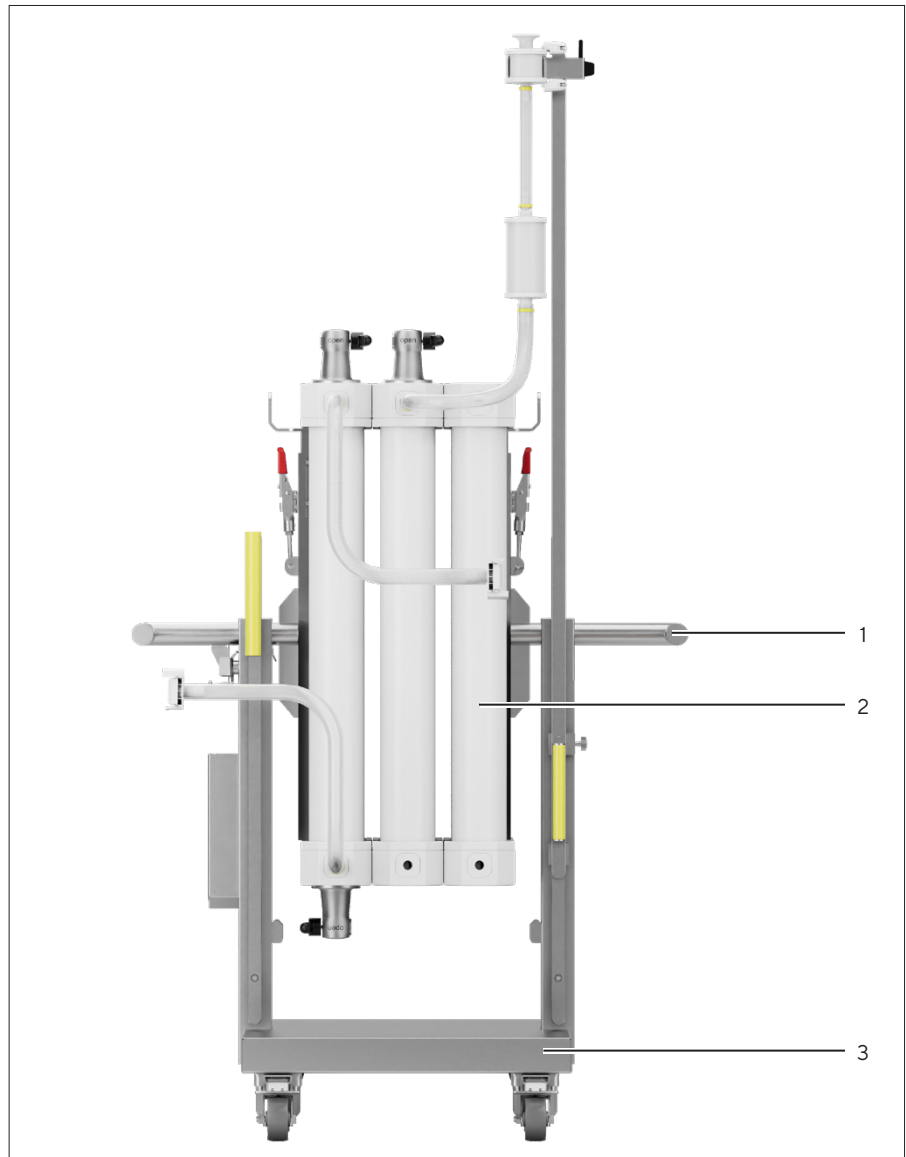


Fig.1: Maxicaps® MR System

Pos.	Name	Description
1	Handle	Attached to filter unit.
2	Filter unit	
3	Trolley	

## 3.2 Trolley with Handles

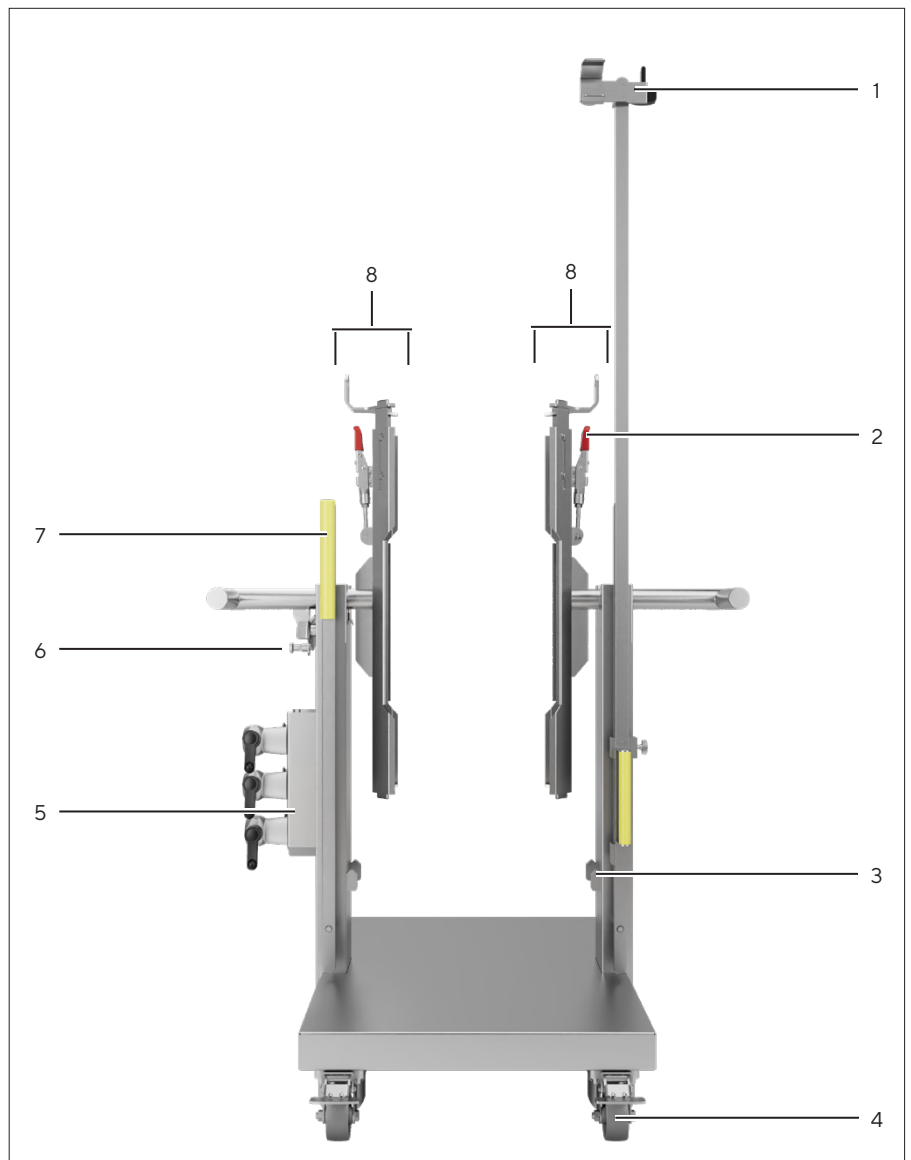


Fig.2: Trolley with suspended handles

Pos.	Name
1	Air filter holder
2	Filter unit lock
3	Handle holder
4	Castor
5	Holder for valve actuators
6	Swivel function lock
7	Trolley handle
8	Handle

### 3.3 Filter Unit

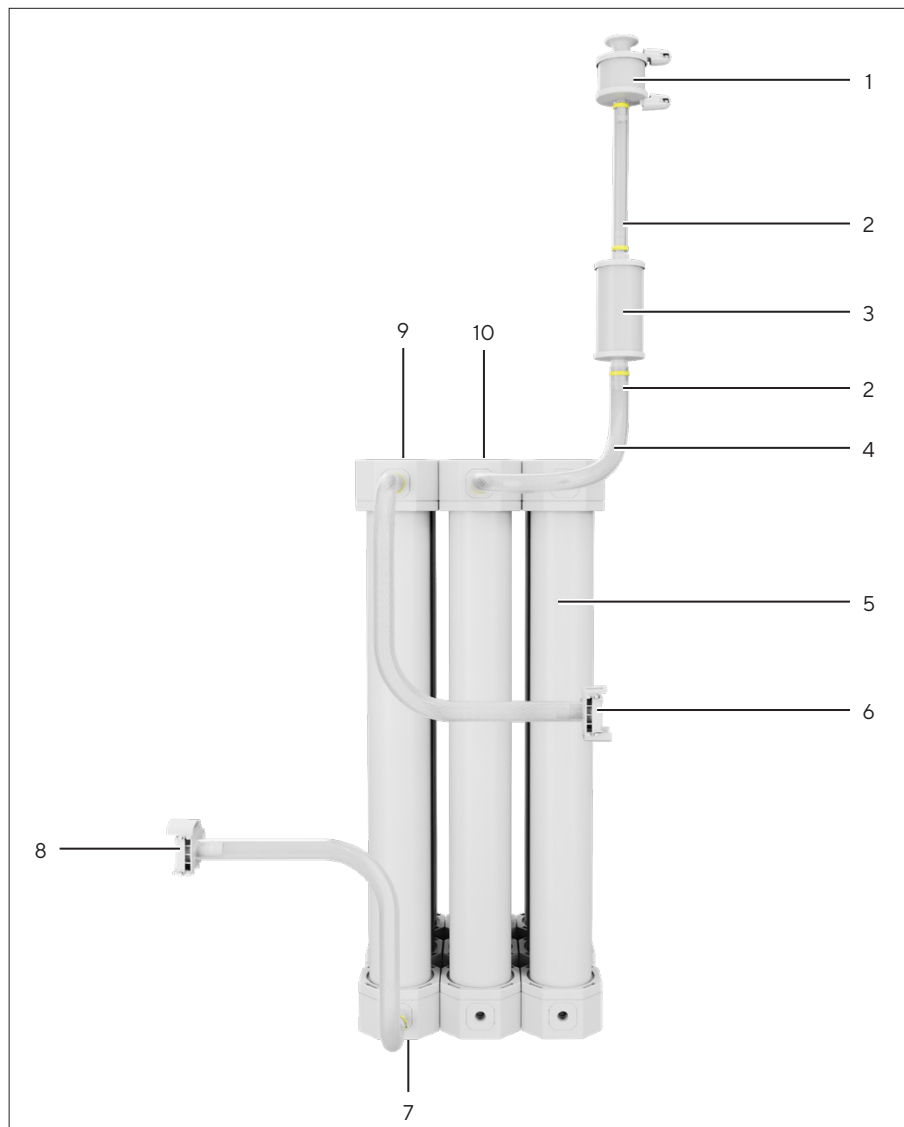


Fig.3: 9 filter unit (example)

Pos.	Name
1	Air filter (Sartopore® Air)
2	Viewing window (only Advanced versions of venting tubing set)
3	Clear tank
4	Venting tubing set
5	Filter unit
6	Inlet tube with connector (In)
7	Valve outlet
8	Outlet tube with connector (Out)
9	Inlet valve
10	Venting valve

### 3.4 Filter Unit Label

The filter unit label defines the maximum operating pressures for the filter unit inlet and outlet and for the filter integrity test. The maximum operating pressures depend on the filter unit configuration.

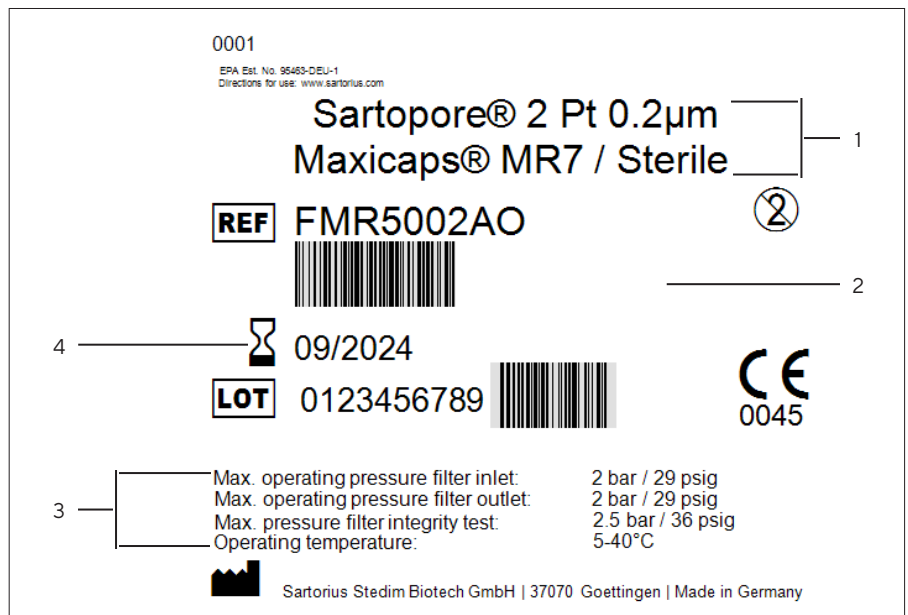


Fig. 4: Filter unit label (example)

Pos.	Name
1	Product information
2	Sterile indicator (only for sterile variants)
3	Operating parameters
4	Expiry date

### 3.5 Swivel Function

The swivel function helps you move the filter unit into an inclined position. The swivel function can be used when venting and emptying the filter unit.

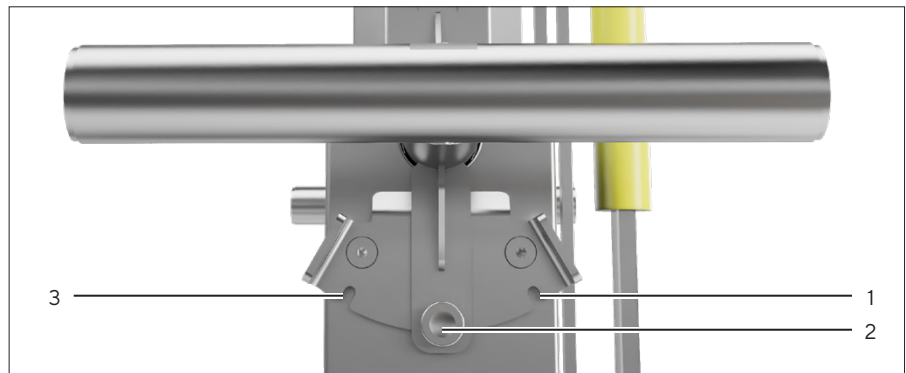


Fig. 5: Swivel function settings

Pos.	Name	Description
1	Venting position	The filter unit is swiveled approx. 30° to the left.
2	Filtration position	The filter unit is aligned vertically.
3	Emptying position	The filter unit is swiveled approx. 30° to the right.

## 3.6 Valve Actuators

The three valve actuators are used to open and close the valves in the filter unit. The valve actuators must be mounted on the filter unit.



Fig.6: Valve actuators

Pos.	Name	Description
1	Valve actuator [open]	The valve actuator lever points towards [open]. The filter unit valve is opened.
2	Valve actuator [close]	The valve actuator lever points towards [close]. The filter unit valve is closed.
3	Valve actuator lock	Fixes the valve actuator in place.

### 3.7 Protective Equipment

The pressure safety device (pressure relief with burst disc) protects the system during a filter integrity test and during the emptying process with compressed air against damage with overpressure of  $> 2.5 \text{ bar} + \text{ safety tolerance of } 0.5 \text{ bar}$ . The pressure safety device is mounted between the air filter and the filter integrity tester or compressed air connection.




Fig. 7: Pressure Safety Device

Pos.	Name
1	Connection for e.g., filter integrity tester or air filter
2	Burst disc (installed inside)



### 3.8 Warning Symbols on the System

Symbol	Meaning
<p style="text-align: center;"><b>SARTORIUS</b></p> <p><b>Attention!</b></p> <p>Check that sanitary clamps are fitted securely. If necessary, retighten clamps.</p> <p>Do not operate without installing valve drives.</p> <p>Do not exceed max. operating pressure or temperature.</p> <p>Use pressurized gas only with an installed pressure safety device.</p>	<p><b>Note</b></p> <p>Check that the hygienic clamps (only Advanced venting tubing set) are fitted securely and retighten if necessary.</p> <p>Do <b>not</b> use the system without the valve actuators installed.</p> <p>Do <b>not</b> exceed the max. operating pressure and temperature.</p> <p>Only use compressed air with the installed pressure safety device.</p>
	<p>Hand injuries: Danger of crushing when you flip the handle</p>

## 4 Installation

### 4.1 Selecting an Installation Site

#### Procedure

- ▶ Ensure that the installation conditions have been met:

Condition	Features
Ambient conditions	Suitability tested (see Chapter 12.4, page 44)
Setup surface	<ul style="list-style-type: none"> <li>– Stable and even</li> <li>– Low-vibration</li> <li>– Sufficient space for the system (for device space requirements, see Chapter 12.2, page 43)</li> <li>– Sufficient weight bearing capacity for the system, including at full capacity (see Chapter 12.1, page 42)</li> </ul>

### 4.2 Unpacking

#### 4.2.1 Unpacking Trolley and Handles

##### Requirements

Activate the two parking brakes on the castors.

##### Procedure

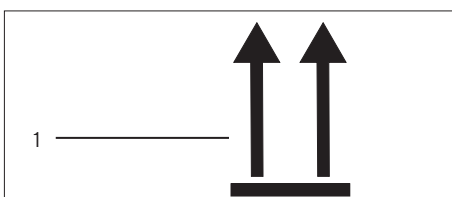
- ▶ Remove the transport packaging.
- ▶ Dispose of the transport packaging in accordance with local government regulations.

#### 4.2.2 Unpacking the Maxicaps® MR Filter Unit

Personnel: 2 people (operators)

##### Procedure

- ▶ Position the box so that the arrows (1) on the box are pointing upwards.
- ▶ Open the box upwards.
- ▶ Remove the cardboard protection.



Operator 1 and 2:

- ▶ **NOTICE** Risk of damage to the filter unit from improper handling!
  - ▶ Do **not** lift the filter unit by the tubes or plastic bags.
  - ▶ Only grip the filter unit by the filter housing and lift it out of the box.
- ▶ Put the filter unit down.
- ▶ Open and remove the secondary bag.
- ▶ Open and remove the primary bag.
- ▶ Dispose of the packaging in accordance with local government regulations.

### 4.3 Positioning and Securing the Trolley at the Installation Site

#### ⚠ CAUTION

**Danger of crushing when operating the parking brake!**

- ▶ Operate the parking brake only with your foot.
- ▶ Wear personal protective equipment.

#### ⚠ CAUTION

**Danger of crushing when moving the system manually as it could roll over parts of the body!**

- ▶ Do **not** position the system on sloping area.
- ▶ Wear personal protective equipment.

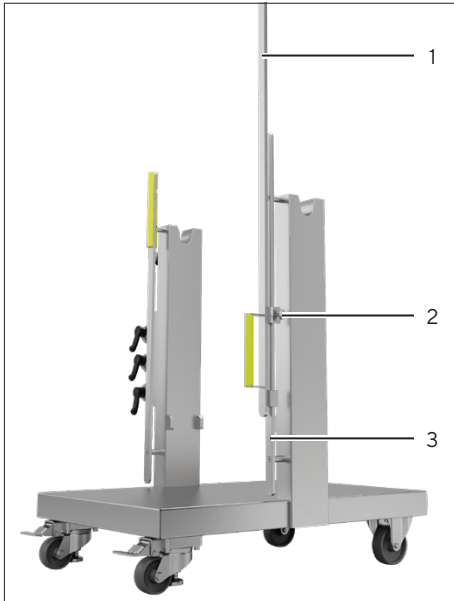
#### Procedure



- ▶ If the parking brake is activated on the castors: Release the parking brake on the castors. To do this, press the lever (1) up with the foot.
- ▶ Position the system in the desired position.
- ▶ Activate the parking brake on the castors. To do this, press down on the lever with the foot.
- ▶ The trolley is secured.

## 4.4 Mounting the System Rail Extension

### Procedure

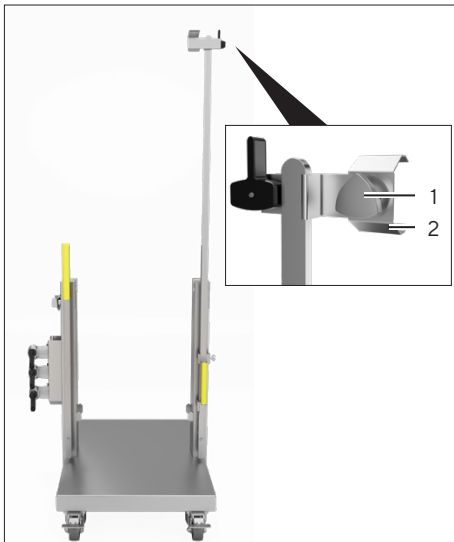


- ▶ Loosen the wing nut (2) on the system rail extension.
- ▶ Push the system rail extension (1) from above onto the stationary part of the system rail (3).
- ▶ To fasten the system rail extension: Tighten the wing nut (2) on the system rail extension.

## 4.5 Setting the Air Filter Holder

The air filter clamp on the air filter holder must be rotated 90° once so that the air filter can be fastened in the vertical position.

### Procedure



- ▶ Loosen the handle screw (1) on the air filter clamp.
- ▶ Rotate the air filter clamp (2) by 90°.
- ▶ Tighten the handle screw on the air filter clamp.

## 5 Process Preparation

### 5.1 Mounting Maxicaps® MR

Mounting is shown here using a filter element with nine filter units (MR9) as an example.

#### 5.1.1 Mounting Handles on the Filter Unit

Depending on the configuration of the filter unit (MR2 - MR9), the handles must be attached to various positions on the filter unit. Colored marking on the handles and on the filter unit show the correct position.

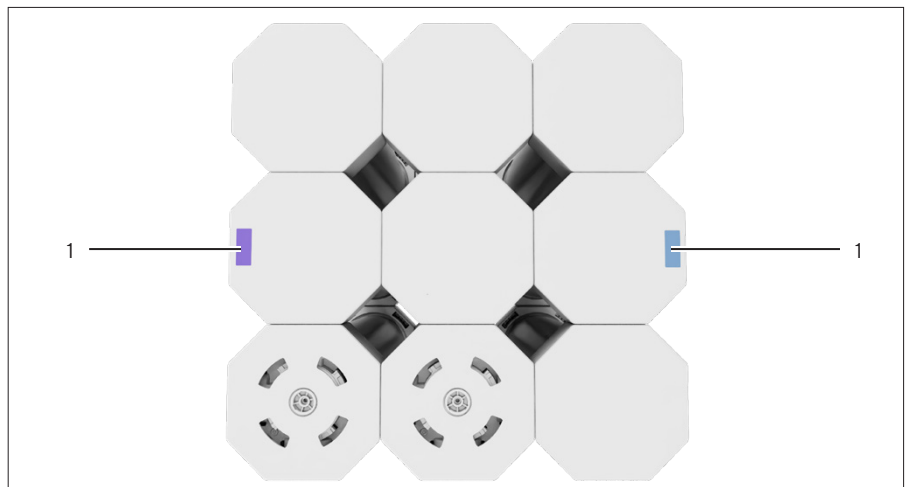


Fig. 8: Filter unit color marking - Top view

Pos.	Name	Description
1	Filter unit color marking	<ul style="list-style-type: none"> <li>Shows the correct position for mounting the handles.</li> <li>The color markings on the handles must match the color markings on the filter unit.</li> </ul>

Personnel: 2 people (operators)

#### Requirements

The filter unit is unpacked.

Procedure



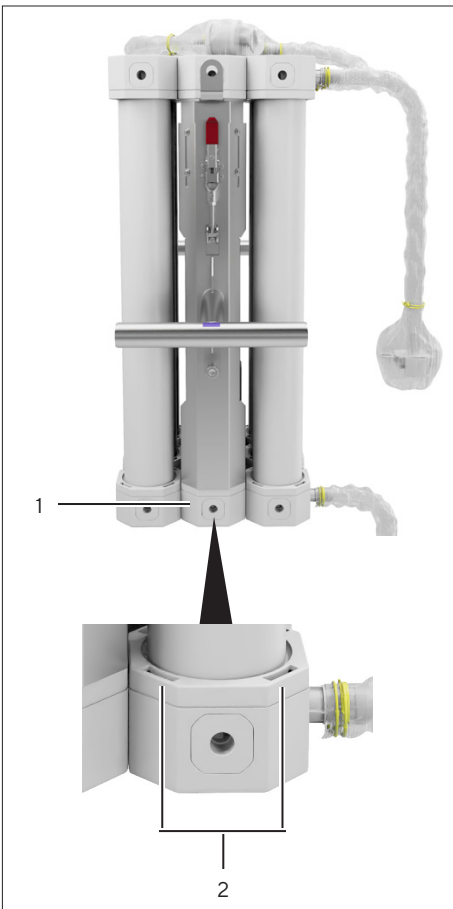
- ▶ Place the filter unit upright.
- ▷ The venting and inlet tubing set are at the top. The flow display arrow on the filter unit is pointing towards the floor.

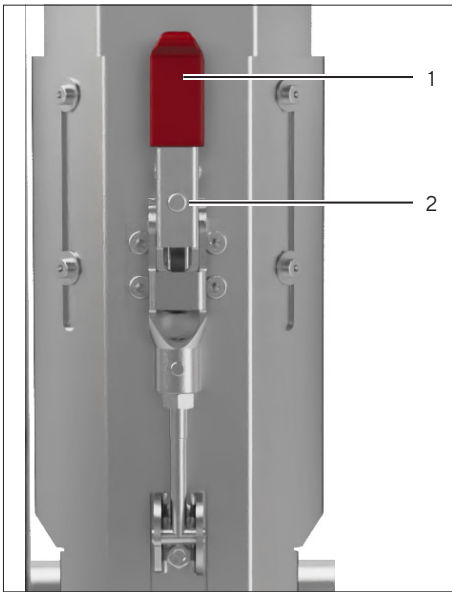
Operator 1:

- ▶ Hold the filter unit.

Operator 2:

- ▶ To install the handle with the purple marking:
  - ▶ Select the side of the filter unit with the purple marking.
  - ▶ Insert the handle in the openings (2) on the outlet plate (1).





- ▶ **⚠ CAUTION** Danger of crushing fingers when moving the lever (1)! Press the handle lock (2) and carefully move the lever downwards.
  - ▶ Position the handle flush with the filter element.
  - ▶ Move the lever (1) upwards.
  - ▶ The lock (2) engages.
  - ▶ If it is impossible to mount the handle or only when applying high pressure, check the position of the handle and modify if necessary.
- ▶ Mount the handle with the turquoise marking in the same way.

## 5.1.2 Mounting the Filter Unit on the Trolley without Flexsafe® STR Lifting Device

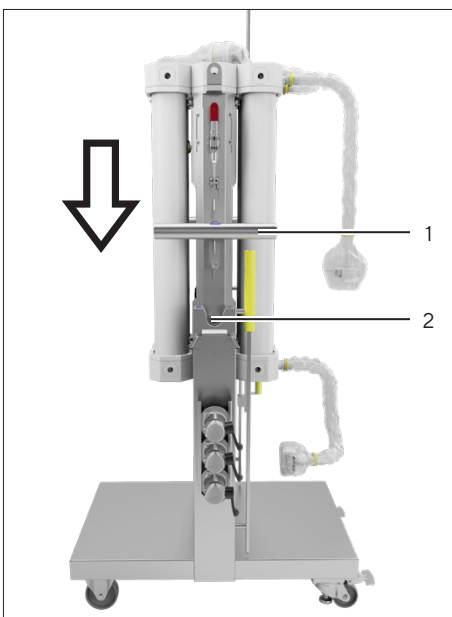
Personnel: 2 people (operators)

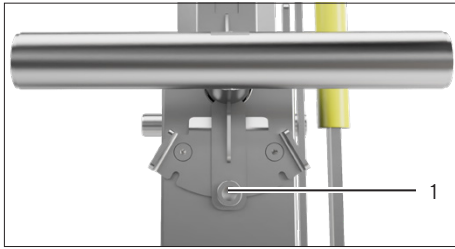
### Requirements

The handles are mounted on the filter unit.

### Procedure

- ▶ Align the filter element with the handles so that the colored markings on the handles match the colored markings on the trolley.
- ▶ Lift the filter element using the two handles (1) and place in the trolley recesses (2).

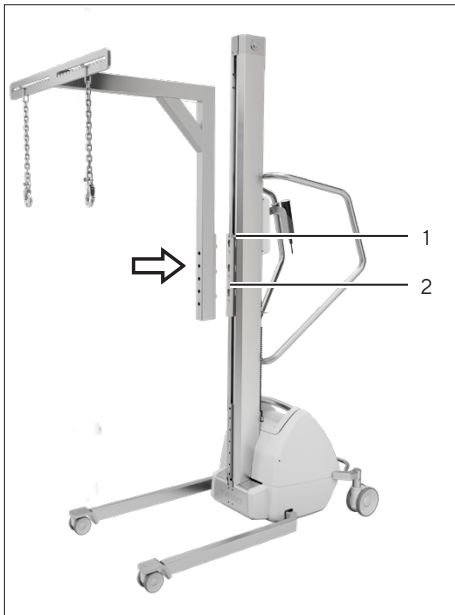




- ▶ Check that the lock for the swivel function is engaged in the filtration position (1).

### 5.1.3 Installing the Lifting Gear on the Flexsafe® STR Lifting Device

#### Procedure



- ▶ Insert the Lifting Gear in the connection element (2) of the Flexsafe® STR Lifting Device.
- ▶ Check that the bolt (1) is engaged.



## 5.1.4 Mounting the Filter Unit on the Trolley with Flexsafe® STR Lifting Device

Personnel: 2 people (operators)

Material: Lifting Gear Maxicaps® MR and Flexsafe® STR Lifting Device



Fig. 9: Lifting Gear

Pos.	Name	Description
1	Hook	Attaches the Lifting Gear to the filter unit attachment points.
2	Setting range	Used to adjust to the width of the filter unit.

### Requirements

- The handles are mounted on the filter unit.
- The trolley is positioned so that the system rail with air filter holder is aligned with the rear.
- The parking brakes are activated.

### **⚠ WARNING**

#### Risk of injury if system parts fall!

- ▶ Observe the proper procedure when mounting.

### **⚠ WARNING**

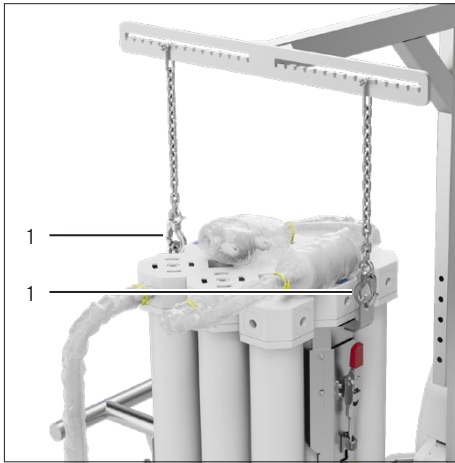
#### Risk of injury if the Flexsafe® STR Lifting Device tips over!

The Flexsafe® STR Lifting Device may tip over if the maximum load-bearing capacity is exceeded. People may be injured as a result.

- ▶ Observe the maximum load-bearing capacity of the Flexsafe® STR Lifting Device (see load chart for Flexsafe® STR Lifting Device).

Procedure

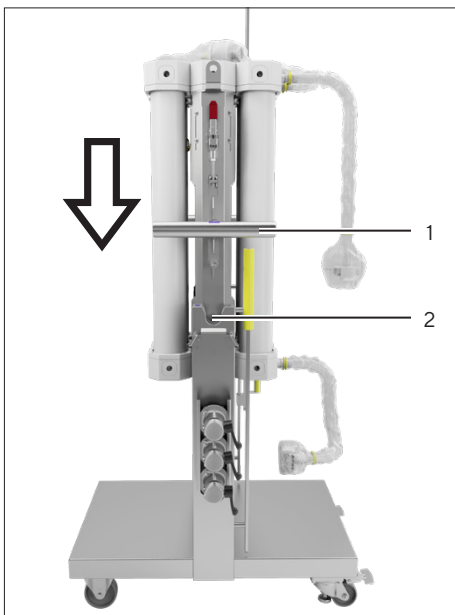
- ▶ Align the filter element with the handles in front of the trolley so that the colored markings on the handles match the colored markings on the trolley.
- ▶ Position the Flexsafe® STR Lifting Device over the filter unit.
- ▶ **⚠ WARNING** Risk of injury if the filter unit drops! Only hang the two Lifting Gear hooks in the two attachment points (eyelets) (1) on the handles.

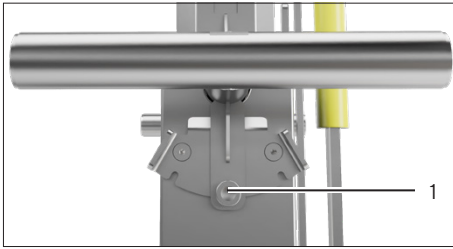


- ▶ Set the Lifting Gear to the width of the filter unit. Move the chain to a suitable opening in the Lifting Gear setting range.
- ▶ Recommendation: The chain should be positioned in the openings so that the distance to the center is as equal as possible.
- ▶ Lift the filter unit up using the Flexsafe® STR Lifting Device.
- ▶ Move the Flexsafe® STR Lifting Device over to the trolley and position it over the trolley.



- ▶ Slowly lower the filter unit. Insert the two handles (1) in the trolley recesses (2).





- ▶ Fix the lock for the swivel function in the filtration position (1).

- ▶ Release the two Lifting Gear hooks from the filter unit attachment points.

## 5.2 Mounting Valve Actuators

Three valve actuators are mounted on the filter unit:

- The inlet valve actuator on the top of the filter unit opens and closes the inlet valve.
- The venting valve actuator on the top of the filter unit opens and closes the venting valve.
- The outlet valve actuator on the bottom of the filter unit opens and closes the outlet valve.

---

### NOTICE

**The internal valve on the filter unit may be damaged by mounting the valve actuator multiple times!**

- ▶ Mount the valve actuator a maximum of three times on the same filter element valve.
- 

#### Requirement

The three valve actuators are in the [open] position.

#### Procedure

- ▶ Remove the three valve actuators from the valve holder.

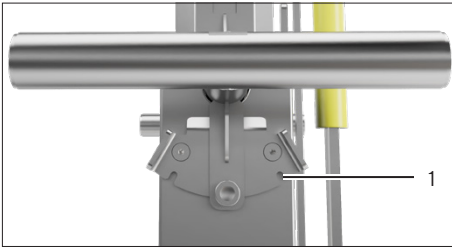
#### Filter Element with Venting Tubing Set

- ▶ To mount the venting valve actuator on the top of the filter element:
  - ▶ Pull the valve actuator lock (1) upwards and place the valve actuator on the top of the filter unit.
  - ▶ Turn the valve actuator clockwise until the lock engages.
- ▶ Check that the valve actuator is mounted correctly. The valve actuator must **not** turn counter-clockwise.
  - ▶ If required: Remount the valve actuator.
- ▶ Close the valve actuator once and open it again.
- ▷ The valve actuator connects to the valve membrane.



**Filter Element with Inlet and Outlet Tubes:**

- ▶ To mount the inlet valve actuator on the top of the filter element:
  - ▶ Pull the valve actuator lock upwards and place the valve actuator on the top of the filter unit.
  - ▶ Turn the valve actuator clockwise until the lock engages.
- ▶ Check that the valve actuator is mounted correctly. The valve actuator must **not** turn counter-clockwise.
  - ▶ If required: Remount the valve actuator.
- ▶ Close the valve actuator once and open it again.
- ▶ The valve actuator connects to the valve membrane.
- ▶ Optional: To make access to the outlet valve easier, use the swivel function to move the filter unit into the venting position (1).
- ▶ To mount the outlet valve actuator on the bottom of the filter unit, follow the same procedure as for the inlet and venting valve actuators.



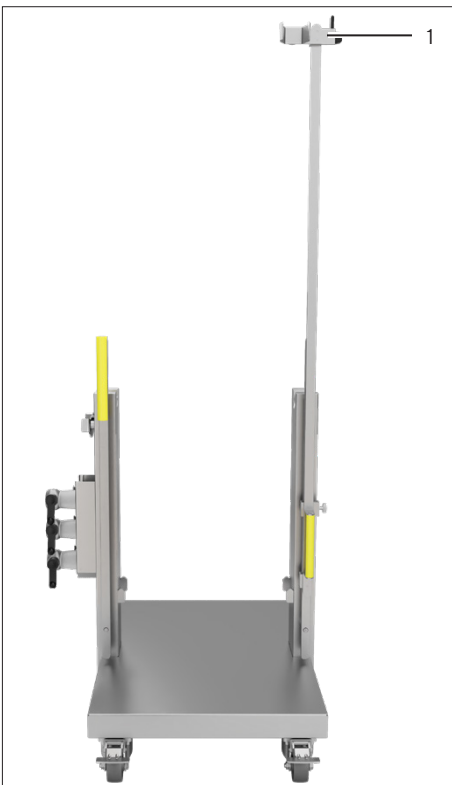
## 5.3 Mounting the Air Filter

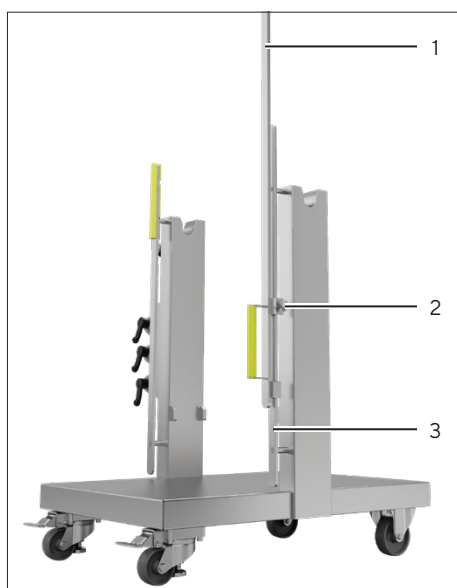
**Requirement**

The air filter holder is set so that the air filter can be mounted vertically (see Chapter “4.5 Setting the Air Filter Holder”, page 20).

**Procedure**

- ▶ Take the tube with the air filter out of the plastic bag and remove the cable ties.
- ▶ Check that the clamps on the venting tube are fitted securely.
  - ▶ If required: Tighten the clamps.
- ▶ Fix the air filter in the air filter holder (1).





- ▶ To set the system rail to a suitable height:
  - ▶ Loosen the wing nut (2) on the system rail extension.
  - ▶ Push the system rail extension (1) up using the handle (3).
  - ▶ Once you have reached the desired position, tighten the wing nut (2).
- ▶ Check that there are **no** kinks in the venting tubing set and that it has **no** slack.
  - ▶ If required: Correct the height of the system rail.

## 6 Operation

### 6.1 Filling and Venting the Filter Unit

#### Requirements

- The filter unit is in the filtration position.
- The air filter is clamped in the air filter holder.
- The valve actuators are mounted.

#### **⚠ CAUTION**

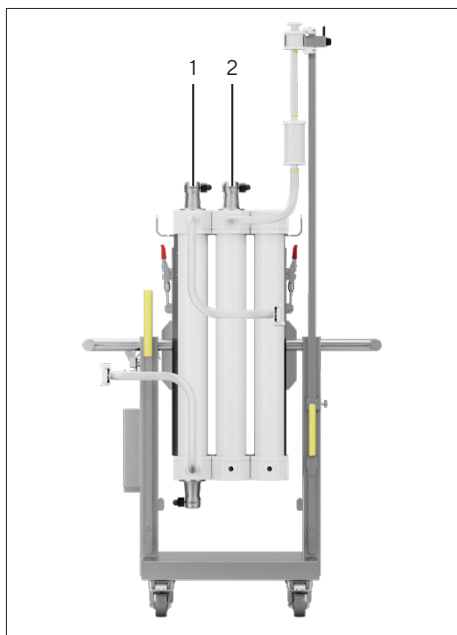
##### **Risk of injury due to escaping liquid!**

Liquid may escape if tubes burst or if there are leaks in the connection areas. People may be injured as a result.

- ▶ Observe the maximum operating pressures (see details on the filter unit label).
- ▶ If using an Advanced venting tubing set: Check that the tri-clamp connections are fitted securely and retighten if necessary.
- ▶ Use a measurement device for pressure monitoring.
- ▶ Do **not** leave the process unsupervised.

#### Procedure

- ▶ Put all valve actuators in the [close] position.
- ▶ Take the inlet tube out of the plastic bag and remove the cable ties.
- ▶ Connect the inlet tube (for connection, see connector instructions).
- ▶ Take the outlet tube out of the plastic bag and remove the cable ties.
- ▶ Connect the outlet tube (for connection, see connector instructions).
- ▶ Put the inlet valve actuator (1) and the venting valve actuator (2) in the [open] position.
- ▶ Start the filling process. Comply with the maximum flow rate of 5 L/min.
- ▷ The filter unit is filled.
- ▶ **NOTICE** The air filter is blocked if it comes into contact with liquid or foam! If the clear tank begins to fill with liquid or foam: Stop the flow rate.
- ▶ Slowly move the filter unit to and fro several times with the swivel function.
- ▶ If required: Adjust the height of the system rail with the air filter holder to prevent kinks in the venting tube.
- ▷ The rest of the air escapes through the air filter.
- ▶ If the liquid level in the clear tank drops significantly:
  - ▶ Refill with a reduced flow rate.
  - ▶ If the clear tank begins to fill with liquid or foam: Stop the flow rate.
- ▶ Put the inlet valve actuator in the [close] position.
- ▶ Put the venting valve actuator in the [close] position.
- ▷ The filter unit is filled and vented.



## 6.2 Flush Filter Unit

### Requirements

The filter unit is filled and vented.

---

### CAUTION

#### Risk of injury due to escaping liquid!

Liquid may escape if tubes burst or if there are leaks in the connection areas. People may be injured as a result.

- ▶ Observe the maximum operating pressures (see details on the filter unit).
  - ▶ If using an Advanced venting tubing set: Check that the tri-clamp connections are fitted securely and retighten if necessary.
  - ▶ Use a measurement device for pressure monitoring.
  - ▶ Do **not** leave the process unsupervised.
- 

### Procedure

- ▶ To start the flush:
  - ▶ Put the inlet valve actuator and outlet valve actuator in the [open] position.
  - ▶ Start flow rate.
- ▶ To end the flush:
  - ▶ Stop the flow rate.
  - ▶ Put the inlet valve actuator and outlet valve actuator in the [close] position.

## 6.3 Performing Filtration

### Requirement

- The filter unit is vented completely.
- Optional: A filter integrity test is carried out.
- The inlet and outlet tubes are connected.

---

### CAUTION

#### Risk of injury due to escaping liquid!

Liquid may escape if tubes burst or if there are leaks in the connection areas. People may be injured as a result.

- ▶ Observe the maximum operating pressures (see details on the filter unit).
  - ▶ If using an Advanced venting tubing set: Check that the tri-clamp connections are fitted securely and retighten if necessary.
  - ▶ Use a measurement device for pressure monitoring, e.g., Sartorius Sensor Transfer Sets.
  - ▶ Do **not** leave the process unsupervised.
- 

### Procedure

- ▶ To start the filtration process:
  - ▶ Check that the venting valve actuator is in the [close] position.
  - ▶ Put the inlet valve actuator in the [open] position.
  - ▶ Put the outlet valve actuator in the [open] position.
  - ▶ Start the filtration flow rate.
  - ▶ The filtration process starts.
  
- ▶ To end the filtration process:
  - ▶ Stop the filtration flow rate.
  - ▶ Put the inlet valve actuator and outlet valve actuator in the [close] position.

## 6.4 Performing a Filter Integrity Test

A filter integrity test can be carried out before a filtration process and after a filtration process: The limit values for the filter integrity test and the test parameters are specified in the Maxicaps MR data sheet.

- Material:
- Pressure Safety Device
  - Tri-clamp ½"
  - Filter integrity tester, e.g., Sartocheck 5
  - If required: External reference tank (net volume > 13 L)

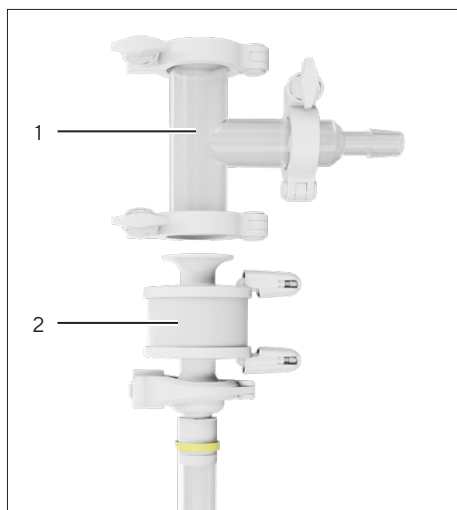


### Requirement

- The filter unit is suitable for a filter integrity test.
- The outlet tube is depressurized.

### Procedure

- ▶ Check that all three valve actuators are in the [close] position.
- ▶ Push the system rail extension down with the air filter holder and remove the air filter.
- ▶ Connect the air filter (2) and pressure safety device (1) with the tri-clamp.
- ▶ Connect the filter integrity tester with the pressure safety device.
- ▶ Clamp the clear tank in the air filter holder.
- ▶ Check that there are **no** kinks in the tubes.
- ▶ Move the filter unit into the emptying position.
- ▶ Put the venting valve actuator and outlet valve actuator in the [open] position.
- ▶ Define the parameters in the filter integrity tester (for parameters, see Chapter 12.5, page 44).
- ▶ Start the diffusion program on the filter integrity tester (see filter integrity tester instructions).
- ▷ The filter unit empties.
- ▶ When the filter integrity test ends:
  - ▶ Put the venting valve actuator in the [close] position.
  - ▶ Put the outlet valve actuator in the [close] position.
- ▶ Uninstall the filter integrity tester from the pressure safety device.
- ▶ Uninstall the safety pressure device from the air filter and keep it in a secure place.



## 6.5 Emptying the Filter Unit

### 6.5.1 Gravimetric Emptying of the Filter Unit

#### Requirements

- The filtration process is ended.
- The system is **not** under pressure.

#### Procedure

- ▶ Move the filter unit into the emptying position.
- ▶ If required: Adjust the height of the system rail with the air filter holder to prevent kinks in the venting tube.
- ▶ Put the venting valve actuator in the [open] position.
- ▶ Put the outlet valve actuator in the [open] position.
- ▷ The filter unit empties.
- ▶ Once no more liquid is flowing out of the filter unit: Put the outlet valve actuator and venting valve actuator in the [close] position.

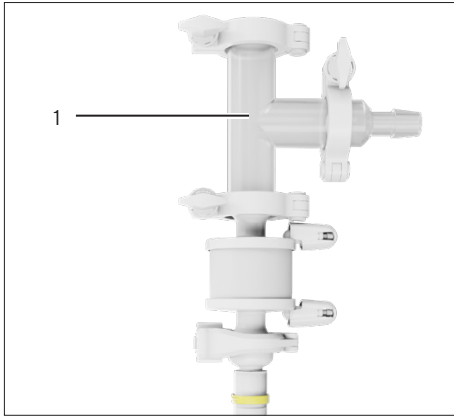
## 6.5.2 Empty the Filter Unit with Compressed Air

### Requirements

- The filtration process is ended.
- The system is **not** under pressure.

### Procedure

- ▶ Push the system rail extension down with the air filter holder and remove the air filter.
- ▶ Connect the air filter and pressure safety device with the tri-clamp.
- ▶ Connect the compressed air supply to the pressure safety device (1).
- ▶ Check that the inlet valve actuator is in the [close] position.
- ▶ Move the filter unit into the emptying position.
- ▶ Put the outlet valve actuator in the [open] position.
- ▶ Ensure that there are no kinks in the venting tubing.
- ▶ Pressurize the system with a maximum of 0.5 bar.
- ▶ Monitor pressurization during the emptying process.
- ▷ The filter unit empties.
- ▶ Once no more liquid is flowing out of the filter unit:
  - ▶ Close the compressed air supply.
  - ▶ Put the venting valve actuator in the [close] position.
  - ▶ Put the outlet valve actuator in the [close] position.



## 6.6 Disconnect the Connections and Valve Actuators from the Filter Unit

### Requirements

- The filtration process is ended.
- The filter unit is empty.
- The system is **not** under pressure.

### Procedure

- ▶ Put all three valve actuators in the [open] position.
- ▶ Disconnect the inlet and outlet tubing, e.g., with Clipster® or BioSealer®.
- ▶ Loosen the three valve actuators. Lift the lock (1), turn the valve actuator counter-clockwise, and remove.
- ▶ Keep the three valve actuators safe in the valve holder on the trolley.



## 6.7 Mounting the Filter Unit and Handles without Flexsafe® STR Lifting Device

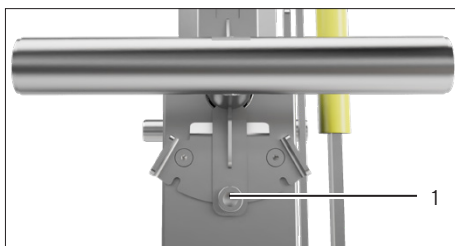
Personnel: 2 people (operators)

### Requirements

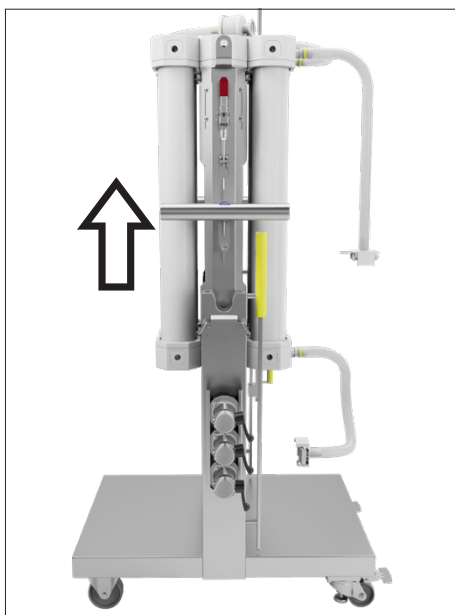
- The air filter is **not** in the air filter holder.
- The connections and valve actuators are disconnected from the filter unit.
- The filter unit is in the filtration position.

### Procedure

- ▶ Loosen the lock (1) for the swivel function.

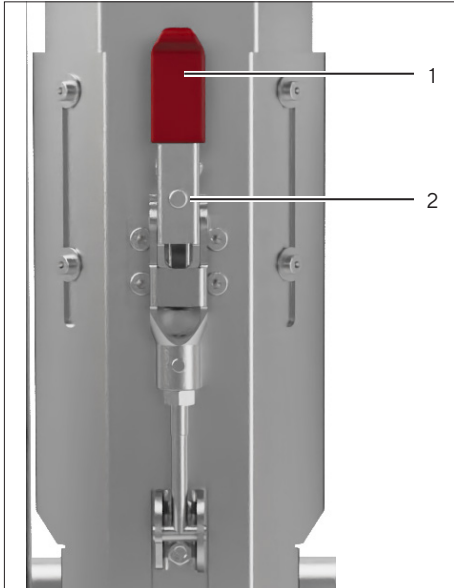


- ▶ Lift the filter element up out of the trolley holder using the two handles and put it down carefully.



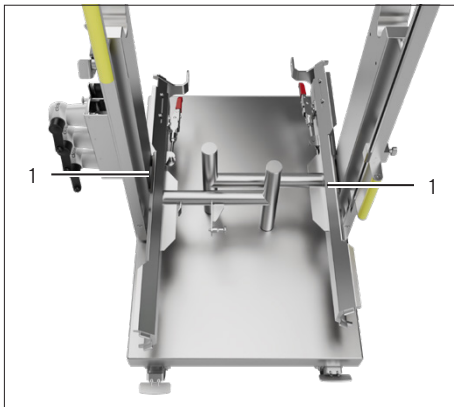
Operator 1:

- ▶ Hold the filter unit.



Operator 2:

- ▶ **⚠ CAUTION** Danger of crushing fingers when moving the lever (1)! Press the handle lock (2) and carefully move the lever downwards.
- ▶ Carefully lift the handle up and off and put it down.
- ▶ Move the lever (1) upwards.
- ▷ The lock (2) engages.
- ▶ Dismount the second handle in the same way.
- ▶ Dispose of the filter unit (see Chapter "10 Storage and Shipping", page 41).



- ▶ Hang the two handles on the two holders (1) on the inside of the trolley.

## 6.8 Dismounting the Filter Unit and Handles with Flexsafe® STR Lifting Device

The filter units can be very heavy after the filtration process. It is recommended to transport the filter unit with a Sartorius Flexsafe® STR Lifting Device.

Personnel: 2 people (operators)

Material: Lifting Gear Maxicaps® MR and Flexsafe® STR Lifting Device

### Requirements

- The air filter is **not** in the air filter holder.
- The connections and valve actuators are disconnected from the filter unit.
- The filter unit is in the filtration position.
- The Lifting Gear is installed on the Flexsafe® STR Lifting Device (see Flexsafe® STR Lifting Device instructions).

**⚠ WARNING**

Risk of injury if system parts fall!

- ▶ Observe the proper procedure when dismantling.

**⚠ WARNING**

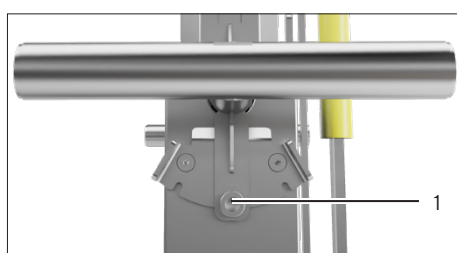
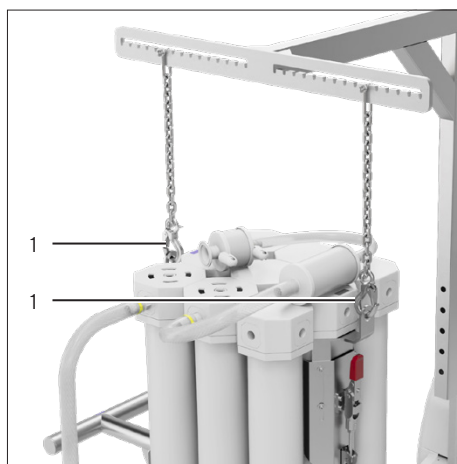
Risk of injury if the Flexsafe® STR Lifting Device tips over!

The Flexsafe® STR Lifting Device may tip over if the maximum load-bearing capacity is exceeded. People may be injured as a result.

- ▶ Observe the maximum load-bearing capacity of the Flexsafe® STR Lifting Device (see load chart for Flexsafe® STR Lifting Device).
- ▶ **Only** lift the filter unit when empty.
- ▶ **Only** lift the filter unit when the lock between the handle and trolley has been released.

### Procedure

- ▶ Move the Flexsafe® STR Lifting Device to the back of the Maxicaps® MR and position it so that the Lifting Gear is as close to the center of the filter unit as possible.
- ▶ **⚠ WARNING** Risk of injury if the Lifting Gear is positioned incorrectly! Only hang the two Lifting Gear hooks in the two attachment points (eyes) (1) on the handles.
- ▶ Set the lifting gear to the width of the filter unit. Move the chain to a suitable opening in the lifting gear.
- ▶ Recommendation: The chain should be positioned in the openings so that the distance to the center is as equal as possible.



- ▶ Loosen the lock (1) for the swivel function with one hand.
- ▶ With the other hand, lift the handle slightly so that the lock does not re-engage immediately.

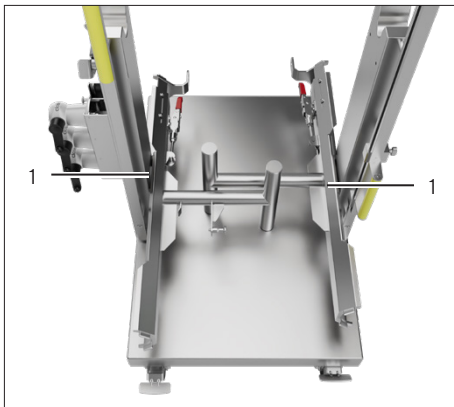
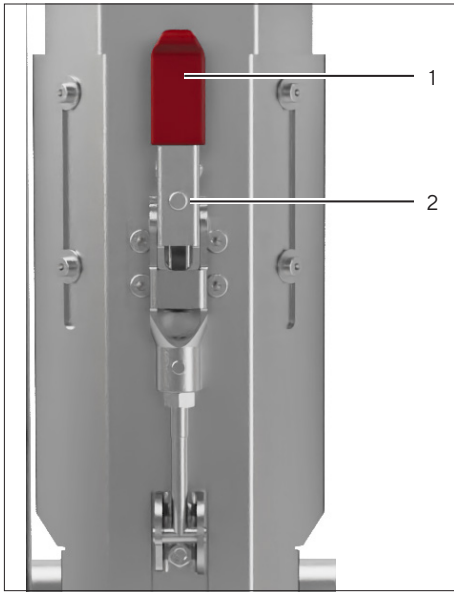
- ▶ Using the Flexsafe® STR Lifting Device, lift the filter unit far enough so that the filter unit can be lifted above the trolley. Ensure that the hooks do not get tangled.
- ▶ Put the filter unit down in a suitable place.
- ▶ If required: When putting it down, correct the position of the filter unit so that it is not on the extender of the Flexsafe® STR Lifting Device.
- ▶ Release the two lifting gear hooks from the filter unit attachment points.

Operator 1:

- ▶ Hold the filter unit.

Operator 2:

- ▶ Press the lock (2) and move the lever (1) downwards.
- ▶ Carefully lift the handle up and off and put it down.
- ▶ Move the lever (1) upwards.
- ▷ The lock (2) engages.
- ▶ Dismount the second handle in the same way.
- ▶ Dispose of the filter unit (see Chapter "10 Storage and Shipping", page 41).



- ▶ Hang the two handles on the two holders (1) on the inside of the trolley.

## 7 Cleaning

### 7.1 Cleaning Trolley and Handles

#### Requirements

The filtration process is ended.

#### Procedure

- ▶ Only use suitable cleaning agents and observe the product information for the cleaning agent used (for cleaning agent, see Chapter 12.11, page 45).
- ▶ Wipe the trolley and handles with a slightly damp cloth. In the case of more heavy contamination, use a mild soapy solution or a suitable cleaning agent.

## 8 Malfunctions

Malfunction	Cause	Solution	Chapter, Page	Target Group
The air filter is blocked.	Liquid or foam has got into the air filter.	Dispose of the filter unit.	11.1, 41	Operator
During the filter integrity test, no pressure is established.	The burst disc in the pressure safety device is defective.	<ul style="list-style-type: none"> <li>– Dispose of the defective pressure safety device.</li> <li>– Use a new pressure safety device.</li> </ul>		Operator
The filter integrity test was <b>failed</b> .	Filter unit moistening inadequate.	<ul style="list-style-type: none"> <li>– Flush the filter unit again.</li> <li>– Repeat the filter integrity test.</li> </ul>	6.2, 31 and 6.4, 32	Operator
Inlet pressure is above the permissible operating pressure.	The inlet and   or outlet valve actuator is closed.	Open the inlet and   or outlet valve actuator.		Operator
	The air filter is blocked.	Dispose of the filter unit.		
	The filter unit is blocked	Dispose of the filter unit.		

## 9 Transport

### Requirements

- The filtration process is ended.
- The filter unit and lift handles are dismantled.

---

### **⚠ CAUTION**

#### **Danger of crushing when operating the parking brake!**

- ▶ Operate the parking brake only with your foot.
- ▶ Wear personal protective equipment.

---

### **⚠ CAUTION**

#### **Danger of crushing when moving the system manually as it could roll over parts of the body!**

- ▶ Do **not** position the system on sloping area.
  - ▶ Wear personal protective equipment.
- 

### Procedure

- ▶ Move the system rail extension with the air filter holder into the lowest position.
- ▶ Release the parking brake on the castors. To do this, press the lever (1) up with the foot.
- ▶ Push the trolley to the desired position with the handles.





# 10 Storage and Shipping

## 10.1 Storing Trolley and Handles

### Procedure

- ▶ Cleaning Trolley and Handles.
- ▶ Store the system according to the ambient conditions (see Chapter 12.4, page 44).

## 10.2 Returning the System and Parts

Defective parts can be returned to Sartorius. Returned parts must be clean, decontaminated, and properly packed.

Transport damage as well as measures for subsequent cleaning and disinfection of the parts by Sartorius shall be charged to the sender.

Parts contaminated with hazardous materials, e.g., harmful biological or chemical substances, will **not** be accepted for repair or disposal.

### Procedure

- ▶ Contact Sartorius Service for return instructions (please refer to [www.sartorius.com](http://www.sartorius.com)).
- ▶ Pack the parts properly for return.

# 11 Disposal

## 11.1 Disposing of the System and Parts

The system and its accessories must be disposed of properly by disposal facilities.

### Requirements

The system is decontaminated.

### Procedure

- ▶ Dispose of the system parts in accordance with local government regulations.
- ▶ Dispose of the packaging in accordance with local government regulations.

## 12 Technical Data

### 12.1 Weights

#### 12.1.1 Filter Unit Weight

Maxicaps® MR	Value	Total Weight, Dry, without Packaging*	Total Weight, Dry, with Packaging*	Total Weight, Filled*	Total Weight, Empty (After IT Test at 2.5 bar)*
MR2	kg	7	9	14	8
MR3	kg	10	13	21	11
MR4	kg	12	15	27	14
MR5	kg	15	18	33	17
MR6	kg	18	21	41	21
MR7	kg	20	24	46	23
MR8	kg	23	27	52	27
MR9	kg	26	29	60	30

\* The values are intended to be rough guides. The actual values depend on multiple factors (e.g., filter batch, tube configuration, fill level when venting) and may deviate from the values specified here. The values were calculated using Sartopore® 2 as an example; 0.2 µm, (inlet | outlet per 1.5 m TuFlux® TPE + TC connector)

#### 12.1.2 Multi-Use Components Weight

	Unit	Value
Trolley	kg	64
Handle (per side)	kg	4
Valve actuator	kg	2
Lifting gear & arm	kg	11

## 12.2 Maxicaps® MR Total System Dimensions

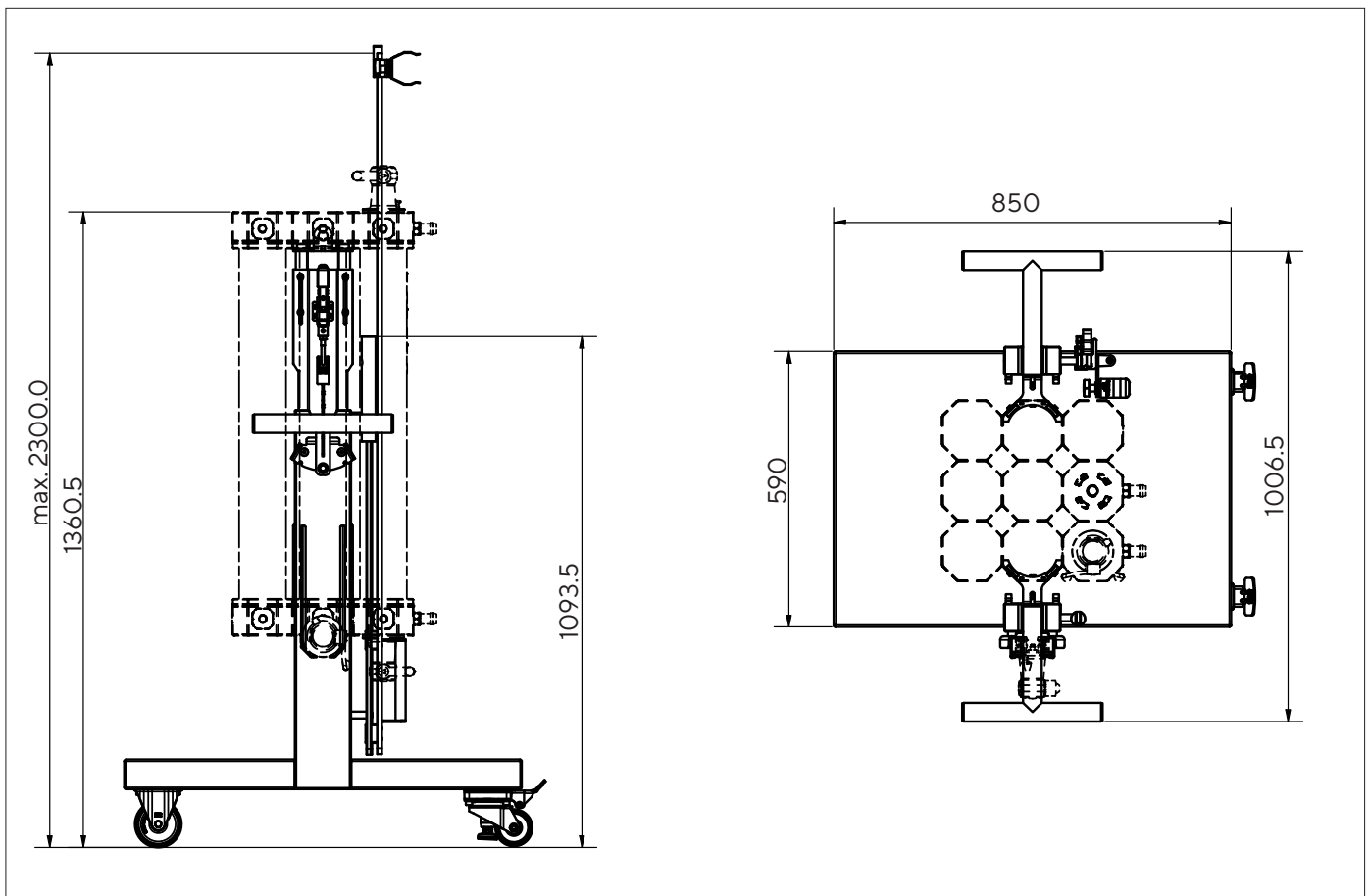


Fig.10: Total System Dimensions in mm

## 12.3 Filter Unit Total Volumes

Maxicaps® MR	Value	Total Volume (Upstream Volume)
MR2	L	7
MR3	L	10
MR4	L	13
MR5	L	15
MR6	L	18
MR7	L	21
MR8	L	24
MR9	L	26

\* The values are intended to be rough guides and may deviate from the values specified here. The values were calculated using Sartopore® 2 as an example; 0.2 µm, (inlet | outlet per 1.5 m TuFlux® TPE + TC connector)

## 12.4 Ambient and Storage Conditions

	Unit	Value
Temperature		
Operation, storage, transport	°C	+5 – +40
During filter integrity test	Constant ambient temperature	
Relative humidity (operation, storage, transport)	%	< 85

## 12.5 Filter Integrity Test Parameters

	Unit	Value
Permissible gases		Compressed air, nitrogen
Pressure, maximum*	bar	2.5

\* Filter-specific test parameters, see data sheet

## 12.6 Parameters for Emptying the Filter Unit with Compressed Air

	Unit	Value
Pressure, maximum	bar	0.5

## 12.7 Maximum Operating Time Per Filter Unit

	Unit	Value
Time	h	48
Pressure cycles (one pressure cycle = $\Delta p > 20\%$ )		500

## 12.8 Trolley, Valve Actuators and Handle Service Life

	Unit	Value
Service Life	a	8

## 12.9 Permitted Filter Units

Maxicaps MR® filter unit type FMRxxxxx\*

\* depending on the configuration

## 12.10 Multi-use Component Materials

---

	Material
Trolley	Stainless steel
Handles	Stainless steel

---

## 12.11 Cleaning Agents and Cleaning Procedures

---

### Cleaning agents

---

**No** corrosive or scouring components

---

**No** chlorine or chloride-containing components

---

**No** solvents

---

### Cleaning procedures

---

**No** high-pressure cleaners or steam jet cleaners

---

**No** spraying processes for cleaning or disinfection

---

## 13 Accessories

This table contains a selection of the accessories that can be ordered. For information on other products, please contact Sartorius.

Article	Quantity	Order Number
Pressure Safety Device	1	26787---PS
Flexsafe® STR 500 - 1000 Lifting Device (Tawi)	1	DZ-----LT2
Flexsafe® STR 2000 Lifting Device (Tawi)	1	DZ-----LT1

## 14 Sartorius Service

Sartorius Service is at your disposal for queries regarding the system. Please visit the Sartorius website ([www.sartorius.com](http://www.sartorius.com)) for information about the service addresses, services provided, or to contact a local representative.

For inquiries about the system or when contacting Sartorius Service in the event of a malfunction, ensure that you have the system information, e.g., serial number, close at hand so you can pass it on to Sartorius Service. To do this, refer to the information on the manufacturer's ID label.

## 15 Conformity Documents

The attached documents declare the conformity of the device with the designated directives or standards.

# Inhalt

<b>1</b>	<b>Über diese Anleitung</b>	<b>49</b>
1.1	Gültigkeit	49
1.2	Mitgelte Dokumente	49
1.3	Zielgruppen	49
1.4	Darstellungsmittel	50
1.4.1	Warnhinweise in Handlungsbeschreibungen	50
1.4.2	Weitere Darstellungsmittel	50
<b>2</b>	<b>Sicherheitshinweise</b>	<b>51</b>
2.1	Bestimmungsgemäße Verwendung	51
2.1.1	Modifikationen am System	51
2.1.2	Personalqualifikation	52
2.2	Sicherheitseinrichtungen	52
2.3	Sicherheitsinformationen am System	52
2.4	Zubehör	52
2.5	Persönliche Schutzausrüstung	52
2.6	Beschädigung der Filtereinheit	53
2.7	Hohes Gewicht	53
2.8	Hebezeug	53
2.9	Unter Druck stehende Medien	53
2.10	Wegrollen des Systems	53
2.11	Umkippen des Systems	54
<b>3</b>	<b>Systembeschreibung</b>	<b>55</b>
3.1	Systemübersicht	55
3.2	Trolley mit Hebegriffen	56
3.3	Filtereinheit	57
3.4	Label Filtereinheit	58
3.5	Schwenkfunktion	59
3.6	Ventilantriebe	60
3.7	Sicherheitseinrichtungen	61
3.8	Symbole am System	62
<b>4</b>	<b>Installation</b>	<b>63</b>
4.1	Aufstellort wählen	63
4.2	Auspacken	63
4.2.1	Trolley und Hebegriffe auspacken	63
4.2.2	Filtereinheit Maxicaps® MR auspacken	63
4.3	Trolley am Aufstellort positionieren und sichern	64
4.4	Systemschienen-Verlängerung montieren	65
4.5	Luftfilterhalter einstellen	65
<b>5</b>	<b>Prozessvorbereitung</b>	<b>66</b>
5.1	Maxicaps® MR montieren	66
5.1.1	Hebegriffe an Filtereinheit montieren	66
5.1.2	Filtereinheit an Trolley ohne Flexsafe® STR Lifting Device montieren	68
5.1.3	Lifting Gear am Flexsafe® STR Lifting Device installieren	69
5.1.4	Filtereinheit an Trolley mit Flexsafe® STR Lifting Device montieren	70
5.2	Ventilantriebe montieren	72
5.3	Luftfilter montieren	73

<b>6</b>	<b>Bedienung</b> .....	<b>75</b>
6.1	Filtereinheit befüllen und entlüften .....	75
6.2	Filtereinheit spülen .....	76
6.3	Filtration durchführen .....	77
6.4	Filter-Integritätstest durchführen .....	77
6.5	Filtereinheit entleeren .....	78
6.5.1	Filtereinheit gravimetrisch entleeren .....	78
6.5.2	Filtereinheit mit Druckluft entleeren .....	79
6.6	Anschlüsse und Ventilantriebe von der Filtereinheit trennen .....	79
6.7	Filtereinheit und Hebegriffe ohne Flexsafe® STR Lifting Device montieren ....	80
6.8	Filtereinheit und Hebegriffe mit Flexsafe® STR Lifting Device demontieren.....	81
<b>7</b>	<b>Reinigung</b> .....	<b>84</b>
7.1	Trolley und Hebegriffe reinigen .....	84
<b>8</b>	<b>Störungen</b> .....	<b>84</b>
<b>9</b>	<b>Transport</b> .....	<b>85</b>
<b>10</b>	<b>Lagerung und Versand</b> .....	<b>86</b>
10.1	Trolley und Hebegriffe lagern .....	86
10.2	System und Teile zurücksenden .....	86
<b>11</b>	<b>Entsorgung</b> .....	<b>86</b>
11.1	System und Teile entsorgen .....	86
<b>12</b>	<b>Technische Daten</b> .....	<b>87</b>
12.1	Gewichte .....	87
12.1.1	Gewichte Filtereinheit .....	87
12.1.2	Gewichte Multi-use-Komponenten .....	87
12.2	Maße Gesamtsystem Maxicaps® MR .....	88
12.3	Gesamtvolumen Filtereinheit .....	88
12.4	Umgebungs- und Lagerbedingungen .....	89
12.5	Parameter Filter-Integritätstest .....	89
12.6	Parameter für das Entleeren der Filtereinheit mit Druckluft .....	89
12.7	Maximale Betriebsdauer pro Filtereinheit .....	89
12.8	Lebensdauer Trolley, Ventilantriebe und Hebegriffe .....	89
12.9	Zugelassene Filtereinheiten .....	89
12.10	Werkstoffe Multi-use-Komponenten .....	90
12.11	Reinigungsmittel und Reinigungsverfahren .....	90
<b>13</b>	<b>Zubehör</b> .....	<b>91</b>
<b>14</b>	<b>Sartorius Service</b> .....	<b>91</b>
<b>15</b>	<b>Dokumente zur Konformität</b> .....	<b>91</b>



# 1 Über diese Anleitung

## 1.1 Gültigkeit

Diese Anleitung ist Teil des Systems, sie muss vollständig gelesen und aufbewahrt werden. Die Anleitung gilt für das System in den folgenden Ausführungen:

System und Zubehör	Materialnummer
Trolley	FIA500010
Hebegriffe	FIA500011
Lifting Gear	FIA500012
Ventilantrieb	FIA500013
Pressure Safety Device	26787---PS
Filtereinheit Maxicaps® MR, single-use	FMR5xxxxx*

\* abhängig von der Konfiguration

## 1.2 Mitgeltende Dokumente

- ▶ Ergänzend zu dieser Anleitung folgende Dokumentationen beachten:
  - Anleitung Filter-Integritätstestgerät, z. B. Sartocheck® 5
  - Anleitung für TAWI-Hebegeräte (Flexsafe® STR Lifting Device)
  - Anleitung der Konnektoren
  - Datenblatt Maxicaps® MR

## 1.3 Zielgruppen

Die Anleitung richtet sich an die folgenden Zielgruppen. Die Zielgruppen müssen über die genannten Kenntnisse verfügen.

Zielgruppe	Kenntnisse und Qualifikationen
Bediener	Der Bediener ist mit dem System und den damit verbundenen Arbeitsprozessen vertraut. Der Bediener kennt die Gefahren, die bei Arbeiten mit dem System auftreten können, und kann diese Gefahren vermeiden.

## 1.4 Darstellungsmittel

### 1.4.1 Warnhinweise in Handlungsbeschreibungen

---

#### **WARNUNG**

Kennzeichnet eine Gefährdung, die Tod oder schwere Verletzungen zur Folge haben kann, wenn sie **nicht** vermieden wird.

---

#### **VORSICHT**

Kennzeichnet eine Gefährdung, die eine mittelschwere oder leichte Verletzungen zur Folge haben kann, wenn sie **nicht** vermieden wird.

---

#### **ACHTUNG**

Kennzeichnet eine Gefährdung, die Sachschäden zur Folge haben kann, wenn sie **nicht** vermieden wird.

---

### 1.4.2 Weitere Darstellungsmittel

- ▶ Handlungsanweisung: Beschreibt Tätigkeiten, die ausgeführt werden müssen. Die Tätigkeiten in Handlungsabfolgen müssen nacheinander ausgeführt werden.
- ▷ Ergebnis: Beschreibt das Ergebnis der ausgeführten Tätigkeiten.

#### **Abbildungen in dieser Anleitung**

Abhängig von der Systemkonfiguration können die Abbildungen des Systems vom gelieferten System geringfügig abweichen. In dieser Anleitung gezeigte Varianten sind Beispiele.

## 2 Sicherheitshinweise

### 2.1 Bestimmungsgemäße Verwendung

Maxicaps® MR ist ein System für die Filtration von Flüssigkeiten auf Wasserbasis und für die Durchführung von Filter-Integritätstests. Das System besteht aus den Multi-use-Komponenten Trolley, Hebegriffe und Ventilantriebe und aus einer Single-use-Filtereinheit. Die Single-use-Filtereinheit muss für das System geeignet sein (zugelassene Filtereinheiten siehe Kapitel 12.9, Seite 89):

Mit dem System dürfen folgende Prozesse **nicht** durchgeführt werden:

- Filtrationsprozesse mit biologischen Arbeitsstoffen der Sicherheitsklasse 3 oder 4 (gemäß EU 2000/54/EG)
- Filtrationsprozesse mit Gefahrstoffen nach GefStoffV

Das System ist ausschließlich für den Einsatz gemäß dieser Anleitung bestimmt. Jede weitere Verwendung gilt als **nicht** bestimmungsgemäß.

#### Vorhersehbare Fehlanwendungen

Folgende Anwendungen sind **nicht** zulässig:

- Verwendung für andere Prozesse, die nicht explizit freigegeben sind
- Verwendung als Steighilfe
- Verwendung der Single-Use-Filtereinheit als Abstellfläche
- Verwendung des Trolleys als Transportwagen
- Verwendung des Systems für die Filtration von Gasen (Ausnahme Filter-Integritätstest)

#### Einsatzbedingungen für das System

Das System **nicht** in explosionsgefährdeten Umgebungen einsetzen. Das System nur in Gebäuden verwenden.

Das System nur mit den Ausstattungen und unter den Betriebsbedingungen einsetzen, die in den technischen Daten dieser Anleitung beschrieben sind.

#### 2.1.1 Modifikationen am System

Wenn das System modifiziert wird: Personen können gefährdet werden. System-spezifische Dokumente und Produktzulassungen können ihre Gültigkeit verlieren.

Bei Rückfragen zu Modifikationen am System Sartorius kontaktieren.

## 2.1.2 Personalqualifikation

Personen ohne ausreichende Kenntnisse im sicheren Umgang mit dem System können sich und andere Personen verletzen.

Wenn für eine Tätigkeit eine bestimmte Qualifikation erforderlich ist: Die Zielgruppe ist angegeben. Wenn **keine** Qualifikation angegeben ist: Die Tätigkeit kann durch die Zielgruppe „Bediener“ ausgeführt werden.

## 2.2 Sicherheitseinrichtungen

Die Sicherheitseinrichtungen des Systems schützen Personen, die am System arbeiten, vor Gefährdungen, die vom System ausgehen, z. B. Überdruck. Wenn die Sicherheitseinrichtungen des Systems demontiert oder verändert werden: Personen können schwer verletzt werden.

- ▶ Die Sicherheitseinrichtungen **nicht** demontieren, verändern oder außer Kraft setzen (Sicherheitseinrichtungen siehe Kapitel 3.7, Seite 61).

## 2.3 Sicherheitsinformationen am System

Symbole, z. B. Warnhinweise, Sicherheitsaufkleber, sind Sicherheitsinformationen für den Umgang mit dem System. Fehlende oder unleserliche Sicherheitsinformationen können dazu führen, dass diese **nicht** wahrgenommen werden. Personen können dadurch verletzt werden.

- ▶ Die Symbole **nicht** verdecken, entfernen oder verändern.
- ▶ Die Symbole bei Unleserlichkeit erneuern.

## 2.4 Zubehör

Ungeeignete Zubehörteile können die Funktion und Sicherheit beeinträchtigen und folgende Konsequenzen haben:

- Gefährdung von Personen
  - Beschädigungen, Fehlfunktionen oder Ausfall des Systems
- ▶ Nur von Sartorius zugelassene Kapitel 9, Seite 85 und gebrauchssichere Zubehörteile verwenden.

## 2.5 Persönliche Schutzausrüstung

Die persönliche Schutzausrüstung schützt vor Gefährdungen durch das Maxicaps® MR-System und durch die Filtereinheit. Wenn die persönliche Schutzausrüstung fehlt oder für die Arbeitsprozesse am System ungeeignet ist: Personen können verletzt werden.

Folgende persönliche Schutzausrüstung muss getragen werden:

- Arbeitsschutzkleidung
- Schutzhandschuhe
- Schutzbrille
- Sicherheitsschuhe

## 2.6 Beschädigung der Filtereinheit

Filtereinheiten können durch Stoßeinwirkungen beschädigt werden, z. B. durch Umfallen oder Anstoßen. Durch beschädigte Filtereinheiten können Personen verletzt werden.

- ▶ Filtereinheiten nach einer Stoßeinwirkung **nicht** mehr verwenden und entsorgen.

## 2.7 Hohes Gewicht

Die Filtereinheit hat ein hohes Eigengewicht. Beim Heben und Transportieren der Filtereinheiten besteht Verletzungsgefahr, z. B. durch Herunterfallen der Filtereinheit.

- ▶ Beim Heben und Transportieren durch andere Personen helfen lassen.
- ▶ Sartorius empfiehlt für das Heben und Transportieren der Filtereinheit eine geeignete Hebevorrichtung zu verwenden, z. B. Lifting Gear Maxicaps® MR.

## 2.8 Hebezeug

Wenn Hebezeug beim Transport der Filtereinheit verwendet wird: Personen können bei falscher Verwendung des Hebezeugs schwer verletzt werden, z. B. durch Herunterfallen der Filtereinheit.

- ▶ Die geeignete persönliche Schutzausrüstung tragen.
- ▶ Das Hebezeug an den geeigneten Positionen festmachen (siehe Kapitel „9 Transport“, Seite 85).

## 2.9 Unter Druck stehende Medien

Wenn das System mit zu hohem Druck beaufschlagt wird, können durch Abplatzen von Schläuchen, Konnektierungen oder anderen Systemkomponenten Personen verletzt werden.

- ▶ Die geeignete persönliche Schutzausrüstung tragen.
- ▶ Den maximalen Betriebsdruck **nicht** überschreiten (maximaler Betriebsdruck siehe Label Filtereinheit).
- ▶ Eine Drucküberwachung verwenden.
- ▶ Transferprozesse von Flüssigkeiten **nicht** unbeobachtet durchführen.

## 2.10 Wegrollen des Systems

Wenn sich der Trolley ungewollt in Bewegung setzt: Der Trolley kann Personen verletzen.

- ▶ Das System nur auf ebenen Flächen abstellen.
- ▶ Die 2 Feststellbremsen an den Transportrollen betätigen.

## 2.11 Umkippen des Systems

Aufgrund des hohen Gewichts können durch Umkippen des Systems Personen schwer verletzt werden.

- ▶ Wenn die Filtereinheit befüllt ist oder während des Filtrationsprozesses:  
Den Trolley **nicht** bewegen.

## 3 Systembeschreibung

### 3.1 Systemübersicht

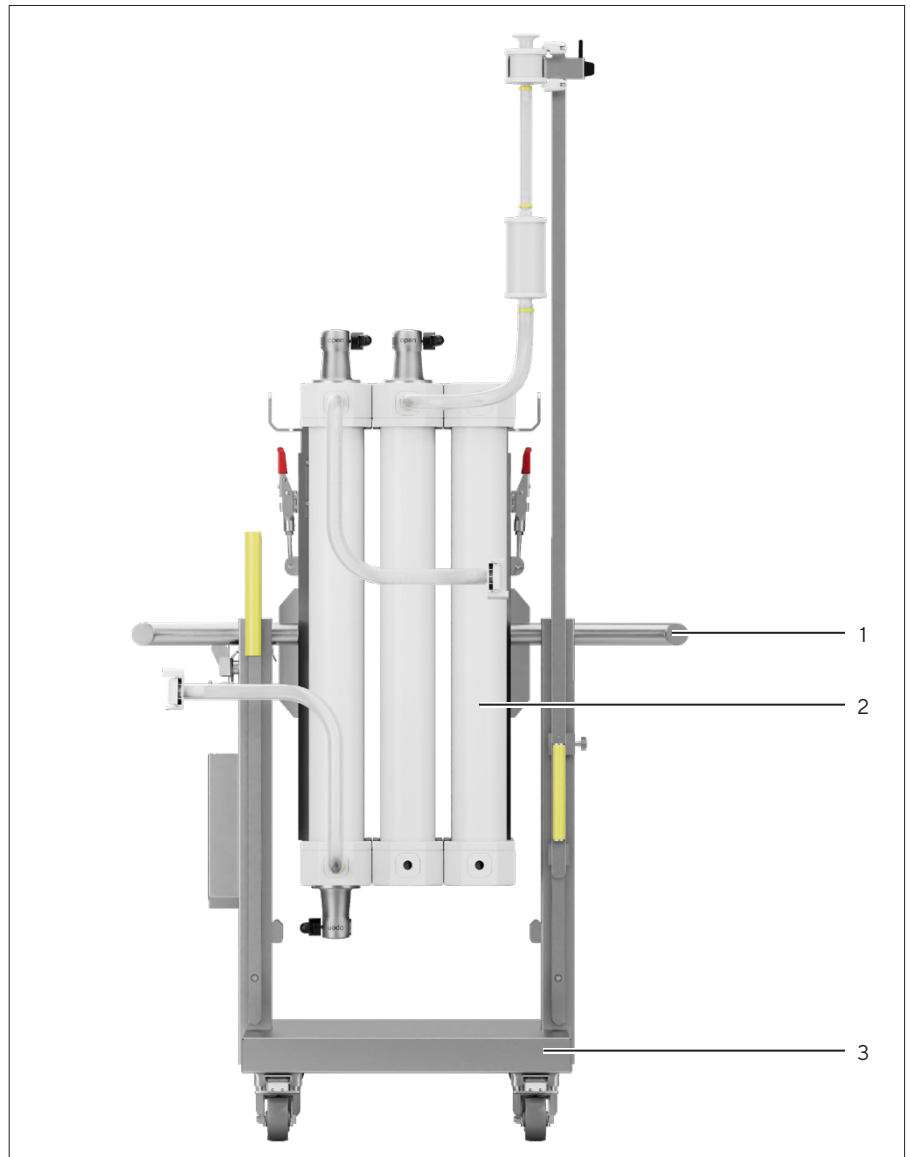


Abb. 1: System Maxicaps® MR

Pos.	Name	Beschreibung
1	Hebegriff	Wird an der Filtereinheit befestigt.
2	Filtereinheit	
3	Trolley	

## 3.2 Trolley mit Hebegriffen

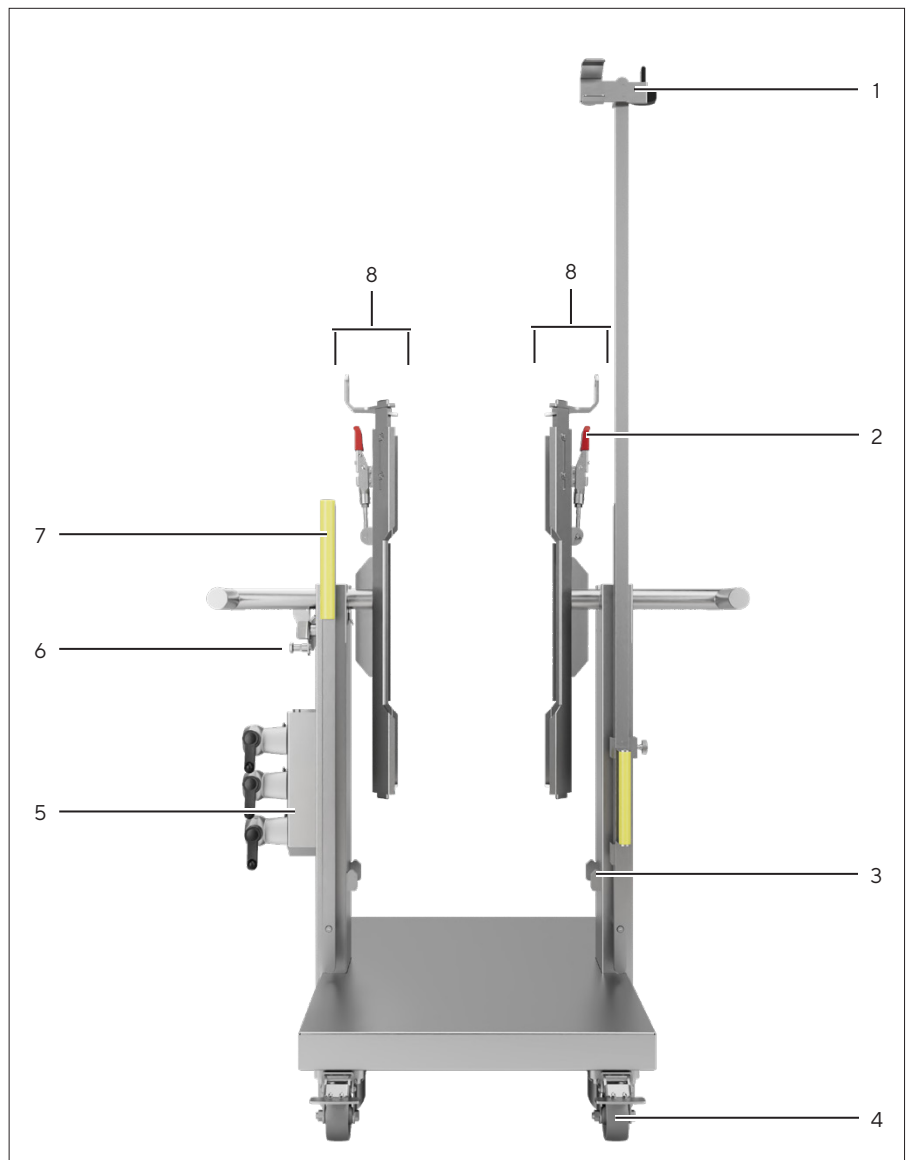


Abb.2: Trolley mit eingehängten Hebegriffen

Pos.	Name
1	Luftfilterhalter
2	Arretierung Filtereinheit
3	Halter Hebegriffe
4	Transportrolle
5	Halter für Ventilantriebe
6	Arretierung Schwenkfunktion
7	Griff Trolley
8	Hebegriff



### 3.3 Filtereinheit

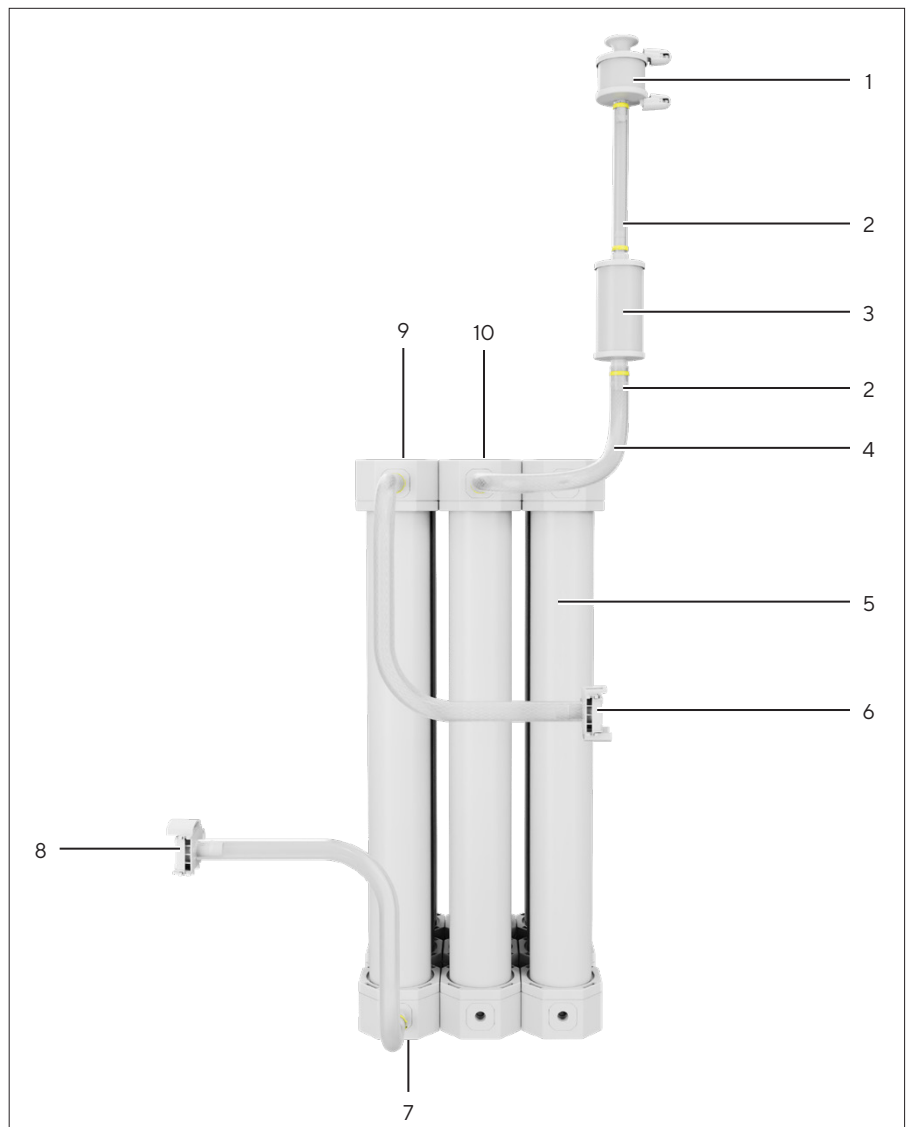


Abb. 3: 9er Filtereinheit (Beispiel)

Pos.	Name
1	Luftfilter (Sartopore® Air)
2	Schauglas (nur Advanced-Variante des Entlüftungs-Schlauchsets)
3	Sichtbehälter
4	Entlüftungs-Schlauchset
5	Filtereinheit
6	Inlet-Schlauch mit Konnektor (In)
7	Ventil Outlet
8	Outlet-Schlauch mit Konnektor (Out)
9	Ventil Inlet
10	Ventil Entlüftung

### 3.4 Label Filtereinheit

Das Label der Filtereinheit definiert die maximalen Betriebsdrücke für Inlet und Outlet der Filtereinheit und für den Filter-Integritätstest. Die Angaben der maximalen Betriebsdrücke sind von der Konfiguration der Filtereinheit abhängig.

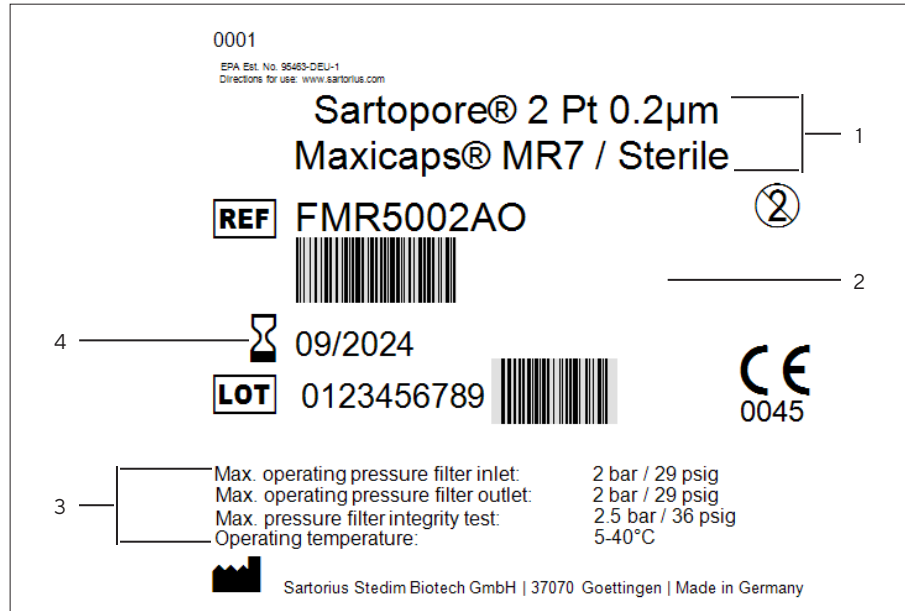


Abb. 4: Label Filtereinheit Beispiel

Pos.	Name
1	Produktinformation
2	Steril Indikator (nur bei steriler Variante)
3	Betriebsparameter
4	Haltbarkeitsdatum

### 3.5 Schwenkfunktion

Mit Hilfe der Schwenkfunktion kann die Filtereinheit in eine geneigte Position gebracht werden. Die Schwenkfunktion kann für die Entlüftung und Entleerung der Filtereinheit genutzt werden.

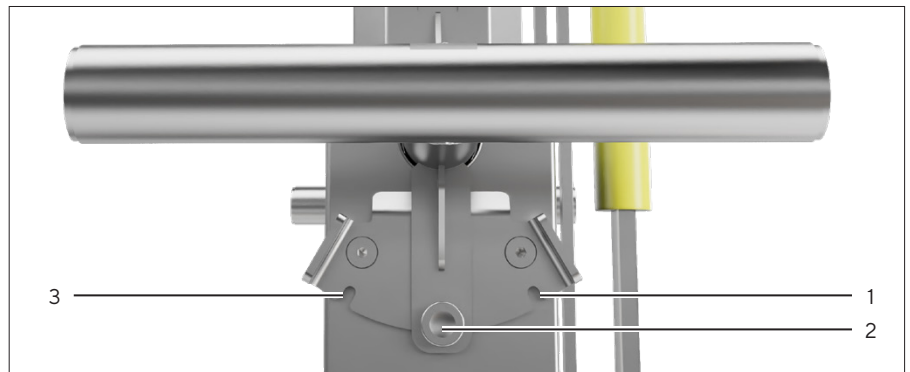


Abb. 5: Einstellungen Schwenkfunktion

Pos.	Name	Beschreibung
1	Entlüftungsposition	Die Filtereinheit ist ca. 30° nach links geschwenkt.
2	Filtrationsposition	Die Filtereinheit ist senkrecht ausgerichtet.
3	Entleerposition	Die Filtereinheit ist ca. 30° nach rechts geschwenkt.

### 3.6 Ventilantriebe

Die 3 Ventilantriebe dienen dem Öffnen und Schließen der Ventile in der Filtereinheit. Die Ventilantriebe müssen auf der Filtereinheit montiert werden.

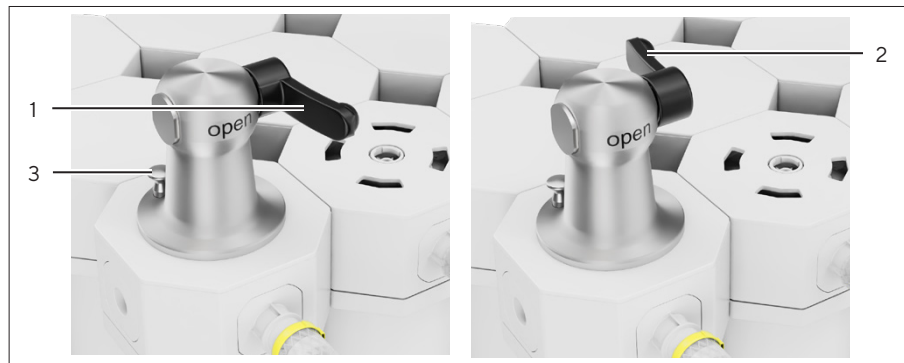


Abb. 6: Ventilantriebe

Pos.	Name	Beschreibung
1	Ventilantrieb [open]	Der Hebel des Ventilantriebs zeigt in Richtung [open]. Das Ventil der Filtereinheit ist geöffnet.
2	Ventilantrieb [close]	Der Hebel des Ventilantriebs zeigt in Richtung [close]. Das Ventil der Filtereinheit ist geschlossen.
3	Arretierung Ventilantrieb	Dient der Fixierung des Ventilantriebs.

### 3.7 Sicherheitseinrichtungen


Das Pressure Safety Device (Drucksicherung mit Berstscheibe) schützt das System während eines Filter-Integritätstest und beim Entleerprozess mit Druckluft vor einer Beschädigung durch Überdruck von  $> 2,5 \text{ bar} + \text{Sicherheitstoleranz von } 0,5 \text{ bar}$ . Das Pressure Safety Device wird zwischen dem Luftfilter und dem Filter-Integritätstestgerät bzw. dem Druckluftanschluss montiert.



Abb. 7: Pressure Safety Device

Pos.	Name
1	Anschluss für z.B. Filter-Integritätstestgerät oder Luftfilter
2	Berstscheibe (im Inneren verbaut)

## 3.8 Symbole am System

Symbol	Bedeutung
<p style="text-align: center;"><b>SARTORIUS</b></p> <p><b>Attention!</b></p> <p>Check that sanitary clamps are fitted securely. If necessary, retighten clamps.</p> <p>Do not operate without installing valve drives.</p> <p>Do not exceed max. operating pressure or temperature.</p> <p>Use pressurized gas only with an installed pressure safety device.</p>	<p>Hinweis</p> <p>Die hygienischen Klemmen (nur Advanced-Entlüftungs-Schlauchset) auf festen Sitz prüfen und bei Bedarf nachspannen.</p> <p>Das System <b>nicht</b> ohne installierte Ventilantriebe nutzen.</p> <p>Den max. Betriebsdruck und die Temperatur <b>nicht</b> überschreiten.</p> <p>Druckluft nur mit installierten Pressure Safety Device verwenden.</p>
	<p>Handverletzungen: Quetschgefahr durch Umlegen des Hebels am Hebegriff</p>

## 4 Installation

### 4.1 Aufstellort wählen

#### Vorgehen

- ▶ Sicherstellen, dass die Aufstellbedingungen erfüllt sind:

Bedingung	Merkmale
Umgebungsbedingungen	Eignung geprüft (siehe Kapitel 12.4, Seite 89)
Stellfläche	<ul style="list-style-type: none"> <li>– Stabil und eben</li> <li>– Vibrationsarm</li> <li>– Ausreichende Größe für das System (Platzbedarf Gerät siehe Kapitel 12.2, Seite 88)</li> <li>– Ausreichende Tragfähigkeit für das System, auch in befülltem Zustand (siehe Kapitel 12.1, Seite 87)</li> </ul>

### 4.2 Auspacken

#### 4.2.1 Trolley und Hebegriffe auspacken

##### Voraussetzungen

Die 2 Feststellbremsen an den Transportrollen sind aktiviert.

##### Vorgehen

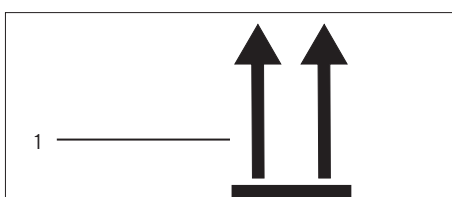
- ▶ Die Transportverpackung abnehmen.
- ▶ Die Transportverpackung gemäß den landesrechtlichen Bestimmungen entsorgen.

#### 4.2.2 Filtereinheit Maxicaps® MR auspacken

Personal      2 Personen, Bediener

##### Vorgehen

- ▶ Den Karton so ausrichten, dass die Pfeile (1) auf dem Karton nach oben zeigen.
- ▶ Den Karton oben öffnen.
- ▶ Die Schnittschutz-Pappe entnehmen.



Bediener 1 und 2:

- ▶ **ACHTUNG** Beschädigung der Filtereinheit durch falsche Handhabung!
  - ▶ Die Filtereinheit **nicht** an den Schläuchen oder den Kunststoffbeuteln anheben.
  - ▶ Die Filtereinheit nur am Filtergehäuse greifen und aus dem Karton heben.
- ▶ Die Filtereinheit ablegen.
- ▶ Den Sekundärbeutel öffnen und abnehmen.
- ▶ Den Primärbeutel öffnen und abnehmen.
- ▶ Die Verpackung gemäß den landesrechtlichen Bestimmungen entsorgen.

### 4.3 Trolley am Aufstellort positionieren und sichern

#### ⚠ VORSICHT

**Quetschgefahr beim Bedienen der Feststellbremse!**

- ▶ Die Feststellbremse nur mit dem Fuß bedienen.
- ▶ Die persönliche Schutzausrüstung tragen.

#### ⚠ VORSICHT

**Quetschgefahr beim manuellen Verfahren des Systems durch Überrollen von Körperteilen!**

- ▶ Das System **nicht** auf abschüssiger Fläche abstellen
- ▶ Die persönliche Schutzausrüstung tragen.

#### Vorgehen

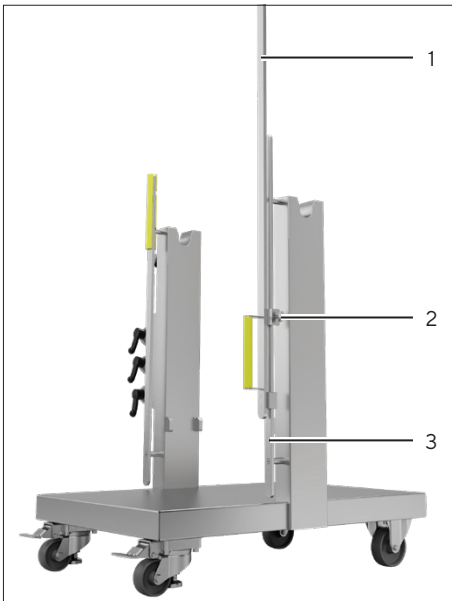
- ▶ Wenn die Feststellbremse der Transportrollen aktiviert ist: Die Feststellbremse der Transportrollen lösen. Dazu den Hebel (1) mit dem Fuß nach oben drücken.
- ▶ Das System an der gewünschten Stelle positionieren.
- ▶ Die Feststellbremse der Transportrollen aktivieren. Dazu den Hebel mit dem Fuß nach unten drücken.
- ▶ Der Trolley ist gesichert.





## 4.4 Systemschienen-Verlängerung montieren

### Vorgehen

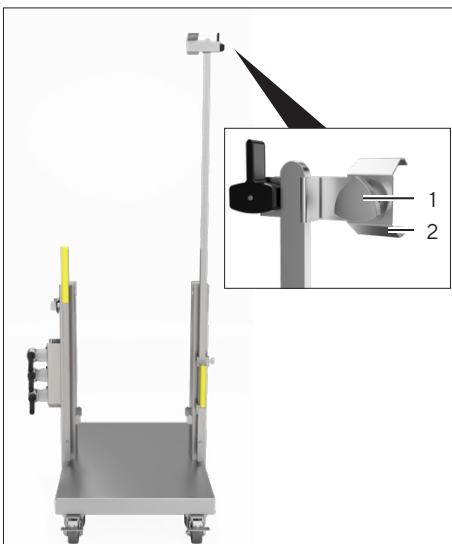


- ▶ Die Flügelverschraubung (2) an der Systemschienen-Verlängerung öffnen.
- ▶ Die Systemschienen-Verlängerung (1) von oben auf den feststehenden Teil der Systemschiene (3) aufschieben.
- ▶ Um die Systemschienen-Verlängerung zu fixieren: Die Flügelverschraubung (2) an der Systemschienen-Verlängerung schließen.

## 4.5 Luftfilterhalter einstellen

Die Luftfilterklemme am Luftfilterhalter muss einmalig um 90° gedreht werden, damit der Luftfilter in senkrechter Position fixiert werden kann.

### Vorgehen



- ▶ Die Griffverschraubung (1) an der Luftfilterklemme lösen.
- ▶ Die Luftfilterklemme (2) um 90° drehen.
- ▶ Die Griffverschraubung an der Luftfilterklemme festziehen.

# 5 Prozessvorbereitung

## 5.1 Maxicaps® MR montieren

Die Montage wird beispielhaft an einem Filterelement mit 9 Filtereinheiten (MR9) gezeigt.

### 5.1.1 Hebgriffe an Filtereinheit montieren

Je nach Konfiguration der Filtereinheit (MR2 - MR9) müssen die Hebgriffe an unterschiedlichen Positionen an der Filtereinheit angebracht werden. Eine farbliche Markierung auf den Hebgriffen und auf der Filtereinheit zeigt die korrekte Position.

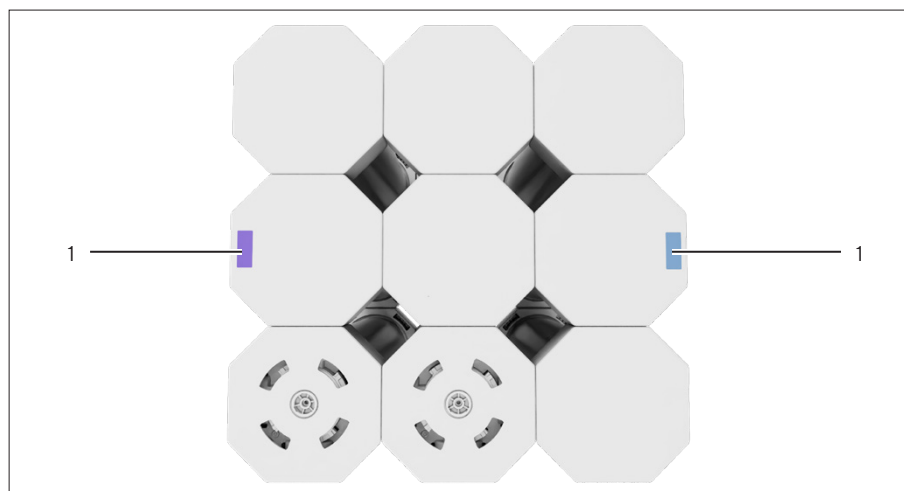


Abb.8: Farbmarkierung Filtereinheit - Draufsicht

Pos.	Name	Beschreibung
1	Farbmarkierung Filtereinheit	<ul style="list-style-type: none"> <li>– Zeigt die korrekte Position für die Montage der Hebgriffe.</li> <li>– Die Farbmarkierung der Hebgriffe muss mit der Farbmarkierung der Filtereinheit übereinstimmen.</li> </ul>

Personal: 2 Personen, Bediener

#### Voraussetzungen

Die Filtereinheit ist ausgepackt.

## Vorgehen



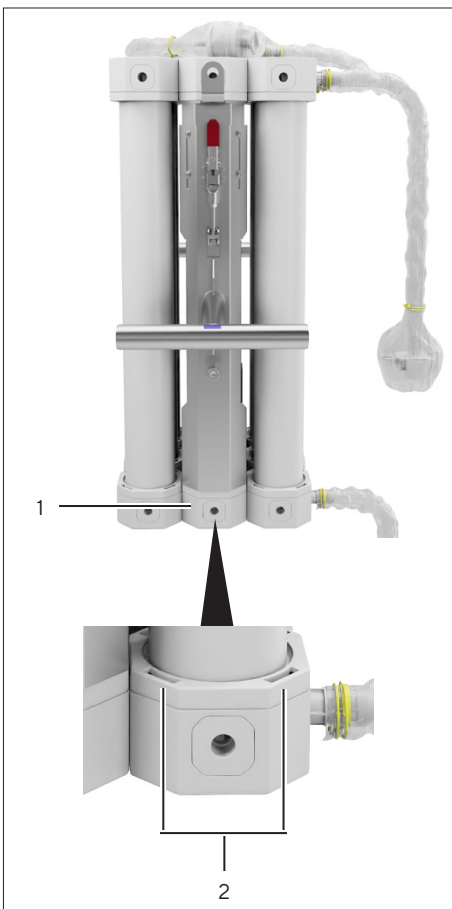
- ▶ Die Filtereinheit aufrecht aufstellen.
- ▷ Das Entlüftungs- und das Inlet-Schlauchset sind oben. Der Pfeil der Durchflussanzeige auf der Filtereinheit zeigt Richtung Boden.

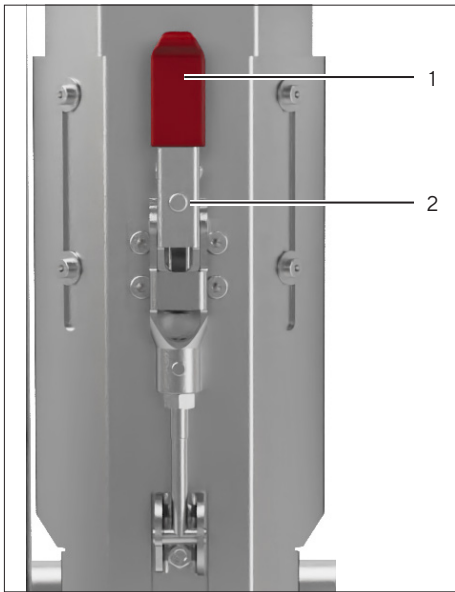
## Bediener 1:

- ▶ Die Filtereinheit festhalten.

## Bediener 2:

- ▶ Um den Hebegriff mit der lila-farbenen Markierung zu installieren:
  - ▶ Die Seite der Filtereinheit mit der lila-farbenen Markierung auswählen.
  - ▶ Den Hebegriff in die Öffnungen (2) der Outlet Plate (1) einstecken.





- ▶ **⚠ VORSICHT** Quetschgefahr der Finger beim Umlegen des Hebels (1)! Die Verriegelung (2) des Griffs drücken und den Hebel vorsichtig nach unten umlegen.
- ▶ Den Hebel bündig an das Filterelement anlegen.
- ▶ Den Hebel (1) nach oben umlegen.
- ▷ Die Verriegelung (2) rastet ein.
- ▶ Wenn die Montage des Hebelgriffs nicht oder nur mit einer hohen Verpressung möglich ist, die Position des Hebelgriffs überprüfen und ggf. anpassen.
  
- ▶ Den Hebelgriff mit der türkis-farbigen Markierung auf die gleiche Weise montieren.

### 5.1.2 Filtereinheit an Trolley ohne Flexsafe® STR Lifting Device montieren

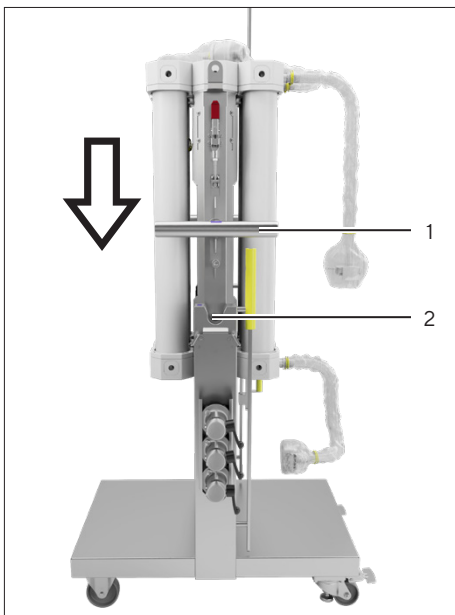
Personal: 2 Personen, Bediener

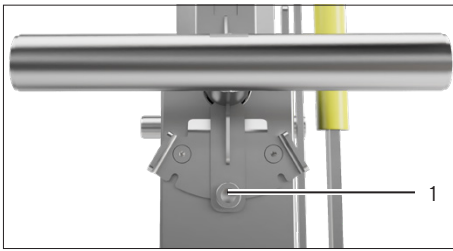
#### Voraussetzungen

Die Hebelgriffe sind an der Filtereinheit montiert.

#### Vorgehen

- ▶ Das Filterelement mit den Hebelgriffen so ausrichten, dass die farbliche Markierung am Hebelgriff zu der farblichen Markierung am Trolley passt.
- ▶ Das Filterelement mit Hilfe der beiden Hebelgriffe (1) anheben und in die Aussparungen (2) des Trolleys einlegen.

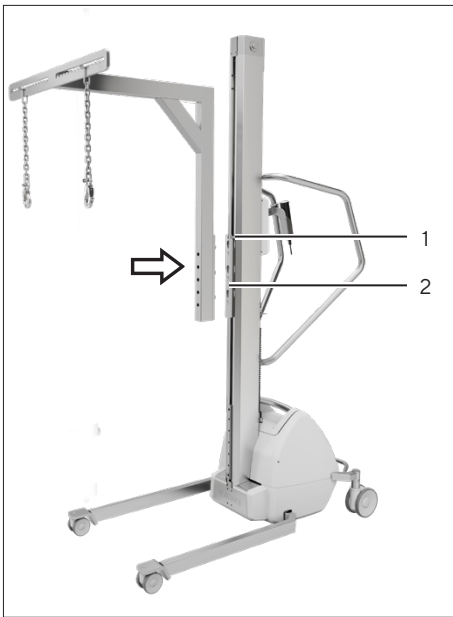




- ▶ Prüfen, dass die Arretierung für die Schwenkfunktion in der Filtrationsposition (1) eingerastet ist.

### 5.1.3 Lifting Gear am Flexsafe® STR Lifting Device installieren

#### Vorgehen



- ▶ Das Lifting Gear in das Verbindungselement (2) des Flexsafe® STR Lifting Device einstecken.
- ▶ Prüfen, dass der Sicherungsbolzen (1) eingerastet ist.

### 5.1.4 Filtereinheit an Trolley mit Flexsafe® STR Lifting Device montieren

Personal: 2 Personen, Bediener

Material: Lifting Gear Maxicaps® MR und Flexsafe® STR Lifting Device



Abb. 9: Lifting Gear

Pos.	Name	Beschreibung
1	Haken	Dient der Befestigung des Lifting Gear an den Anschlagpunkten der Filtereinheit.
2	Einstellbereich	Dient der Anpassung an die Breite der Filtereinheit.

#### Voraussetzungen

- Die Hebegriffe sind an der Filtereinheit montiert.
- Der Trolley ist so positioniert, dass die Systemschiene mit Luftfilterhalter nach hinten ausgerichtet ist.
- Die Feststellbremsen sind aktiviert.

#### **⚠️ WARNUNG**

##### Verletzungsgefahr durch Herabfallen von Systemteilen!

- ▶ Die Vorgehensweise bei der Montage beachten.

#### **⚠️ WARNUNG**

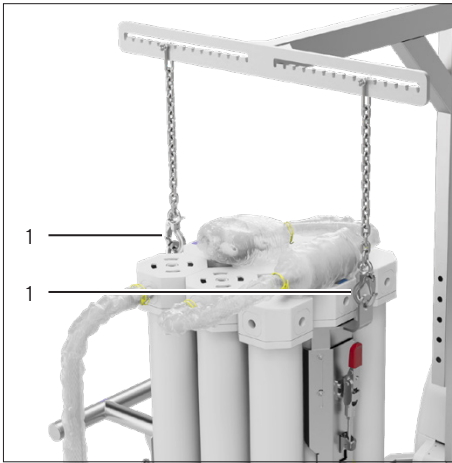
##### Verletzungsgefahr durch Umkippen des Flexsafe® STR Lifting Device!

Bei Überschreiten der maximalen Tragkraft kann das Flexsafe® STR Lifting Device umkippen. Dadurch können Personen verletzt werden.

- ▶ Die maximale Tragkraft des Flexsafe® STR Lifting Device beachten (siehe Traglastdiagramm des Flexsafe® STR Lifting Device).

### Vorgehen

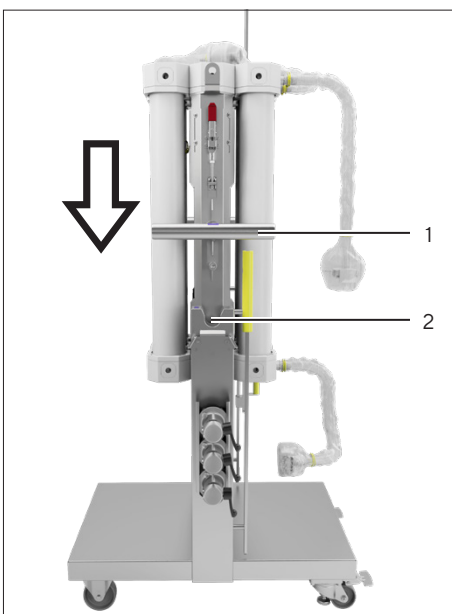
- ▶ Das Filterelement mit den Hebegriffen so vor dem Trolley ausrichten, dass die farbliche Markierung am Hebegriff zu der farblichen Markierung am Trolley passt.
- ▶ Das Flexsafe® STR Lifting Device über der Filtereinheit positionieren.
- ▶ **⚠ WARNUNG** Verletzungsgefahr durch Herabfallen der Filtereinheit! Die 2 Haken des Lifting Gear nur in die 2 Anschlagpunkte (Ösen) (1) an den Hebegriffen einhängen.

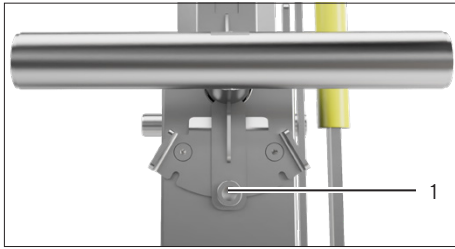


- ▶ Das Lifting Gear auf die Breite der Filtereinheit einstellen. Dafür die Kette in eine passende Aussparung im Einstellbereich des Lifting Gear verschieben.
- ▶ Empfehlung: Die Ketten sollten so in die Aussparungen verschoben werden, dass der Abstand zu Mitte möglichst gleich ist.
- ▶ Die Filtereinheit mit Hilfe des Flexsafe® STR Lifting Device nach oben anheben.
- ▶ Das Flexsafe® STR Lifting Device an den Trolley heranfahren und über dem Trolley positionieren.



- ▶ Die Filtereinheit langsam absenken. Die 2 Hebegriffe (1) in die Aussparungen (2) am Trolley einführen.





- ▶ Die Arretierung für die Schwenkfunktion in der Filtrationsposition (1) fixieren.

- ▶ Die 2 Haken des Lifting Gear von den Anschlagpunkten der Filtereinheit lösen.

## 5.2 Ventilantriebe montieren

An der Filtereinheit werden 3 Ventilantriebe montiert:

- Der Inlet-Ventilantrieb an der Oberseite der Filtereinheit öffnet und schließt das Inlet-Ventil.
- Der Entlüftungs-Ventilantrieb an der Oberseite der Filtereinheit öffnet und schließt das Entlüftungs-Ventil.
- Der Outlet-Ventilantrieb an der Unterseite der Filtereinheit öffnet und schließt das Outlet-Ventil.

---

### ACHTUNG

**Beschädigung des internen Ventils der Filtereinheit durch mehrmaliges Montieren des Ventilantriebs!**

- ▶ Den Ventilantrieb maximal 3 Mal am selben Ventil eines Filterelements montieren.
- 

#### Voraussetzung

Die 3 Ventilantriebe sind in der [open] Position.

#### Vorgehen

- ▶ Die 3 Ventilantriebe aus dem Ventilhalter entnehmen.

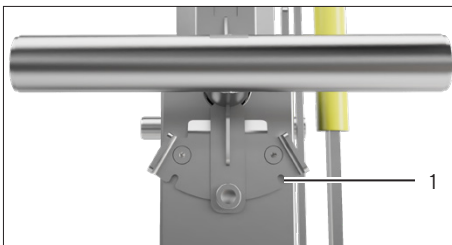


### Filterelement mit Entlüftungs-Schlauchset



- ▶ Um den Entlüftungs-Ventilantrieb auf der Oberseite des Filterelements zu montieren:
  - ▶ Die Arretierung (1) des Ventiltriebs nach oben ziehen und den Ventiltrieb an der Oberseite der Filtereinheit aufsetzen.
  - ▶ Den Ventiltrieb im Uhrzeigersinn drehen, bis die Arretierung einrastet.
- ▶ Den Ventiltrieb auf korrekte Montage prüfen. Der Ventiltrieb darf sich **nicht** gegen den Uhrzeigersinn drehen lassen.
  - ▶ Bei Bedarf: Den Ventiltrieb erneut montieren.
- ▶ Den Ventiltrieb einmal schließen und wieder öffnen.
- ▷ Der Ventiltrieb verbindet sich mit der Membran des Ventils.

### Filterelement mit Inlet- und Outlet-Schlauch:



- ▶ Um den Inlet-Ventilantrieb auf der Oberseite des Filterelements zu montieren:
  - ▶ Die Arretierung des Ventiltriebs nach oben ziehen und den Ventiltrieb an der Oberseite der Filtereinheit aufsetzen.
  - ▶ Den Ventiltrieb im Uhrzeigersinn drehen, bis die Arretierung einrastet.
- ▶ Den Ventiltrieb auf korrekte Montage prüfen. Der Ventiltrieb darf sich **nicht** gegen den Uhrzeigersinn drehen lassen.
  - ▶ Bei Bedarf: Den Ventiltrieb erneut montieren.
- ▶ Den Ventiltrieb einmal schließen und wieder öffnen.
- ▷ Der Ventiltrieb verbindet sich mit der Membran des Ventils.
- ▶ Optional: Um den Zugang zum Outlet-Ventil zu erleichtern, die Filtereinheit mit Hilfe der Schwenkfunktion in die Entlüftungsposition (1) bringen.
- ▶ Um den Outlet-Ventilantrieb auf der Unterseite der Filtereinheit zu montieren in der gleichen Weise verfahren, wie beim Inlet- und Entlüftungs-Ventilantrieb.

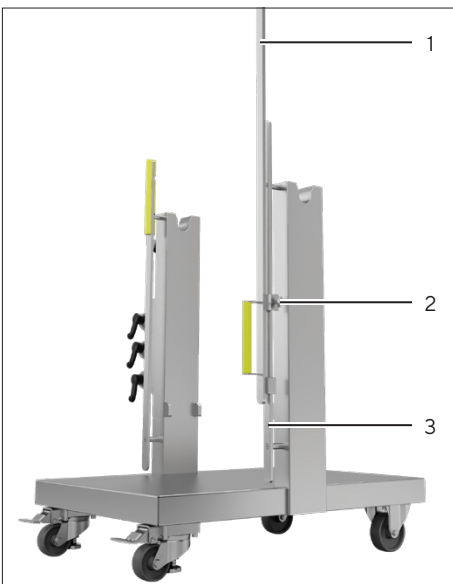
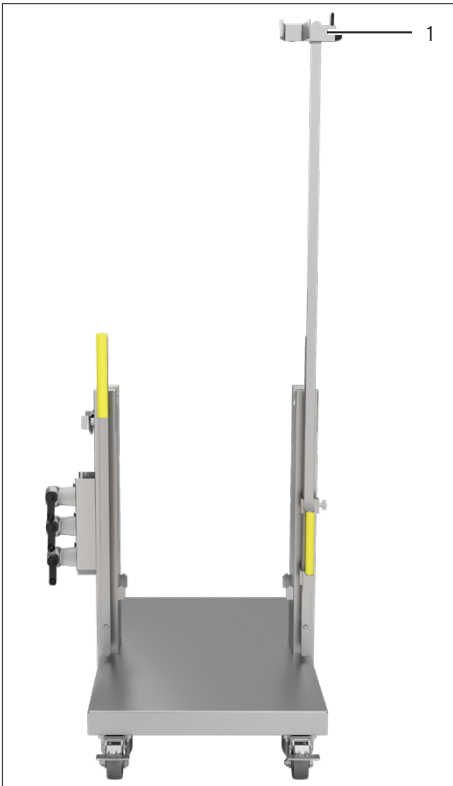
## 5.3 Luftfilter montieren

### Voraussetzung

Der Luftfilterhalter ist so eingestellt, dass der Luftfilter senkrecht montiert werden kann (siehe Kapitel „4.5 Luftfilterhalter einstellen“, Seite 65).

### Vorgehen

- ▶ Den Schlauch mit dem Luftfilter aus dem Kunststoffbeutel nehmen und die Kabelbinder entfernen.
- ▶ Die Klemmen am Entlüftungsschlauch auf festen Sitz prüfen.
  - ▶ Bei Bedarf: Die Klemmen festziehen.
- ▶ Den Luftfilter im Luftfilterhalter (1) fixieren.



- ▶ Um die Systemschiene auf eine geeignete Höhe einzustellen:
  - ▶ Die Flügelschraube (2) an der Systemschiene-Verlängerung öffnen.
  - ▶ Die Systemschiene-Verlängerung (1) mit Hilfe des Griffs (3) nach oben schieben.
  - ▶ Wenn die gewünschte Position erreicht ist, die Flügelschraube (2) festdrehen.
- ▶ Prüfen, dass das Entlüftungsschlauchset **nicht** geknickt ist und er **nicht** durchhängt.
  - ▶ Bei Bedarf: Die Höhe der Systemschiene korrigieren.

## 6 Bedienung

### 6.1 Filtereinheit befüllen und entlüften

#### Voraussetzungen

- Die Filtereinheit ist in der Filtrationsposition.
- Der Luftfilter ist in den Luftfilterhalter geklemmt.
- Die Ventilantriebe sind montiert.

#### **⚠ VORSICHT**

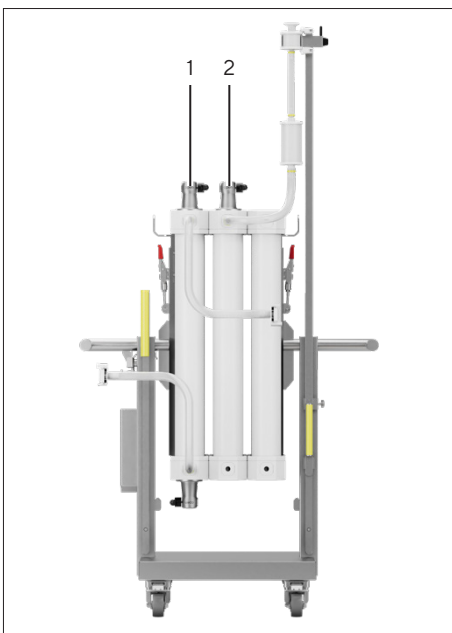
##### **Verletzungsgefahr durch austretende Flüssigkeit!**

Durch Abplatzen von Schläuchen oder durch Undichtigkeiten an Konnektionsstellen kann Flüssigkeit austreten. Dadurch können Personen verletzt werden.

- ▶ Die maximalen Betriebsdrücke beachten (siehe Angaben auf dem Label Filtereinheit).
- ▶ Wenn ein Advanced-Entlüftungs-Schlauchset verwendet wird: Die Tri-Clamp-Verbindungen auf festen Sitz prüfen und bei Bedarf nachspannen.
- ▶ Ein Messgerät zur Drucküberwachung verwenden.
- ▶ Den Prozess **nicht** unbeobachtet lassen.

#### Vorgehen

- ▶ Alle Ventilantriebe in die Position [close] stellen.
- ▶ Den Inlet-Schlauch aus dem Kunststoffbeutel nehmen und die Kabelbinder entfernen.
- ▶ Den Inlet-Schlauch anschließen (Konnektierung siehe Anleitung Konnektoren).
- ▶ Den Outlet-Schlauch aus dem Kunststoffbeutel nehmen und die Kabelbinder entfernen.
- ▶ Den Outlet-Schlauch anschließen (Konnektierung siehe Anleitung Konnektoren).
- ▶ Den Inlet-Ventilantrieb (1) und den Entlüftungs-Ventilantrieb (2) in die Position [open] stellen.
- ▶ Den Befüllvorgang starten. Dabei den maximalen Volumenstrom von 5 L/min einhalten.
- ▷ Die Filtereinheit wird gefüllt.
- ▶ **ACHTUNG** Verblocken des Luftfilters durch Kontakt mit Flüssigkeit oder Schaum! Wenn der Sichtbehälter beginnt, sich mit Flüssigkeit oder Schaum zu füllen: Den Volumenstrom stoppen.
- ▶ Die Filtereinheit mehrmals mit Hilfe der Schwenkfunktion langsam hin und her schwenken.
- ▶ Bei Bedarf: Die Systemschiene mit dem Luftfilterhalter in der Höhe korrigieren, um ein Knicken des Entlüftungs-Schlauches zu vermeiden.
- ▷ Die restliche Luft entweicht durch den Luftfilter.



- ▶ Wenn die Flüssigkeit im Sichtbehälter stark absinkt:
  - ▶ Mit reduziertem Volumenstrom nachfüllen.
  - ▶ Wenn der Sichtbehälter beginnt, sich mit Flüssigkeit oder Schaum zu füllen: Den Volumenstrom stoppen.
- ▶ Den Inlet-Ventilantrieb in die Position [close] stellen.
- ▶ Den Entlüftungs-Ventilantrieb in die Position [close] stellen.
- ▶ Die Filtereinheit ist befüllt und entlüftet.

## 6.2 Filtereinheit spülen

### Voraussetzungen

Die Filtereinheit ist befüllt und entlüftet.

---

### VORSICHT

#### Verletzungsfahr durch austretende Flüssigkeit!

Durch Abplatzen von Schläuchen oder durch Undichtigkeiten an Konnektierungsstellen kann Flüssigkeit austreten. Dadurch können Personen verletzt werden.

- ▶ Die maximalen Betriebsdrücke beachten (siehe Angaben auf der Filtereinheit).
  - ▶ Wenn ein Advanced-Entlüftungs-Schlauchset verwendet wird: Die Tri-Clamp-Verbindungen auf festen Sitz prüfen und bei Bedarf nachspannen.
  - ▶ Ein Messgerät zur Drucküberwachung verwenden.
  - ▶ Den Prozess **nicht** unbeobachtet lassen.
- 

### Vorgehen

- ▶ Um das Spülen zu starten:
  - ▶ Den Inlet-Ventilantrieb und den Outlet-Ventilantrieb in die Position [open] stellen.
  - ▶ Den Volumenstrom starten.
- ▶ Um das Spülen zu beenden:
  - ▶ Den Volumenstrom stoppen.
  - ▶ Den Inlet-Ventilantrieb und den Outlet-Ventilantrieb in die Position [close] stellen.

## 6.3 Filtration durchführen

### Voraussetzung

- Die Filtereinheit ist vollständig entlüftet.
- Optional: Ein Filter-Integritätstest ist durchgeführt.
- Der Inlet- und der Outlet-Schlauch ist angeschlossen.

---

### VORSICHT

#### Verletzungsgefahr durch austretende Flüssigkeit!

Durch Abplatzen von Schläuchen oder durch Undichtigkeiten an Konnektionsstellen kann Flüssigkeit austreten. Dadurch können Personen verletzt werden.

- ▶ Die maximalen Betriebsdrücke beachten (siehe Angaben auf der Filtereinheit).
  - ▶ Wenn ein Advanced-Entlüftungs-Schlauchset verwendet wird: Die Tri-Clamp-Verbindungen auf festen Sitz prüfen und bei Bedarf nachspannen.
  - ▶ Ein Messgerät zur Drucküberwachung verwenden, z.B. Sartorius Sensor Transfer Sets.
  - ▶ Den Prozess **nicht** unbeobachtet lassen.
- 

### Vorgehen

- ▶ Um den Filtrationsprozess zu starten:
  - ▶ Prüfen, dass der Entlüftungs-Ventilantrieb in der Position [close] ist.
  - ▶ Den Inlet-Ventilantrieb in die Position [open] stellen.
  - ▶ Den Outlet-Ventilantrieb in die Position [open] stellen.
  - ▶ Den Filtrations-Volumenstrom starten.
  - ▶ Der Filtrationsprozess startet.
- ▶ Um den Filtrationsprozess zu beenden:
  - ▶ Den Filtrations-Volumenstrom stoppen.
  - ▶ Den Inlet-Ventilantrieb und den Outlet-Ventilantrieb in die Position [close] stellen.

## 6.4 Filter-Integritätstest durchführen

Ein Filter-Integritätstest kann vor einem Filtrationsvorgang und nach einem Filtrationsvorgang durchgeführt werden: Die Grenzwerte des Filter-Integritätstest sowie die Testparameter sind im Datenblatt Maxicaps MR angegeben.

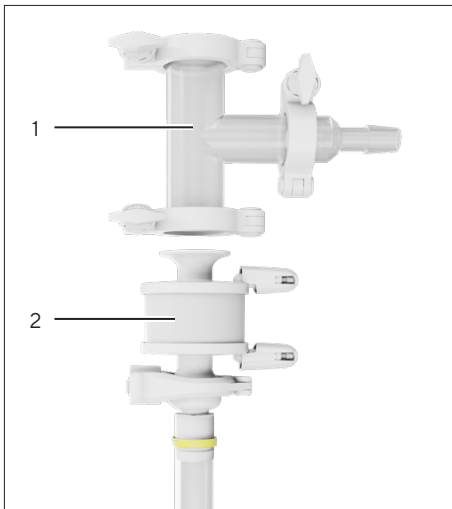
- Material:
- Pressure Safety Device
  - Tri-Clamp ½"
  - Filter-Integritätstestgerät, z. B. Sartocheck 5
  - Bei Bedarf: Externer Referenztank (Nettovolumen > 13 L)

### Voraussetzung

- Die Filtereinheit ist für einen Filter-Integritätstest geeignet.
- Der Outlet-Schlauch ist drucklos.

### Vorgehen

- ▶ Prüfen, dass alle 3 Ventilantriebe in der Position [close] sind.
- ▶ Die Systemschienen-Verlängerung mit dem Luftfilterhalter nach unten schieben und den Luftfilter entnehmen.
- ▶ Den Luftfilter (2) und das Pressure Safety Device (1) mit der Tri-Clamp verbinden.
- ▶ Das Filter-Integritätstestgerät mit dem Pressure Safety Device verbinden.
- ▶ Den Sichtbehälter in den Luftfilterhalter klemmen.
- ▶ Prüfen, dass **kein** Schlauch geknickt ist.
- ▶ Die Filtereinheit in die Entleerposition bringen.
- ▶ Den Entlüftungs-Ventilantrieb und den Outlet-Ventilantrieb in die Position [open] stellen.
- ▶ Die Parameter im Filter-Integritätstestgerät definieren (Parameter siehe Kapitel 12.5, Seite 89).
- ▶ Das Diffusionsprogramm des Filter-Integritätstestgeräts starten (siehe Anleitung Filter-Integritätstestgerät).
- ▷ Die Filtereinheit entleert sich.
- ▶ Wenn des Filter-Integritätstest beendet ist:
  - ▶ Den Entlüftungs-Ventilantrieb in die Position [close] stellen.
  - ▶ Den Outlet-Ventilantrieb in die Position [close] stellen.
- ▶ Das Filter-Integritätstestgerät vom Pressure Safety Device deinstallieren.
- ▶ Das Safety Pressure Device vom Luftfilter deinstallieren und aufbewahren.



## 6.5 Filtereinheit entleeren

### 6.5.1 Filtereinheit gravimetrisch entleeren

#### Voraussetzungen

- Der Filtrationsprozess ist beendet.
- Das System steht **nicht** unter Druck.

#### Vorgehen

- ▶ Die Filtereinheit in die Entleerposition bringen.
- ▶ Bei Bedarf: Den Systemschiene mit dem Luftfilterhalter in der Höhe korrigieren, um ein Knicken des Entlüftungs-Schlauches zu vermeiden.
- ▶ Den Entlüftungs-Ventilantrieb in die Position [open] stellen.
- ▶ Den Outlet-Ventilantrieb in die Position [open] stellen.
- ▷ Die Filtereinheit entleert sich.
- ▶ Wenn keine Flüssigkeit mehr aus der Filtereinheit abfließt: Den Outlet-Ventilantrieb und den Entlüftungs-Ventilantrieb in die Position [close] stellen.

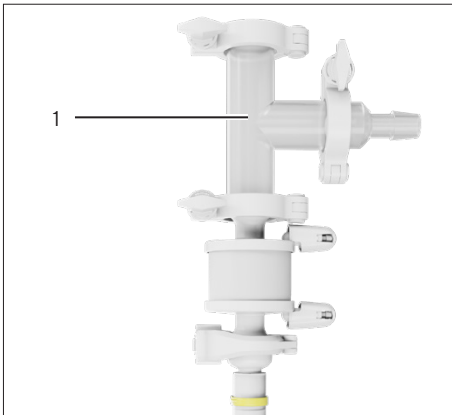
## 6.5.2 Filtereinheit mit Druckluft entleeren

### Voraussetzungen

- Der Filtrationsprozess ist beendet.
- Das System steht **nicht** unter Druck.

### Vorgehen

- ▶ Die Systemschienen-Verlängerung mit dem Luftfilterhalter nach unten schieben und den Luftfilter entnehmen.
- ▶ Den Luftfilter und das Pressure Safety Device mit der Tri-Clamp verbinden.
- ▶ Die Druckluftversorgung an das Pressure Safety Device (1) anschließen.
- ▶ Prüfen, dass der Inlet-Ventilantrieb in der Position [close] ist.
- ▶ Die Filtereinheit in die Entleerposition bringen.
- ▶ Den Outlet-Ventilantrieb in die Position [open] stellen.
- ▶ Sicherstellen, dass der Entlüftungs-Schlauch **nicht** geknickt ist.
- ▶ Das System mit maximal 0,5 bar beaufschlagen.
- ▶ Während des Endleervorgangs die Druckbeaufschlagung überwachen.
- ▷ Die Filtereinheit entleert sich.
- ▶ Wenn keine Flüssigkeit mehr aus der Filtereinheit abfließt:
  - ▶ Die Druckluftversorgung schließen.
  - ▶ Den Entlüftungs-Ventilantrieb in die Position [close] stellen.
  - ▶ Den Outlet-Ventilantrieb in die Position [close] stellen.



## 6.6 Anschlüsse und Ventilantriebe von der Filtereinheit trennen

### Voraussetzungen

- Der Filtrationsprozess ist beendet.
- Die Filtereinheit ist entleert.
- Das System steht **nicht** unter Druck.

### Vorgehen

- ▶ Alle 3 Ventilantriebe in die Position [open] stellen.
- ▶ Den Inlet- und den Outlet-Schlauch trennen, z. B. mit Clipster® oder BioSealer®.
- ▶ Die 3 Ventilantriebe lösen. Dazu die Arretierung (1) anheben, den Ventilantrieb gegen den Uhrzeigersinn drehen und abnehmen.
- ▶ Die 3 Ventilantriebe im Ventilhalter am Trolley aufbewahren.



## 6.7 Filtereinheit und Hebegriffe ohne Flexsafe® STR Lifting Device montieren

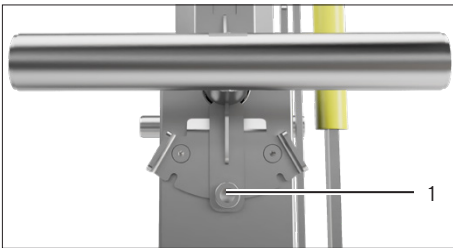
Personal: 2 Personen, Bediener

### Voraussetzungen

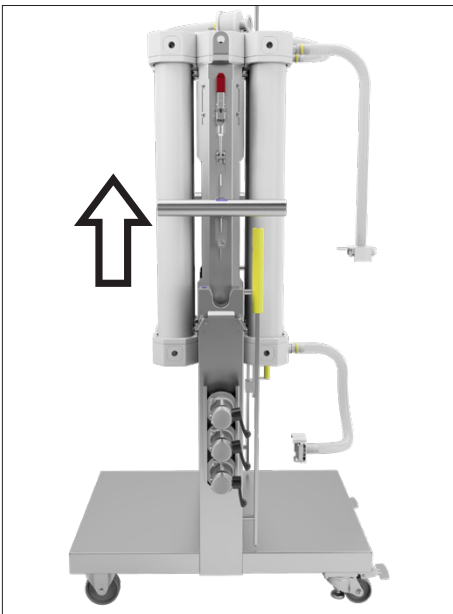
- Der Luftfilter befindet sich **nicht** im Luftfilterhalter.
- Die Anschlüsse und Ventilantriebe sind von der Filtereinheit getrennt.
- Die Filtereinheit ist in der Filtrationsposition.

### Vorgehen

- ▶ Die Arretierung (1) für die Schwenkfunktion lösen.



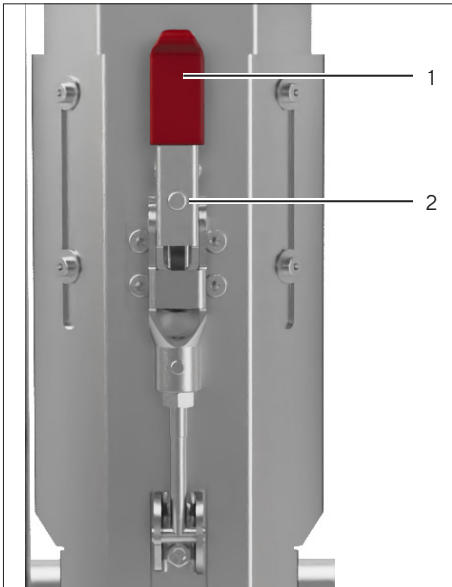
- ▶ Das Filterelement mit Hilfe der beiden Hebegriffe nach oben aus der Halterung des Trolleys abnehmen und vorsichtig abstellen.



Bediener 1:

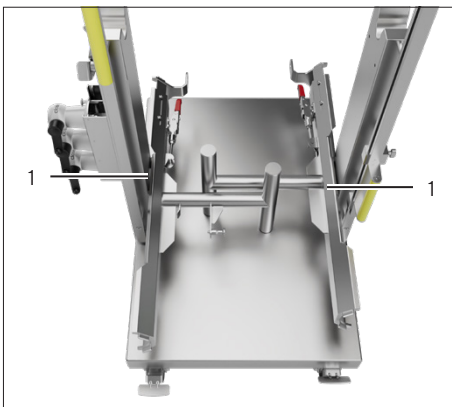
- ▶ Die Filtereinheit festhalten.





Bediener 2:

- ▶ **⚠ VORSICHT** Quetschgefahr der Finger beim Umlegen des Hebels (1)! Die Verriegelung (2) des Griffs drücken und den Hebel vorsichtig nach unten umlegen.
- ▶ Den Hebegriff vorsichtig nach oben hin abnehmen und ablegen.
- ▶ Den Hebel (1) nach oben umlegen.
- ▶ Die Sicherheits-Verriegelung (2) rastet ein.
- ▶ Das zweite Handle auf die gleiche Weise demontieren.
- ▶ Die Filtereinheit entsorgen (siehe Kapitel „11 Entsorgung“, Seite 86)..



- ▶ Die beiden Hebegriffe auf die 2 Halter (1) an der Innenseite des Trolleys einhängen.

## 6.8 Filtereinheit und Hebegriffe mit Flexsafe® STR Lifting Device demontieren

Die Filtereinheiten können nach dem Filtrationsvorgang ein hohes Eigengewicht haben. Es wird empfohlen, den Transport der Filtereinheit mit einem Sartorius Flexsafe® STR Lifting Device durchzuführen.

Personal: 2 Personen, Bediener

Material: Lifting Gear Maxicaps® MR und Flexsafe® STR Lifting Device

### Voraussetzungen

- Der Luftfilter befindet sich **nicht** im Luftfilterhalter.
- Die Anschlüsse und Ventilantriebe sind von der Filtereinheit getrennt.
- Die Filtereinheit ist in der Filtrationsposition.
- Das Lifting Gear ist am Flexsafe® STR Lifting Device installiert (siehe Anleitung Flexsafe® STR Lifting Device).

**⚠️ WARNUNG****Verletzungsgefahr durch Herabfallen von Systemteilen!**

- ▶ Die Vorgehensweise bei der Demontage beachten.

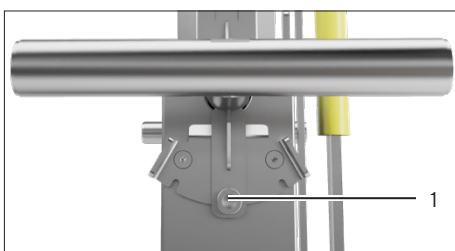
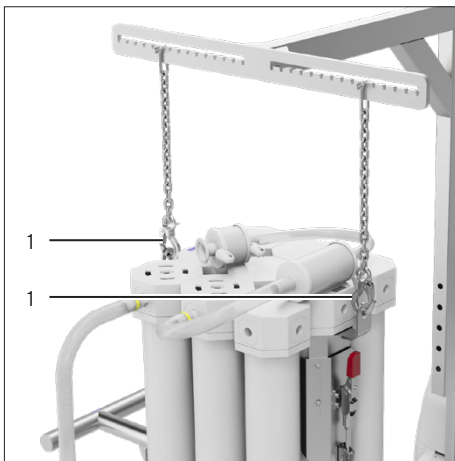
**⚠️ WARNUNG****Verletzungsgefahr durch Umkippen des Flexsafe® STR Lifting Device!**

Bei Überschreiten der maximalen Tragkraft kann das Flexsafe® STR Lifting Device umkippen. Dadurch können Personen verletzt werden.

- ▶ Die maximale Tragkraft des Flexsafe® STR Lifting Device beachten (siehe Traglastdiagramm des Flexsafe® STR Lifting Device).
- ▶ Die Filtereinheit **nur** entleert anheben.
- ▶ Die Filtereinheit **nur** anheben, wenn die Arretierung zwischen Hebegriff und Trolley gelöst ist.

**Vorgehen**

- ▶ Das Flexsafe® STR Lifting Device an die Rückseite des Maxicaps® MR heranfahren und so positionieren, dass das Lifting Gear möglichst Mittig über der Filtereinheit platziert ist.
- ▶ **⚠️ WARNUNG** Verletzungsgefahr durch falsche Positionierung des Lifting Gear! Die 2 Haken des Lifting Gear nur in die 2 Anschlagpunkte (Ösen) (1) der Hebegriffe einhängen.
- ▶ Das Lifting Gear auf die Breite der Filtereinheit einstellen. Dafür die Kette in eine passende Aussparung des Lifting Gear verschieben.
- ▶ Empfehlung: Die Ketten sollten so in die Aussparungen verschoben werden, dass der Abstand zu Mitte möglichst gleich ist.



- ▶ Mit einer Hand die Arretierung (1) für die Schwenkfunktion lösen.
- ▶ Mit der zweiten Hand den Hebegriff leicht anheben, damit die Arretierung nicht sofort wieder einrastet.

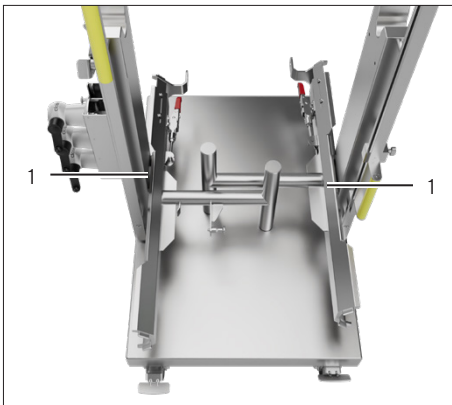
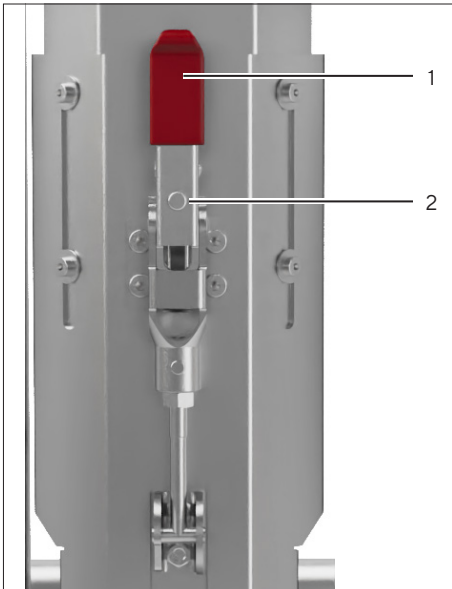
- ▶ Die Filtereinheit mit Hilfe des Flexsafe® STR Lifting Device soweit anheben, dass die Filtereinheit über den Trolley gehoben werden kann. Dabei darauf achten, dass die Haken sich nicht verhaken.
- ▶ Die Filtereinheit an einer geeigneten Stelle absetzen.
- ▶ Bei Bedarf: Beim Absetzvorgang die Filtereinheit in ihrer Position korrigieren, damit diese nicht auf dem Ausleger des Flexsafe® STR Lifting Device abgestellt wird.
- ▶ Die 2 Haken des Lifting Gear von den Anschlagpunkten der Filtereinheit lösen.

Bediener 1:

- ▶ Die Filtereinheit festhalten.

Bediener 2:

- ▶ Die Sicherheits-Verriegelung (2) drücken und den Hebel (1) nach unten umlegen.
- ▶ Den Hebelgriff vorsichtig nach oben hin abnehmen und ablegen.
- ▶ Den Hebel (1) nach oben umlegen.
- ▷ Die Sicherheits-Verriegelung (2) rastet ein.
- ▶ Das zweite Handle auf die gleiche Weise demontieren.
- ▶ Die Filtereinheit entsorgen (siehe Kapitel „11 Entsorgung“, Seite 86)..



- ▶ Die beiden Hebelgriffe auf die 2 Halter (1) an der Innenseite des Trolleys einhängen.

## 7 Reinigung

### 7.1 Trolley und Hebegriffe reinigen

#### Voraussetzungen

Der Filtrationsprozess ist beendet.

#### Vorgehen

- ▶ Nur geeignete Reinigungsmittel einsetzen und die Produktinformationen des eingesetzten Reinigungsmittels beachten (Reinigungsmittel siehe Kapitel 12.11, Seite 90).
- ▶ Den Trolley und die Hebegriffe mit einem leicht feuchten Reinigungstuch abwischen. Für stärkere Verschmutzungen eine milde Seifenlauge oder ein geeignetes Reinigungsmittel verwenden.

## 8 Störungen

Störung	Ursache	Behebung	Kapitel, Seite	Zielgruppe
Der Luftfilter ist verblockt.	Flüssigkeit oder Schaum ist in den Luftfilter gelangt.	Die Filtereinheit entsorgen.	11.1, 86	Bediener
Während des Filter-Integritätstests wird <b>kein</b> Druck aufgebaut.	Die Berstscheibe im Pressure Safety Device ist defekt.	<ul style="list-style-type: none"> <li>– Das defekte Pressure Safety Device entsorgen.</li> <li>– Ein neues Pressure Safety Device verwenden.</li> </ul>		Bediener
Der Filter-Integritätstest wurde <b>nicht</b> bestanden.	Mangelhafte Benetzung der Filtereinheit.	<ul style="list-style-type: none"> <li>– Die Filtereinheit erneut spülen.</li> <li>– Den Filter-Integritätstest wiederholen.</li> </ul>	6.2, 76 und 6.4, 77	Bediener
Der Eingangsdruck liegt über dem zulässigen Betriebsdruck.	Der Inlet- und   oder Outlet-Ventilantrieb ist geschlossen.	Den Inlet- und   oder Outlet-Ventilantrieb öffnen.		Bediener
	Der Luftfilter ist verblockt.	Die Filtereinheit entsorgen.		
	Die Filtereinheit ist verblockt	Die Filtereinheit entsorgen.		

## 9 Transport

### Voraussetzungen

- Der Filtrationsprozess ist beendet.
- Die Filtereinheit und die Hebegriffe sind demontiert.

---

### ⚠ VORSICHT

#### Quetschgefahr beim Bedienen der Feststellbremse!

- ▶ Die Feststellbremse nur mit dem Fuß bedienen.
- ▶ Die persönliche Schutzausrüstung tragen.

---

### ⚠ VORSICHT

#### Quetschgefahr beim manuellen Verfahren des Systems durch Überrollen von Körperteilen!

- ▶ Das System **nicht** auf abschüssiger Fläche abstellen
  - ▶ Die persönliche Schutzausrüstung tragen.
- 

### Vorgehen

- ▶ Die Systemschienen-Verlängerung mit dem Luftfilterhalter in die unterste Position schieben.
- ▶ Die Feststellbremse der Transportrollen lösen. Dazu den Hebel (1) mit dem Fuß nach oben drücken.
- ▶ Den Trolley an den Handgriffen an die gewünschte Stelle verschieben.



# 10 Lagerung und Versand

## 10.1 Trolley und Hebegriffe lagern

### Vorgehen

- ▶ Trolley und Hebegriffe reinigen.
- ▶ Das System gemäß den Umgebungsbedingungen lagern (siehe Kapitel 12.4, Seite 89).

## 10.2 System und Teile zurücksenden

Defekte Teile können an Sartorius zurückgesendet werden. Zurückgesandte Teile müssen sauber, dekontaminiert und sachgerecht verpackt sein.

Transportschäden sowie Maßnahmen zur nachträglichen Reinigung und Desinfektion der Teile durch Sartorius gehen zu Lasten des Absenders.

Mit gefährlichen Stoffen kontaminierte Teile, z. B. gesundheitsgefährdende biologische oder chemische Stoffe, werden **nicht** zur Reparatur und Entsorgung zurückgenommen.

### Vorgehen

- ▶ Den Sartorius Service kontaktieren, um Hinweise zur Rücksendung zu erhalten (siehe [www.sartorius.com](http://www.sartorius.com)).
- ▶ Das Teile für die Rücksendung sachgerecht verpacken.

# 11 Entsorgung

## 11.1 System und Teile entsorgen

Das System und das Zubehör zum System müssen fachgerecht durch Entsorgungseinrichtungen entsorgt werden.

### Voraussetzungen

Das System ist dekontaminiert.

### Vorgehen

- ▶ Die Teile des Systems gemäß den landesrechtlichen Bestimmungen entsorgen.
- ▶ Die Verpackung gemäß den landesrechtlichen Bestimmungen entsorgen.

## 12 Technische Daten

### 12.1 Gewichte

#### 12.1.1 Gewichte Filtereinheit

Maxicaps® MR	Wert	Gesamtgewicht trocken ohne Verpackung*	Gesamtgewicht trocken mit Verpackung*	Gesamtgewicht gefüllt*	Gesamtgewicht entleert (nach IT-Test bei 2,5bar)*
MR2	kg	7	9	14	8
MR3	kg	10	13	21	11
MR4	kg	12	15	27	14
MR5	kg	15	18	33	17
MR6	kg	18	21	41	21
MR7	kg	20	24	46	23
MR8	kg	23	27	52	27
MR9	kg	26	29	60	30

\* Die Werte sind als grobe Richtwerte zu verstehen. Die tatsächlichen Werte sind von mehreren Faktoren (z. B. Filtercharge, Schlauchkonfiguration, Füllstand beim Entlüften) abhängig und können von den hier angegebenen Werten abweichen. Die Werte wurden ermittelt am Beispiel eines Sartopore® 2; 0,2µm, (Eingang | Ausgang je 1,5m TuFlux® TPE + TC-Konnektor)

#### 12.1.2 Gewichte Multi-use-Komponenten

	Einheit	Wert
Trolley	kg	64
Hebegriff (pro Seite)	kg	4
Ventilantrieb	kg	2
Lifting Gear + Arm	kg	11

## 12.2 Maße Gesamtsystem Maxicaps® MR

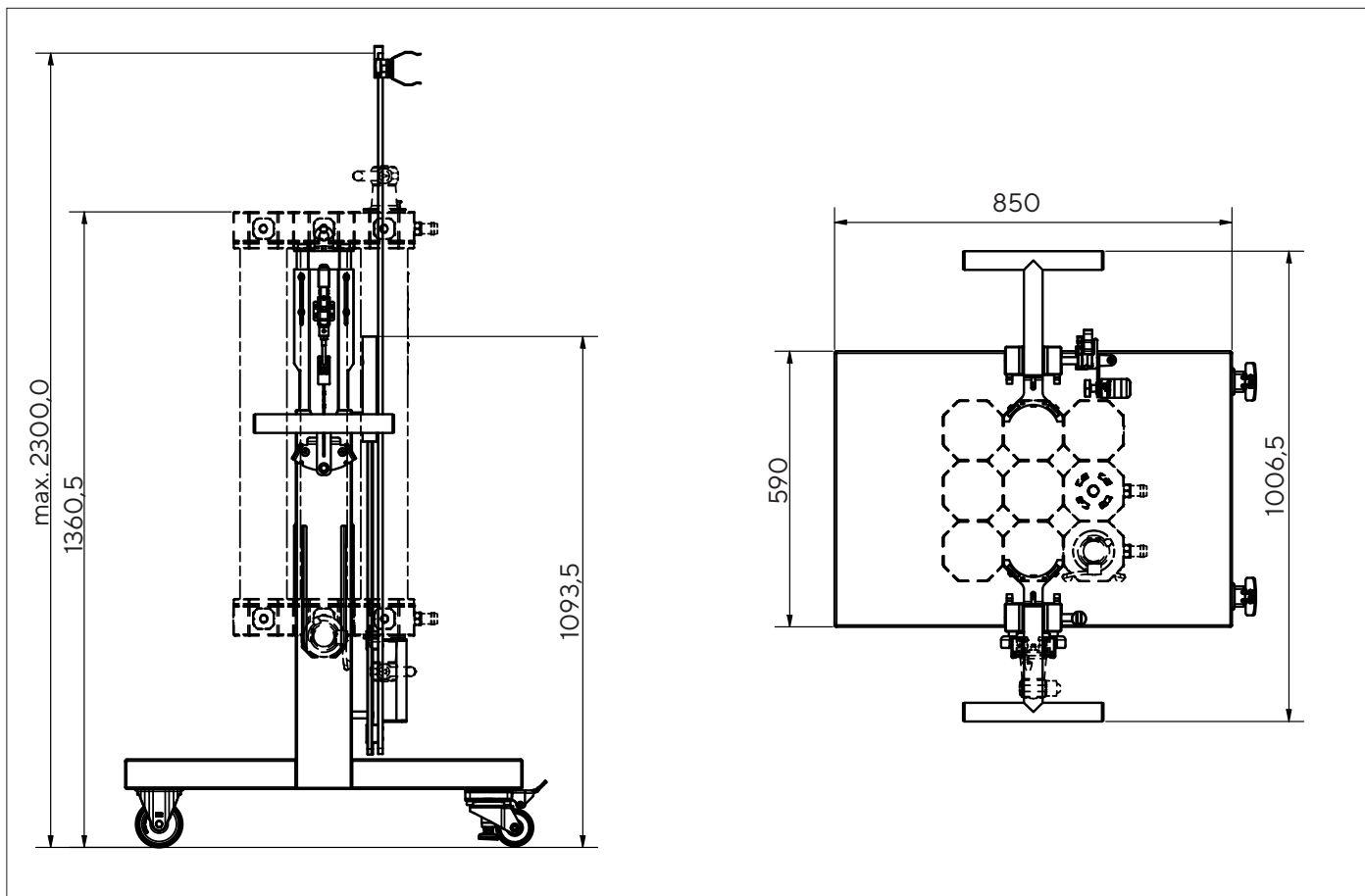


Abb.10: Maße Gesamtsystem in mm

## 12.3 Gesamtvolumen Filtereinheit

Maxicaps® MR	Wert	Gesamtvolumen (Upstream Volume)
MR2	L	7
MR3	L	10
MR4	L	13
MR5	L	15
MR6	L	18
MR7	L	21
MR8	L	24
MR9	L	26

\* Die Werte sind als grobe Richtwerte zu verstehen und können von den hier angegebenen Werten abweichen. Die Werte wurden ermittelt am Beispiel eines Sartopore® 2; 0,2µm, (Eingang | Ausgang je 1,5m TuFlux® TPE + TC-Konnektor)



## 12.4 Umgebungs- und Lagerbedingungen

	Einheit	Wert
Temperatur		
Betrieb, Lagerung, Transport	°C	+5 – +40
Während des Filter-Integritätstest	Konstante Umgebungstemperatur	
Relative Luftfeuchte (Betrieb, Lagerung, Transport)	%	< 85

## 12.5 Parameter Filter-Integritätstest

	Einheit	Wert
Zulässige Gase		Druckluft, Stickstoff
Druck, maximal*	bar	2,5

\* Filterspezifische Testparameter siehe Datenblatt

## 12.6 Parameter für das Entleeren der Filtereinheit mit Druckluft

	Einheit	Wert
Druck, maximal	bar	0,5

## 12.7 Maximale Betriebsdauer pro Filtereinheit

	Einheit	Wert
Zeit	h	48
Druckzyklen (1 Druckzyklus = $\Delta p > 20\%$ )		500

## 12.8 Lebensdauer Trolley, Ventilantriebe und Hebegriffe

	Einheit	Wert
Lebensdauer	a	8

## 12.9 Zugelassene Filtereinheiten

Maxicaps MR® Filtereinheit Typ FMRxxxxx\*

\* abhängig von der Konfiguration

## 12.10 Werkstoffe Multi-use-Komponenten

	Material
Trolley	Edelstahl
Hebegriffe	Edelstahl

## 12.11 Reinigungsmittel und Reinigungsverfahren

### Reinigungsmittel

**Keine** ätzenden oder scheuernden Bestandteile

**Keine** chlor- oder chloridhaltigen Bestandteile

**Keine** Lösungsmittel

### Reinigungsverfahren

**Keine** Hochdruckreiniger oder Dampfstrahlreiniger

**Keine** Sprühnebelverfahren zum Reinigen oder Desinfizieren

## 13 Zubehör

Diese Tabelle enthält einen Auszug der bestellbaren Zubehöerteile. Für Informationen zu weiteren Artikeln Sartorius kontaktieren.

Artikel	Menge	Bestellnummer
Pressure Safety Device	1	26787---PS
Flexsafe® STR 500 - 1000 Lifting Device (Fa. Tawi)	1	DZ-----LT2
Flexsafe® STR 2000 Lifting Device (Fa. Tawi)	1	DZ-----LT1

## 14 Sartorius Service

Der Sartorius Service steht bei Rückfragen zum System gern zur Verfügung. Für Informationen zu den Service-Adressen, Service-Leistungen und zum Kontakt vor Ort siehe die Sartorius-Internetseite ([www.sartorius.com](http://www.sartorius.com)).

Bei Anfragen zum System und für den Kontakt bei Fehlfunktionen die Systeminformationen bereithalten und dem Sartorius Service mitteilen, z. B. Seriennummer. Dazu die Informationen auf dem Typenschild beachten.

## 15 Dokumente zur Konformität

Mit den beigefügten Dokumenten wird die Übereinstimmung des Geräts mit den benannten Richtlinien oder Normen erklärt.

# Table des matières

<b>1</b>	<b>À propos de ce manuel</b>	<b>94</b>
1.1	Validité	94
1.2	Documents associés	94
1.3	Groupes cibles	94
1.4	Typographie	95
1.4.1	Avertissements dans la description des opérations	95
1.4.2	Autres signes typographiques	95
<b>2</b>	<b>Consignes de sécurité</b>	<b>96</b>
2.1	Utilisation conforme	96
2.1.1	Modifications du système	96
2.1.2	Qualification du personnel	97
2.2	Dispositifs de sécurité	97
2.3	Informations de sécurité sur le système	97
2.4	Accessoires	97
2.5	Équipement de protection individuelle	97
2.6	Détérioration de l'unité de filtration	98
2.7	Poids élevé	98
2.8	Outil de levage	98
2.9	Médias sous pression	98
2.10	Déplacement involontaire du système	98
2.11	Basculement du système	99
<b>3</b>	<b>Description du système</b>	<b>100</b>
3.1	Vue d'ensemble du système	100
3.2	Chariot muni de poignées de levage	101
3.3	Unité de filtration	102
3.4	Étiquette de l'unité de filtration	103
3.5	Fonction de pivotement	104
3.6	Moteurs de vannes	105
3.7	Dispositifs de sécurité	106
3.8	Symboles sur le système	107
<b>4</b>	<b>Installation</b>	<b>108</b>
4.1	Choisir le lieu d'installation	108
4.2	Déballage	108
4.2.1	Déballer le chariot et les poignées de levage	108
4.2.2	Déballer l'unité de filtration Maxicaps® MR	108
4.3	Positionner et sécuriser le chariot sur le lieu d'installation	109
4.4	Monter la rallonge pour rail du système	110
4.5	Régler le support de filtre à air	110
<b>5</b>	<b>Préparation du processus</b>	<b>111</b>
5.1	Monter Maxicaps® MR	111
5.1.1	Monter les poignées de levage sur l'unité de filtration	111
5.1.2	Monter l'unité de filtration sur le chariot sans Flexsafe® STR Lifting Device	113
5.1.3	Installer le Lifting Gear sur le Flexsafe® STR Lifting Device	114
5.1.4	Monter l'unité de filtration sur le chariot avec un Flexsafe® STR Lifting Device	115

5.2	Monter les moteurs de vannes.....	117
5.3	Monter le filtre à air .....	119
<b>6</b>	<b>Fonctionnement .....</b>	<b>120</b>
6.1	Remplir et purger l'unité de filtration .....	120
6.2	Rincer l'unité de filtration .....	121
6.3	Effectuer la filtration .....	122
6.4	Effectuer un test d'intégrité des filtres .....	122
6.5	Vider l'unité de filtration .....	123
6.5.1	Vider l'unité de filtration par gravimétrie .....	123
6.5.2	Vider l'unité de filtration au moyen d'air comprimé .....	124
6.6	Séparer les raccords et les moteurs de vannes de l'unité de filtration.....	124
6.7	Monter l'unité de filtration et les poignées de levage sans Flexsafe® STR Lifting Device.....	125
6.8	Démonter l'unité de filtration et les poignées de levage avec le Flexsafe® STR Lifting Device .....	126
<b>7</b>	<b>Nettoyage .....</b>	<b>129</b>
7.1	Nettoyer le chariot et les poignées de levage.....	129
<b>8</b>	<b>Erreurs .....</b>	<b>129</b>
<b>9</b>	<b>Transport.....</b>	<b>130</b>
<b>10</b>	<b>Stockage et expédition .....</b>	<b>131</b>
10.1	Stocker le chariot et les poignées de levage .....	131
10.2	Renvoyer le système et les composants .....	131
<b>11</b>	<b>Élimination.....</b>	<b>131</b>
11.1	Éliminer le système et les composants.....	131
<b>12</b>	<b>Caractéristiques techniques .....</b>	<b>132</b>
12.1	Poids .....	132
12.1.1	Poids de l'unité de filtration .....	132
12.1.2	Poids des composants multi-usages .....	132
12.2	Dimensions du système Maxicaps® MR complet .....	133
12.3	Volume total de l'unité de filtration .....	133
12.4	Conditions ambiantes et de stockage .....	134
12.5	Paramètres du test d'intégrité des filtres.....	134
12.6	Paramètres pour la vidange de l'unité de filtration au moyen d'air comprimé ..	134
12.7	Durée de fonctionnement maximale par unité de filtration.....	134
12.8	Durée de vie du chariot, moteur de vanne et des poignées de levage .....	134
12.9	Unités de filtration autorisées.....	134
12.10	Matériaux des composants multi-usages .....	135
12.11	Produits de nettoyage et procédures de nettoyage .....	135
<b>13</b>	<b>Accessoires .....</b>	<b>136</b>
<b>14</b>	<b>Sartorius Service .....</b>	<b>136</b>
<b>15</b>	<b>Documents de conformité .....</b>	<b>136</b>

# 1 À propos de ce manuel

## 1.1 Validité

Ce manuel fait partie intégrante du système. Il doit être lu dans son intégralité et être conservé. Il est valable pour les versions suivantes du produit :

Système et accessoires	Numéro de matériel
Chariot	FIA500010
Poignées de levage	FIA500011
Lifting Gear	FIA500012
Moteur de vanne	FIA500013
Pressure Safety Device	26787---PS
Unité de filtration Maxicaps® MR à usage unique	FMR5xxxxx*
* selon la configuration	

## 1.2 Documents associés

- ▶ Consulter les documents suivants en plus de ce manuel :
  - Manuel de l'appareil de test d'intégrité des filtres, p. ex. Sartocheck® 5
  - Manuel pour les appareils de levage TAWI (Flexsafe® STR Lifting Device)
  - Manuel des connecteurs
  - Fiche technique Maxicaps® MR

## 1.3 Groupes cibles

Ce manuel s'adresse aux groupes cibles suivants. Les groupes cibles doivent avoir les connaissances mentionnées.

Groupe cible	Connaissances et qualifications
Opérateur	L'opérateur connaît le système et les processus de travail qui y sont associés. L'opérateur connaît les dangers potentiels lors du travail avec le système et il est en mesure de les éviter.

## 1.4 Typographie

### 1.4.1 Avertissements dans la description des opérations

---

#### **AVERTISSEMENT**

Signale un danger qui est susceptible d'entraîner la mort ou des blessures graves s'il n'est **pas** évité.

---

#### **ATTENTION**

Signale un danger qui est susceptible d'entraîner des blessures moyennes ou légères s'il n'est **pas** évité.

---

#### **AVIS**

Signale un danger qui est susceptible de provoquer des dommages matériels s'il n'est **pas** évité.

---

### 1.4.2 Autres signes typographiques

- ▶ Instruction : décrit des actions qui doivent être effectuées. Les actions faisant partie de séquences d'actions doivent être effectuées les unes après les autres.
- ▷ Résultat : décrit le résultat des actions qui viennent d'être effectuées.

#### **Illustrations dans ce manuel**

Selon la configuration du système, il se peut que les illustrations du système diffèrent légèrement du système livré. Les versions de l'appareil représentées dans ce manuel sont des exemples.

## 2 Consignes de sécurité

### 2.1 Utilisation conforme

Maxicaps® MR est un système conçu pour la filtration de liquides à base d'eau et la réalisation de tests d'intégrité des filtres. Le système se compose du chariot à composants multi-usages, de poignées de levage, de moteurs de vannes ainsi que d'une unité de filtration à usage unique. Cette dernière doit être adaptée au système (pour les unités de filtration autorisées, voir chapitre 12.9, page 134) :

Il est **interdit** d'effectuer les processus suivants avec le système :

- Processus de filtration utilisant des matières biologiques de la classe de sécurité 3 ou 4 (selon la directive européenne 2000/54/CE)
- Processus de filtration utilisant des substances dangereuses selon le règlement allemand sur les substances dangereuses (GefStoffV)

Le système est uniquement destiné à être utilisé conformément à ce manuel. Toute autre utilisation est considérée comme **non** conforme.

#### Mauvais usage prévisible

Les utilisations suivantes sont **interdites** :

- Utilisation pour d'autres processus qui ne sont pas autorisés de manière explicite
- Utilisation comme marchepied
- Utilisation de l'unité de filtration à usage unique comme surface d'installation
- Utilisation du chariot comme chariot de transport
- Utilisation du système pour la filtration de gaz (à l'exception du test d'intégrité des filtres)

#### Conditions d'utilisation du système

Ne **pas** utiliser le système dans des atmosphères présentant des risques d'explosions. Utiliser le système uniquement dans des bâtiments.

Utiliser le système uniquement avec l'équipement et dans les conditions de fonctionnement qui sont spécifiés dans les caractéristiques techniques de ce manuel.

#### 2.1.1 Modifications du système

Si le système est modifié : des personnes peuvent être mises en danger. Les documents propres au système et les homologations du produit peuvent perdre leur validité.

En cas de questions concernant les modifications du système, contacter Sartorius.



## 2.1.2 Qualification du personnel

Les personnes ne disposant pas de connaissances suffisantes sur la manière d'utiliser le système peuvent se blesser ou blesser d'autres personnes.

Si une qualification particulière est nécessaire pour effectuer une opération : le groupe cible est indiqué. Si **aucune** qualification n'est indiquée : l'opération peut être effectuée par le groupe cible « Opérateur ».

## 2.2 Dispositifs de sécurité

Les dispositifs de sécurité protègent les personnes qui travaillent avec le système contre les risques qui émanent du système, p. ex. la surpression. Si les dispositifs de sécurité du système sont démontés ou modifiés : des personnes risquent d'être grièvement blessées.

- ▶ Ne **pas** démonter, ne **pas** modifier et ne **pas** désactiver les dispositifs de sécurité (pour les dispositifs de sécurité, voir chapitre 3.7, page 106).

## 2.3 Informations de sécurité sur le système

Les symboles, p. ex. les avertissements ou les autocollants de sécurité, sont des informations de sécurité pour l'utilisation du système. En cas d'informations de sécurité manquantes ou illisibles, celles-ci risquent de ne **pas** être prises en compte. Des personnes risquent d'être blessées.

- ▶ Ne **pas** couvrir, ne **pas** retirer et ne **pas** modifier les symboles.
- ▶ Remplacer les symboles s'ils sont illisibles.

## 2.4 Accessoires

Des accessoires inadaptés peuvent nuire au fonctionnement et à la sécurité, et avoir les conséquences suivantes :

- Dangers pour les personnes
- Dommages, dysfonctionnements ou panne totale du système
- ▶ Utiliser uniquement les accessoires autorisés par Sartorius chapitre 9, page 130 et dont l'utilisation est sûre.

## 2.5 Équipement de protection individuelle

L'équipement de protection individuelle protège contre les risques qui émanent du système Maxicaps® MR et de l'unité de filtration. Si l'équipement de protection individuelle manque ou n'est pas adapté aux processus de travail sur le système : des personnes risquent d'être blessées.

Il faut porter l'équipement de protection individuelle suivant :

- Vêtements de travail de sécurité
- Gants de protection
- Lunettes de protection
- Chaussures de sécurité

## 2.6 Détérioration de l'unité de filtration

Les unités de filtration peuvent être endommagées par des chocs, en cas de chute par exemple. Des unités de filtration endommagées peuvent provoquer des blessures.

- ▶ **Ne plus** utiliser les unités de filtration après un choc, et les éliminer.

## 2.7 Poids élevé

L'unité de filtration est lourde. Il existe un risque de blessures en cas de soulèvement et de transport de l'unité de filtration, par ex. en la laissant tomber.

- ▶ Pour soulever et transporter l'unité de filtration, se faire aider par d'autres personnes.
- ▶ Sartorius recommande d'utiliser un dispositif de levage adéquat pour soulever et transporter l'unité de filtration, comme par ex. Lifting Gear Maxicaps® MR.

## 2.8 Outil de levage

En cas d'utilisation d'un outil de levage pour transporter l'unité de filtration : les personnes peuvent être gravement blessées en cas d'utilisation incorrecte de l'outil de levage, en cas de chute de l'unité de filtration, par ex.

- ▶ Porter l'équipement de protection individuelle adapté.
- ▶ Fixer l'outil de levage aux positions appropriées (voir chapitre « 9 Transport », page 130).

## 2.9 Médias sous pression

Lorsque le système est soumis à une pression trop élevée, l'éclatement de tubes, de connexions ou d'autres composants système peut provoquer des blessures.

- ▶ Porter l'équipement de protection individuelle adapté.
- ▶ **Ne pas** dépasser la pression de service maximale (pression de service maximale : voir l'étiquette de l'unité de filtration).
- ▶ Utiliser un instrument de contrôle de la pression.
- ▶ **Ne pas** exécuter les processus de transfert de liquides sans surveillance.

## 2.10 Déplacement involontaire du système

Si le chariot bouge de manière involontaire : il peut provoquer des blessures.

- ▶ Placer le système uniquement sur une surface plane.
- ▶ Actionner les 2 freins d'arrêt des roues de transport.

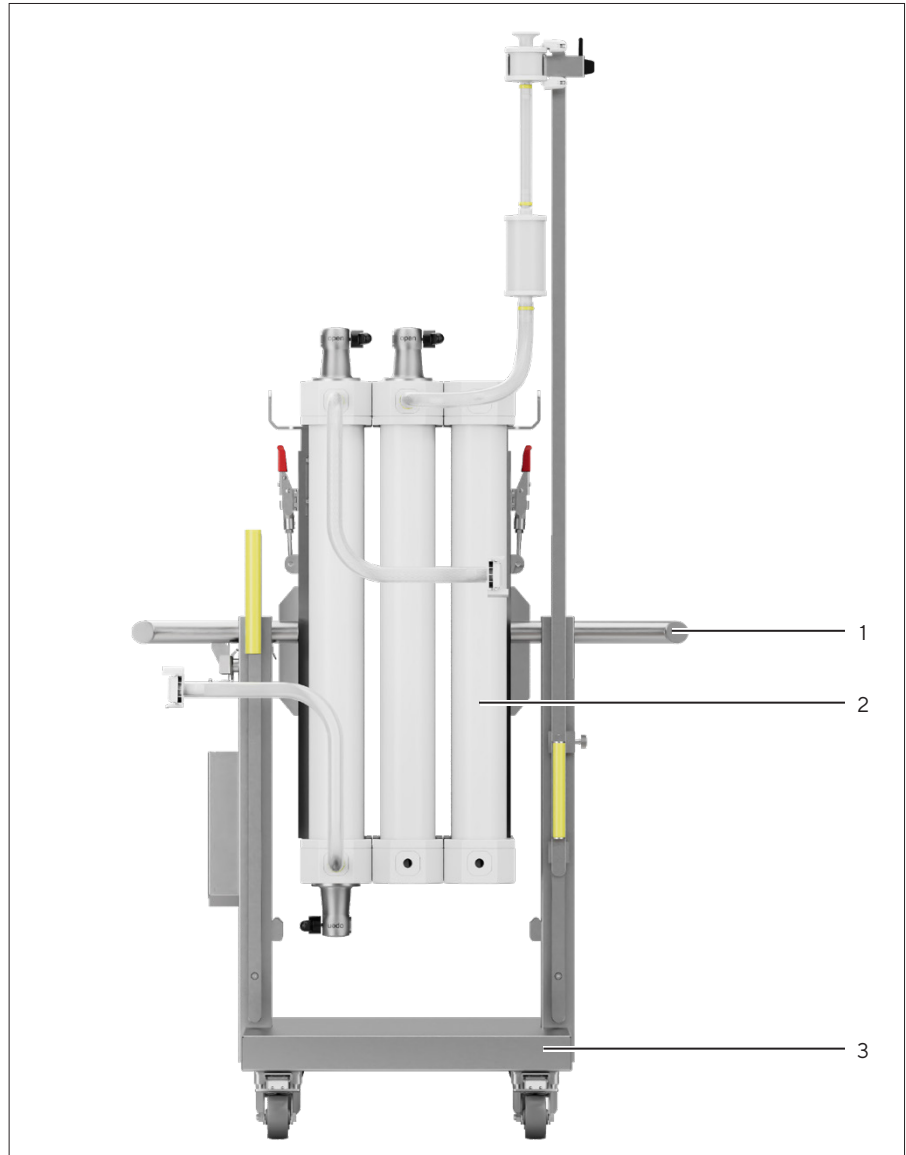
## 2.11 Basculement du système

En raison du poids important du système, il peut entraîner des blessures graves en cas de basculement.

- ▶ Lorsque l'unité de filtration est remplie ou pendant le processus de filtration : ne **pas** déplacer le chariot.

## 3 Description du système

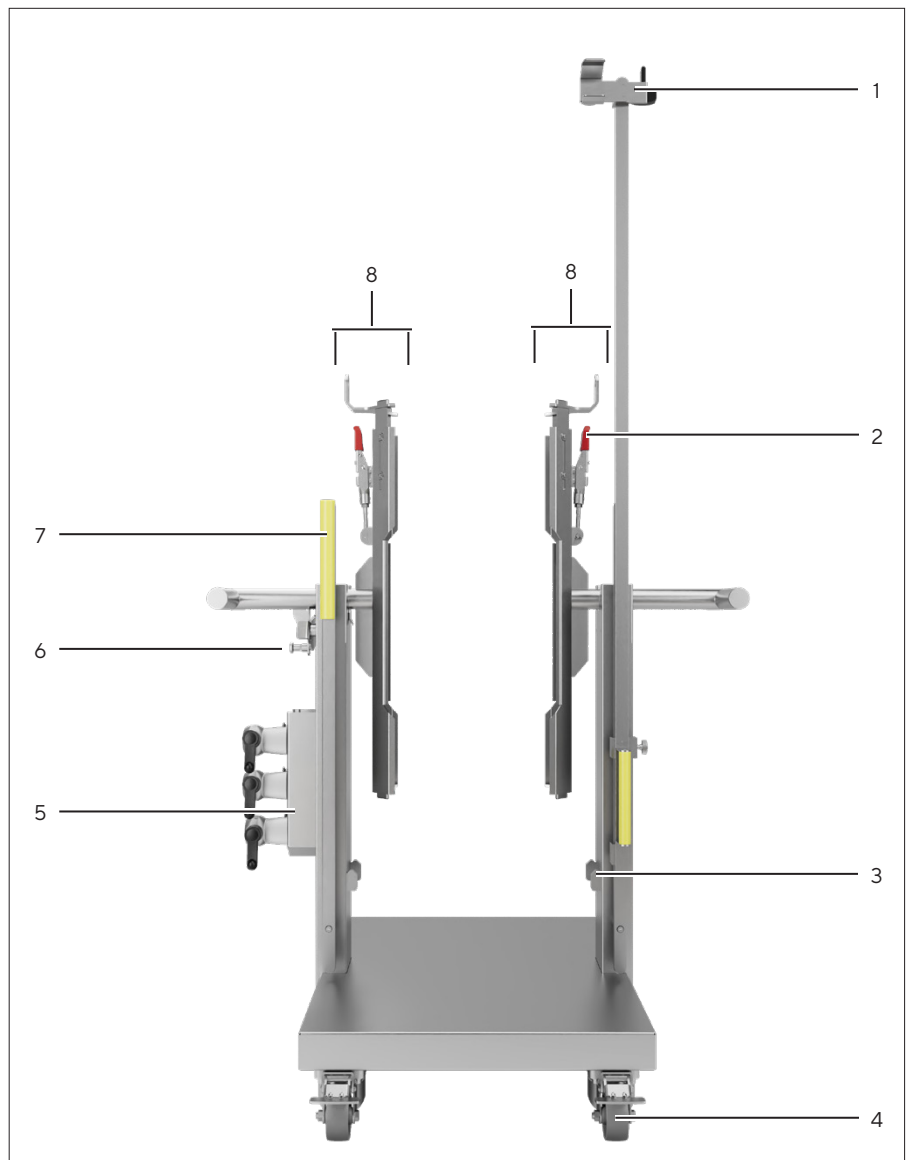
### 3.1 Vue d'ensemble du système



III.1: Système Maxicaps® MR

Pos.	Nom	Description
1	Poignée de levage	Se fixe sur l'unité de filtration.
2	Unité de filtration	
3	Chariot	

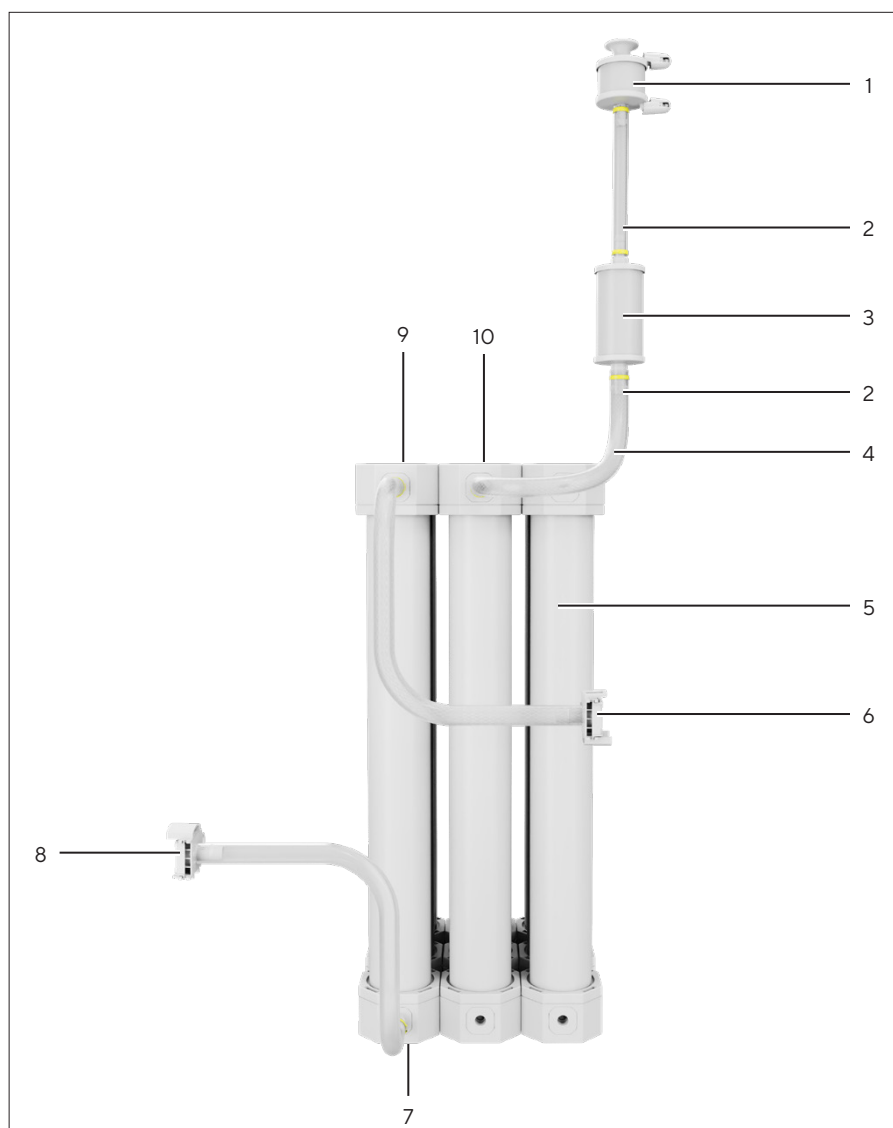
### 3.2 Chariot muni de poignées de levage



III.2: Chariot avec poignées de levage accrochées

Pos.	Nom
1	Support de filtre à air
2	Blocage de l'unité de filtration
3	Support pour poignées de levage
4	Roue de transport
5	Supports pour moteurs de vannes
6	Blocage de la fonction de pivotement
7	Poignée du chariot
8	Poignée de levage

### 3.3 Unité de filtration

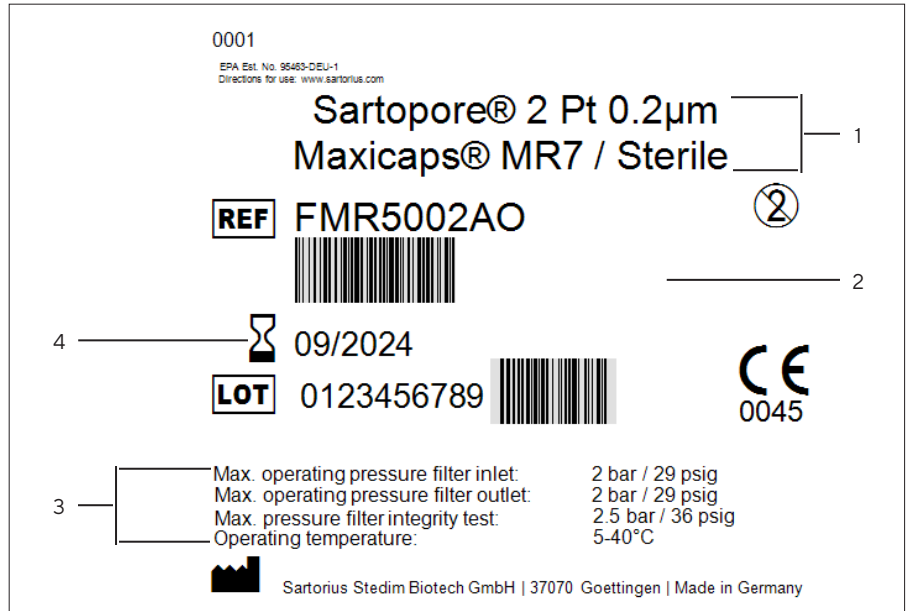


III.3: Unité de filtration de 9 (exemple)

Pos.	Nom
1	Filtre à air (Sartopore® Air)
2	Regard (variante avancée du set de tubes de purge uniquement)
3	Réceptacle de visualisation
4	Set de tubes de purge
5	Unité de filtration
6	Tube Inlet avec connecteur (In)
7	Vanne Outlet
8	Tube Outlet avec connecteur (Out)
9	Vanne Inlet
10	Vanne de purge

### 3.4 Étiquette de l'unité de filtration

L'étiquette de l'unité de filtration définit les pressions de service maximales pour les vannes Inlet et Outlet de l'unité de filtration et pour le test d'intégrité des filtres. Les indications des pressions de service maximales dépendent de la configuration de l'unité de filtration.

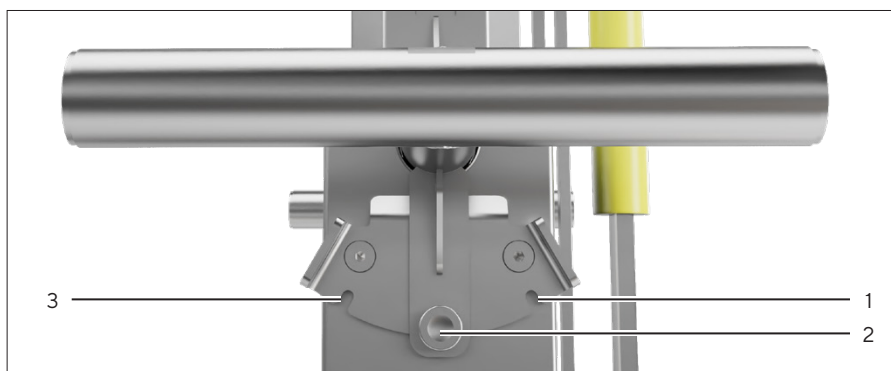


III. 4: Exemple d'étiquette de l'unité de filtration

Pos.	Nom
1	Informations sur le produit
2	Indicateur stérile (uniquement pour la variante stérile)
3	Paramètres de fonctionnement
4	Date de péremption

### 3.5 Fonction de pivotement

La fonction de pivotement permet d'incliner l'unité de filtration. La fonction de pivotement peut être utilisée pour la purge ou la vidange de l'unité de filtration.



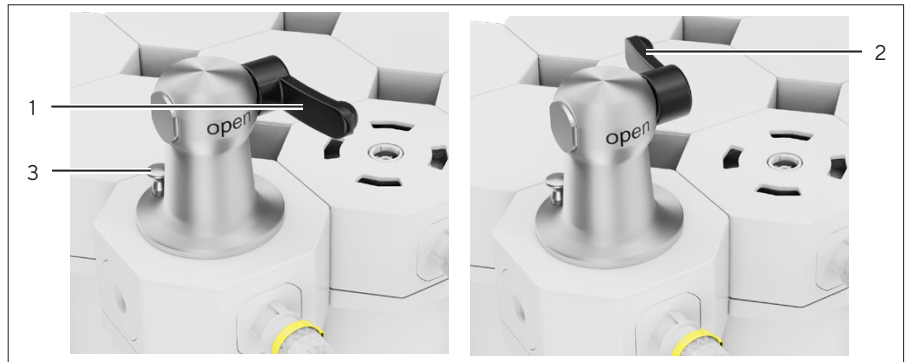
III. 5: Réglages de la fonction de pivotement

Pos.	Nom	Description
1	Position de purge	L'unité de filtration est pivotée d'environ 30° vers la gauche.
2	Position de filtration	L'unité de filtration est orientée à la verticale.
3	Position de vidange	L'unité de filtration est pivotée d'environ 30° vers la droite.



### 3.6 Moteurs de vannes

Les 3 moteurs de vannes servent à ouvrir et à fermer les vannes de l'unité de filtration. Les moteurs de vannes doivent être montés sur l'unité de filtration.



III.6: Moteurs de vannes

Pos.	Nom	Description
1	Moteur de vanne [open]	Le levier du moteur de vanne est dirigé dans le sens [open]. La vanne de l'unité de filtration est ouverte.
2	Moteur de vanne [close]	Le levier du moteur de vanne est dirigé dans le sens [close]. La vanne de l'unité de filtration est fermée.
3	Blocage du moteur de vanne	Sert à fixer le moteur de vanne.

### 3.7 Dispositifs de sécurité


Le Pressure Safety Device (protection contre la pression avec disque de rupture) protège le système pendant un test d'intégrité des filtres et lors du processus de vidange avec de l'air comprimé, d'un endommagement dû à une surpression de plus de 2,5 bar + tolérance de sécurité de 0,5 bar. Le Pressure Safety Device est monté entre le filtre à air et l'appareil de test d'intégrité des filtres ou le raccord d'air comprimé.



III.7: Pressure Safety Device

Pos.	Nom
1	Raccordement pour un appareil de test d'intégrité des filtres ou un filtre à air, par ex.
2	Disque de rupture (installé à l'intérieur)

### 3.8 Symboles sur le système

Symbole	Signification
<p style="text-align: center;"><b>SARTORIUS</b></p> <p><b>Attention!</b></p> <p>Check that sanitary clamps are fitted securely. If necessary, retighten clamps.</p> <p>Do not operate without installing valve drives.</p> <p>Do not exceed max. operating pressure or temperature.</p> <p>Use pressurized gas only with an installed pressure safety device.</p>	<p>Remarque</p> <p>Vérifier que les pinces hygiéniques (variante avancée du set de tubes de purge uniquement) sont correctement installées et les resserrer si nécessaire.</p> <p>Ne <b>pas</b> utiliser le système sans moteur de vanne installé.</p> <p>Ne <b>pas</b> dépasser la température ni la pression de service max.</p> <p>Utiliser l'air comprimé uniquement avec le Pressure Safety Device installé.</p>
	<p>Blessures aux mains : risque d'écrasement en raison du basculement du levier de la poignée de levage</p>

## 4 Installation

### 4.1 Choisir le lieu d'installation

#### Procédure

- ▶ S'assurer que les conditions d'installation sont respectées :

Condition	Caractéristiques
Conditions ambiantes	Compatibilité vérifiée (voir Chapitre 12.4, page 134)
Surface d'installation	<ul style="list-style-type: none"> <li>– Surface stable et plane</li> <li>– Avec peu de vibrations</li> <li>– Surface suffisante pour le système (encombrement de l'appareil, voir Chapitre 12.2, page 133)</li> <li>– Capacité de charge suffisante pour le système, également quand il est rempli (voir Chapitre 12.1, page 132)</li> </ul>

### 4.2 Déballage

#### 4.2.1 Déballer le chariot et les poignées de levage

##### Conditions requises

Les 2 freins d'arrêt des roues de transport sont actionnés.

##### Procédure

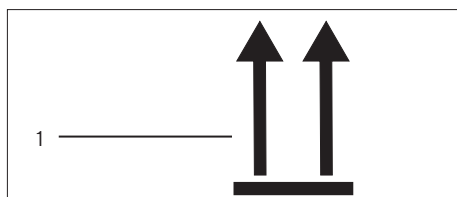
- ▶ Retirer l'emballage de transport.
- ▶ Éliminer l'emballage de transport conformément aux réglementations en vigueur dans le pays.

#### 4.2.2 Déballer l'unité de filtration Maxicaps® MR

Personnel : 2 personnes, opérateurs

##### Procédure

- ▶ Placer le carton de manière à ce que les flèches (1) du carton pointent vers le haut.
- ▶ Ouvrir le carton par le haut.
- ▶ Retirer la protection anti-coupure.



Opérateurs 1 et 2 :

- ▶ **AVIS** Risque de dommages sur l'unité de filtration en cas de mauvaise manipulation !
  - ▶ Ne **pas** soulever l'unité de filtration au niveau des tubes ou des sacs en plastique.
  - ▶ Soulever l'unité de filtration uniquement par le corps du filtre pour la sortir du carton.
- ▶ Déposer l'unité de filtration.
- ▶ Ouvrir et retirer le premier sachet.
- ▶ Ouvrir et retirer le deuxième sachet.
- ▶ Éliminer l'emballage conformément aux réglementations en vigueur dans le pays.

### 4.3 Positionner et sécuriser le chariot sur le lieu d'installation

#### ⚠ ATTENTION

Risque d'écrasement lors du maniement du frein !

- ▶ Actionner le frein d'arrêt uniquement avec le pied.
- ▶ Porter l'équipement de protection individuelle.

#### ⚠ ATTENTION

Risque d'écrasement lors du déplacement du système à la main et risque qu'il roule sur des parties du corps !

- ▶ Ne **pas** placer le système sur une surface en pente.
- ▶ Porter l'équipement de protection individuelle.

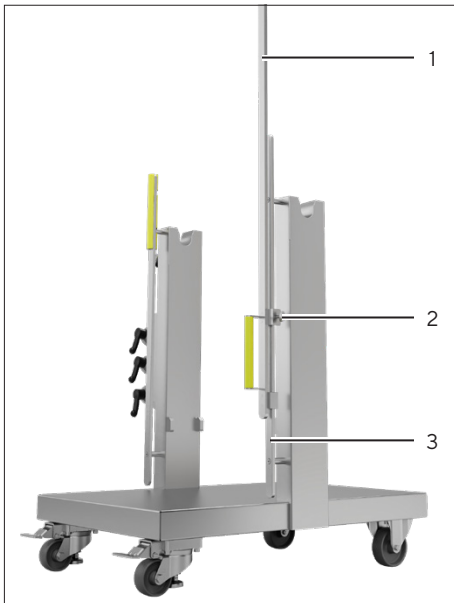
#### Procédure

- ▶ Si le frein des roues de transport est bloqué : Débloquer le frein des roues de transport. Pour cela, relever le levier de blocage (1) avec le pied.
- ▶ Positionner le système à l'endroit souhaité.
- ▶ Bloquer le frein des roues de transport. Pour cela, appuyer sur le levier avec le pied.
- ▶ Le chariot est bloqué.



## 4.4 Monter la rallonge pour rail du système

### Procédure

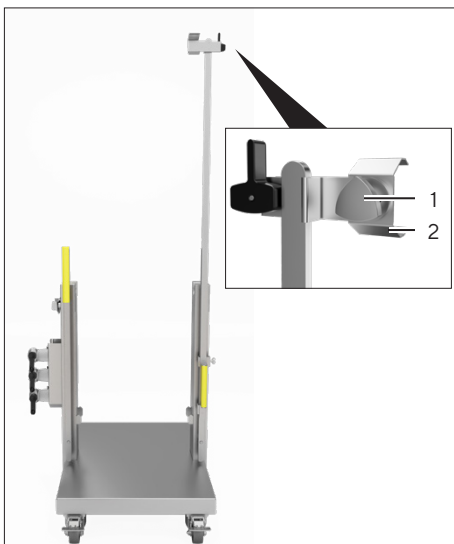


- ▶ Ouvrir la vis papillon (2) au niveau de la rallonge pour rail du système.
- ▶ Faire glisser la rallonge (1) par le haut sur la partie fixe du rail du système (3).
- ▶ Pour fixer la rallonge pour rail du système : fermer la vis papillon (2) au niveau de la rallonge pour rail du système.

## 4.5 Régler le support de filtre à air

La pince du support de filtre à air doit être tournée une fois à 90° pour que ce dernier puisse être fixé à la verticale.

### Procédure



- ▶ Desserrer la vis de poignée (1) sur la pince du filtre à air.
- ▶ Tourner la pince du filtre à air (2) à 90°.
- ▶ Serrer la vis de poignée sur la pince du filtre à air.

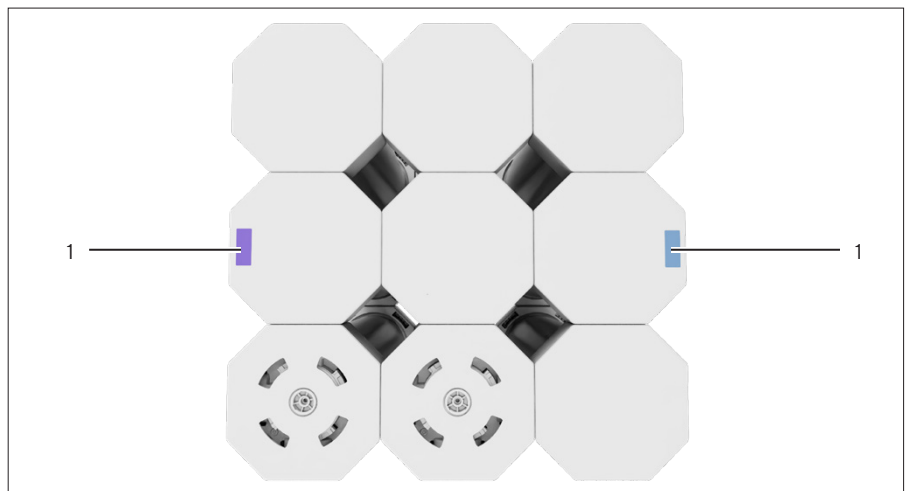
## 5 Préparation du processus

### 5.1 Monter Maxicaps® MR

Le montage est illustré à l'aide d'un élément comprenant 9 unités de filtration (MR9).

#### 5.1.1 Monter les poignées de levage sur l'unité de filtration

Selon la configuration de l'unité de filtration (MR2 - MR9), les poignées de levage doivent être placées à différents endroits. Des repères de couleur sur les poignées de levage et sur l'unité de filtration indiquent la bonne position.



Ill. 8: Repère de couleur sur l'unité de filtration - Vue de dessus

Pos.	Nom	Description
1	Repère de couleur de l'unité de filtration	<ul style="list-style-type: none"> <li>– Indique la bonne position pour le montage des poignées de levage.</li> <li>– Le repère de couleur des poignées de levage doit concorder avec celui de l'unité de filtration.</li> </ul>

Personnel : 2 personnes, opérateurs

#### Conditions requises

L'unité de filtration est déballée.

Procédure

- ▶ Placer l'unité de filtration à la verticale.
- ▷ Le set de tubes de purge et celui de tubes Inlet sont situés en haut. La flèche correspondant à l'indicateur de débit pointe vers le haut.

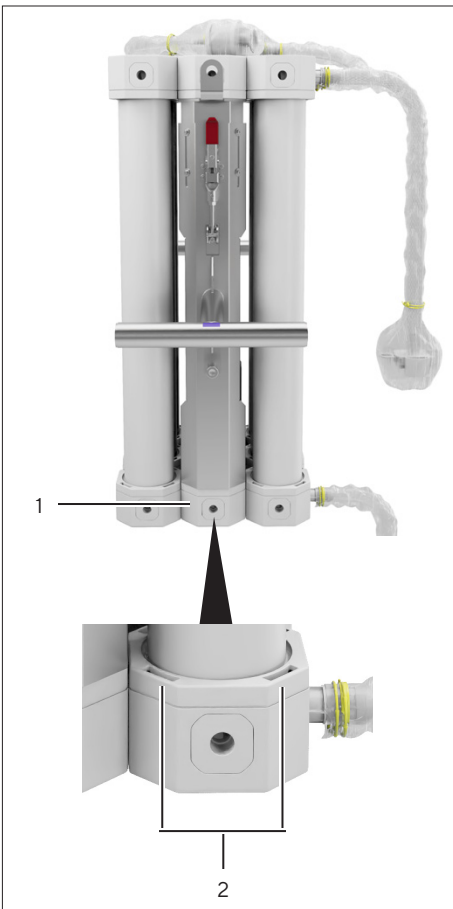


Opérateur 1:

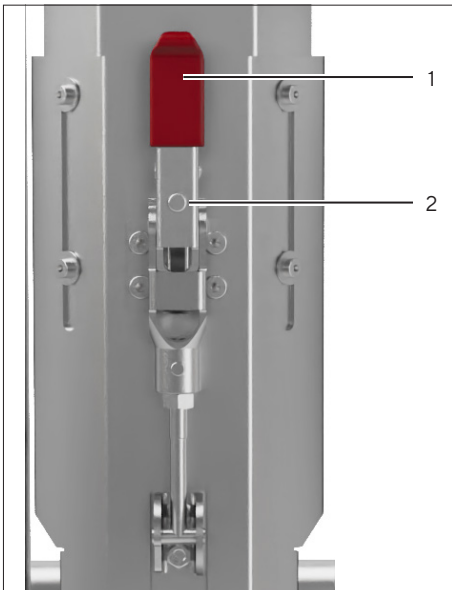
- ▶ Tenir l'unité de filtration.

Opérateur 2:

- ▶ Pour mettre en place la poignée de levage munie du repère violet :
  - ▶ Repérer le côté de l'unité de filtration où est situé le repère violet.
  - ▶ Insérer la poignée de levage dans les ouvertures (2) de l'Outlet Plate (1).







- ▶ **⚠ ATTENTION** Risque de se coincer les doigts lors de l'actionnement du levier (1) ! Appuyer sur le dispositif de verrouillage (2) de la poignée et abaisser doucement le levier.
  - ▶ Placer la poignée de levage à fleur de l'élément de filtration.
  - ▶ Rabattre le levier (1) vers le haut.
  - ▷ Le dispositif de verrouillage (2) s'enclenche.
  - ▶ Si le montage de la poignée de levage n'est pas possible ou s'il n'est possible qu'avec un degré de compression élevé, vérifier la position de la poignée de levage et l'adapter si nécessaire.
- ▶ Monter la poignée de levage munie du repère turquoise de la même manière.

### 5.1.2 Monter l'unité de filtration sur le chariot sans Flexsafe® STR Lifting Device

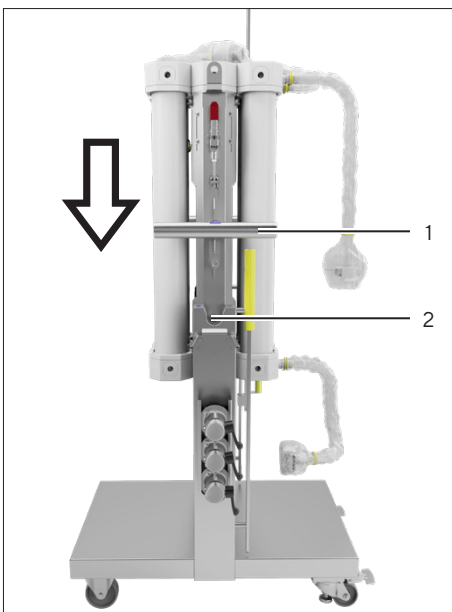
Personnel : 2 personnes, opérateurs

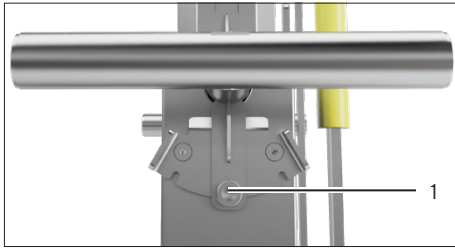
#### Conditions requises

Les poignées de levage sont montées sur l'unité de filtration.

#### Procédure

- ▶ À l'aide des poignées de levage, orienter l'élément de filtration de manière à ce que le repère de couleur de la poignée corresponde au repère de couleur du chariot.
- ▶ Au moyen des deux poignées de levage (1), soulever l'élément de filtration et l'insérer dans les encoches (2) du chariot.



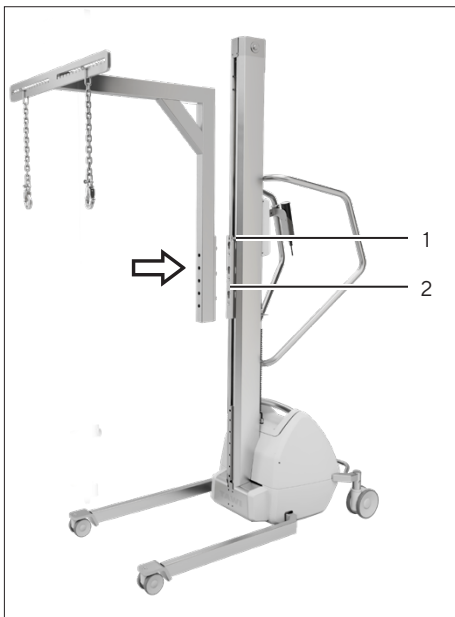


- ▶ Vérifier que le dispositif de blocage de la fonction de pivotement est enclenché dans la position de filtration (1).

### 5.1.3 Installer le Lifting Gear sur le Flexsafe® STR Lifting Device

#### Procédure

- ▶ Insérer le Lifting Gear dans l'élément de connexion (2) du Flexsafe® STR Lifting Device.
- ▶ Vérifier que le boulon de sécurité (1) est bien enclenché.



### 5.1.4 Monter l'unité de filtration sur le chariot avec un Flexsafe® STR Lifting Device

Personnel : 2 personnes, opérateurs

Matériel : Lifting Gear Maxicaps® MR et Flexsafe® STR Lifting Device



III.9: Lifting Gear

Pos.	Nom	Description
1	Crochet	Permet de fixer le Lifting Gear aux points d'ancrage de l'unité de filtration.
2	Plage de réglage	Permet une adaptation à la largeur de l'unité de filtration.

#### Conditions requises

- Les poignées de levage sont montées sur l'unité de filtration.
- Le chariot est positionné de manière à ce que le rail du système avec le support de filtre à air soit orienté vers l'arrière.
- Les freins d'arrêt sont actionnés.

**⚠ AVERTISSEMENT**

Risque de blessures dues à la chute d'éléments du système !

- ▶ Respecter la procédure lors du montage.

**⚠ AVERTISSEMENT**

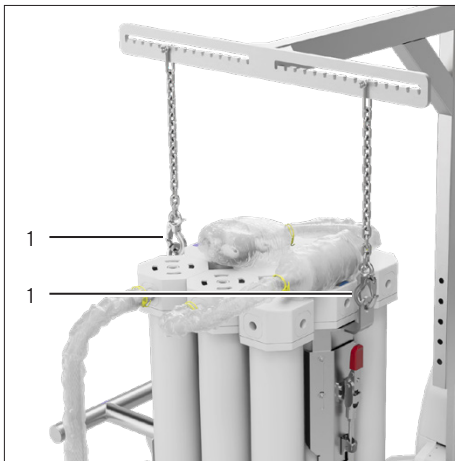
Risque de blessures en cas de basculement du Flexsafe® STR Lifting Device !

Le dispositif Flexsafe® STR Lifting Device peut basculer en cas de dépassement de la capacité de charge maximale. Cela peut provoquer des blessures.

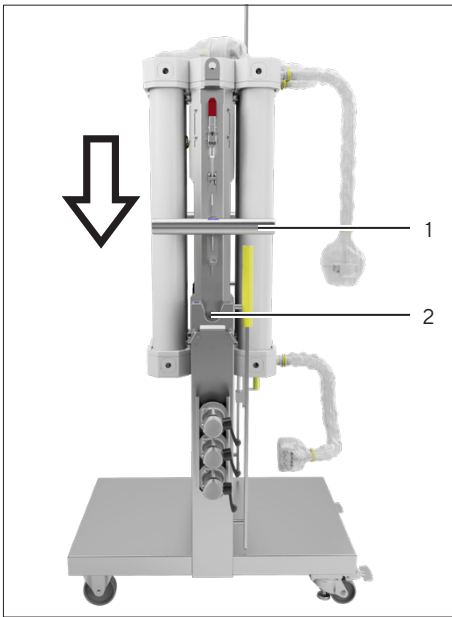
- ▶ Respecter la capacité de charge maximale du Flexsafe® STR Lifting Device (voir le diagramme de la capacité de charge du Flexsafe® STR Lifting Device).

**Procédure**

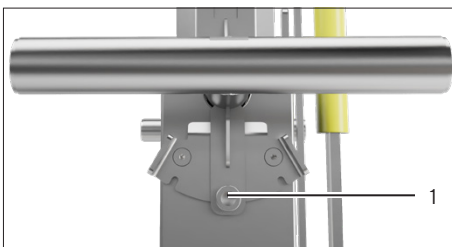
- ▶ À l'aide des poignées de levage, orienter l'élément de filtration devant le chariot de manière à ce que le repère de couleur de la poignée corresponde au repère de couleur du chariot.
- ▶ Positionner le Flexsafe® STR Lifting Device au-dessus de l'unité de filtration.
- ▶ **⚠ AVERTISSEMENT** Risque de blessures en cas de chute de l'unité de filtration ! Accrocher uniquement les 2 crochets du Lifting Gear aux 2 points d'ancrage (œilletons) (1) des poignées de levage.



- ▶ Régler le Lifting Gear à la largeur de l'unité de filtration. Pour ce faire, déplacer la chaîne dans une encoche appropriée dans la zone de réglage du Lifting Gear.
- ▶ Recommandation : les chaînes doivent être déplacées dans les encoches de manière à ce que la distance au centre soit la plus uniforme possible.
- ▶ Soulever l'unité de filtration vers le haut à l'aide du Flexsafe® STR Lifting Device.
- ▶ Approcher le Flexsafe® STR Lifting Device du chariot et le positionner au-dessus de ce dernier.



- ▶ Abaisser lentement l'unité de filtration. Introduire les 2 poignées de levage (1) dans les encoches (2) du chariot.



- ▶ Fixer le dispositif de blocage pour la fonction de pivotement dans la position de filtration (1).

- ▶ Décrocher les 2 crochets du Lifting Gear des points d'ancrage de l'unité de filtration.

## 5.2 Monter les moteurs de vannes

3 moteurs de vannes sont montés sur l'unité de filtration :

- Le moteur de vanne Inlet, situé sur le dessus de l'unité de filtration, ouvre et ferme cette vanne.
- Le moteur de vanne de purge, situé sur le dessus de l'unité de filtration, ouvre et ferme cette vanne.
- Le moteur de vanne Outlet, situé sur le dessous de l'unité de filtration, ouvre et ferme cette vanne.

---

### AVIS

**Endommagement de la vanne interne de l'unité de filtration en raison d'un montage répété du moteur de vanne !**

- ▶ Ne pas monter le moteur de vanne plus de 3 fois sur la même vanne d'un élément de filtration.
- 

### Condition requise

Les 3 moteurs de vannes sont en position [open].

### Procédure

- ▶ Retirer les 3 moteurs de vannes du support de vannes.

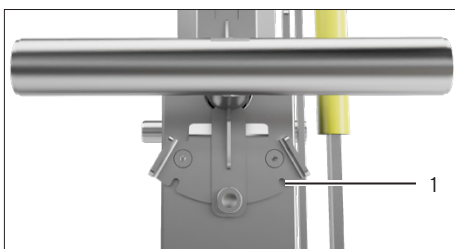
### Élément de filtration avec set de tubes de purge

- ▶ Pour monter le moteur de vanne de purge sur le dessus de l'élément de filtration :
  - ▶ Tirer le dispositif de blocage (1) du moteur de vanne vers le haut et placer le moteur de vanne sur la partie supérieure de l'unité de filtration.
  - ▶ Tourner le moteur de vanne dans le sens des aiguilles d'une montre jusqu'à ce que le dispositif de blocage s'enclenche.
- ▶ Vérifier que le moteur de vanne est correctement connecté. Le moteur de vanne ne doit **pas** pouvoir être tourné dans le sens inverse des aiguilles d'une montre.
  - ▶ Si nécessaire : remonter le moteur de vanne.
- ▶ Fermer une fois le moteur de vanne puis le rouvrir.
- ▶ Le moteur de vanne se connecte avec la membrane de la vanne.



### Élément de filtration avec tube Inlet et Outlet :

- ▶ Pour monter le moteur de vanne Inlet sur le dessus de l'élément de filtration :
  - ▶ Tirer le dispositif de blocage du moteur de vanne vers le haut et placer le moteur de vanne sur la partie supérieure de l'unité de filtration.
  - ▶ Tourner le moteur de vanne dans le sens des aiguilles d'une montre jusqu'à ce que le dispositif de blocage s'enclenche.
- ▶ Vérifier que le moteur de vanne est correctement connecté. Le moteur de vanne ne doit **pas** pouvoir être tourné dans le sens inverse des aiguilles d'une montre.
  - ▶ Si nécessaire : remonter le moteur de vanne.
- ▶ Fermer une fois le moteur de vanne puis le rouvrir.
- ▶ Le moteur de vanne se connecte avec la membrane de la vanne.
- ▶ En option : pour faciliter l'accès à la vanne Outlet, placer l'unité de filtration en position de purge (1) au moyen de la fonction de pivotement.
- ▶ Pour monter le moteur de vanne Outlet sur le dessous de l'unité de filtration, procéder de la même manière que pour le moteur de vanne Inlet ou que pour le moteur de vanne de purge.



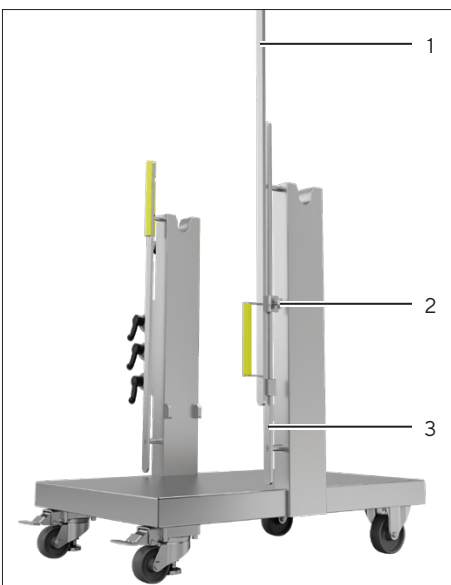
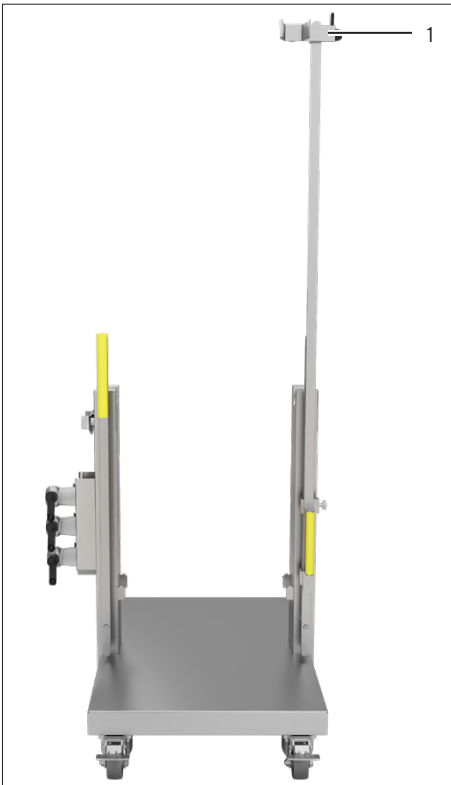
## 5.3 Monter le filtre à air

### Condition requise

Le support de filtre à air est réglé de manière à ce que le filtre puisse être monté à la verticale (voir chapitre « 4.5 Régler le support de filtre à air », page 110).

### Procédure

- ▶ Retirer le tube et le filtre à air du sachet en plastique et retirer les serre-câbles.
- ▶ Vérifier que les pinces du tube de purge sont bien fixées.
  - ▶ Si nécessaire : serrer les pinces.
- ▶ Fixer le filtre dans le support de filtre à air (1).



- ▶ Pour régler le rail du système à une hauteur adaptée :
  - ▶ Ouvrir la vis papillon (2) au niveau de la rallonge pour rail du système.
  - ▶ Pousser la rallonge pour rail du système (1) vers le haut à l'aide la poignée (3).
  - ▶ Une fois que la position souhaitée est atteinte, serrer la vis papillon (2).
- ▶ S'assurer que le set de tubes de purge **n'est pas** plié et qu'il ne s'affaisse **pas**.
  - ▶ Si nécessaire : corriger la hauteur du rail du système.

## 6 Fonctionnement

### 6.1 Remplir et purger l'unité de filtration

#### Conditions requises

- L'unité est en position de filtration.
- Le filtre à air est scellé dans le support correspondant.
- Les moteurs de vannes sont montés.

#### **⚠ ATTENTION**

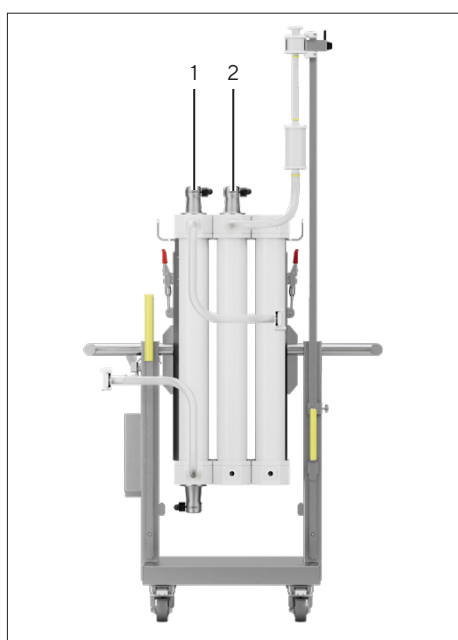
##### Risque de blessures dues à des fuites de liquide !

Des fuites de liquide sont possibles en cas d'éclatement de tubes ou de défauts d'étanchéité au niveau des points de connexion. Cela peut provoquer des blessures.

- ▶ Respecter les pressions de service maximales (voir les indications sur l'étiquette de l'unité de filtration).
- ▶ En cas d'utilisation d'un set de tubes de purge avancé : s'assurer que les raccords Tri-Clamp sont correctement installés et les resserrer si nécessaire.
- ▶ Utiliser un instrument de mesure pour contrôler la pression.
- ▶ Ne **pas** laisser le processus sans surveillance.

#### Procédure

- ▶ Mettre tous les moteurs de vannes en position [close].
- ▶ Retirer le tube Inlet du sachet en plastique et retirer les serre-câbles.
- ▶ Raccorder le tube Inlet (pour la connexion, voir le mode d'emploi des connecteurs).
- ▶ Retirer le tube Outlet du sachet en plastique et retirer les serre-câbles.
- ▶ Raccorder le tube Outlet (pour la connexion, voir le mode d'emploi des connecteurs).
- ▶ Mettre le moteur de vanne Inlet (1) et celui de la vanne de purge (2) en position [open].
- ▶ Démarrer la procédure de remplissage. Respecter le débit volumique maximal de 5 L/min.
- ▶ L'unité de filtration se remplit.
- ▶ **AVIS** Blocage du filtre à air par contact avec le liquide ou la mousse ! Lorsque le récipient de visualisation commence à se remplir de liquide ou de mousse : arrêter le débit volumique.
- ▶ Faire basculer l'unité de filtration lentement d'avant en arrière à plusieurs reprises au moyen de la fonction de pivotement.
- ▶ Si nécessaire : corriger la hauteur du rail du système avec le support de filtre à air pour éviter de plier le tube de purge.
- ▷ L'air restant s'échappe par le filtre à air.
- ▶ Si le niveau du liquide présent dans le récipient de visualisation baisse fortement :
  - ▶ Procéder au remplissage avec un débit réduit.
  - ▶ Lorsque le récipient de visualisation commence à se remplir de liquide ou de mousse : arrêter le débit volumique.





- ▶ Mettre le moteur de vanne Inlet en position [close].
- ▶ Mettre le moteur de vanne de purge en position [close].
- ▷ L'unité de filtration est remplie et purgée.

## 6.2 Rincer l'unité de filtration

### Conditions requises

L'unité de filtration est remplie et purgée.

---

### ATTENTION

#### Risque de blessures dues à des fuites de liquide !

Des fuites de liquide sont possibles en cas d'éclatement de tubes ou de défauts d'étanchéité au niveau des points de connexion. Cela peut provoquer des blessures.

- ▶ Respecter les pressions de service maximales (voir les indications sur l'unité de filtration).
  - ▶ En cas d'utilisation d'un set de tubes de purge avancé : s'assurer que les raccords Tri-Clamp sont correctement installés et les resserrer si nécessaire.
  - ▶ Utiliser un instrument de mesure pour contrôler la pression.
  - ▶ **Ne pas** laisser le processus sans surveillance.
- 

### Procédure

- ▶ Pour démarrer le rinçage :
  - ▶ Mettre les moteurs des vannes Inlet et Outlet en position [open].
  - ▶ Démarrer le débit volumique.
- ▶ Pour arrêter le rinçage :
  - ▶ Arrêter le débit volumique.
  - ▶ Mettre les moteurs des vannes Inlet et Outlet en position [close].

## 6.3 Effectuer la filtration

### Condition requise

- L'unité de filtration est entièrement purgée.
- En option : un test d'intégrité des filtres est effectué.
- Les tubes Inlet et Outlet sont raccordés.

---

### ATTENTION

#### Risque de blessures dues à des fuites de liquide !

Des fuites de liquide sont possibles en cas d'éclatement de tubes ou de défauts d'étanchéité au niveau des points de connexion. Cela peut provoquer des blessures.

- ▶ Respecter les pressions de service maximales (voir les indications sur l'unité de filtration).
  - ▶ En cas d'utilisation d'un set de tubes de purge avancé : s'assurer que les raccords Tri-Clamp sont correctement installés et les resserrer si nécessaire.
  - ▶ Utiliser un instrument de mesure pour contrôler la pression, par ex. un Sartorius Sensor Transfer Set.
  - ▶ Ne **pas** laisser le processus sans surveillance.
- 

### Procédure

- ▶ Pour démarrer le processus de filtration :
  - ▶ S'assurer que le moteur de vanne de purge est en position [close].
  - ▶ Mettre le moteur de vanne Inlet en position [open].
  - ▶ Mettre le moteur de vanne Outlet en position [open].
  - ▶ Démarrer le débit volumique de filtration.
  - ▶ Le processus de filtration démarre.
- ▶ Pour arrêter le processus de filtration :
  - ▶ Arrêter le débit volumique de filtration.
  - ▶ Mettre les moteurs des vannes Inlet et Outlet en position [close].

## 6.4 Effectuer un test d'intégrité des filtres

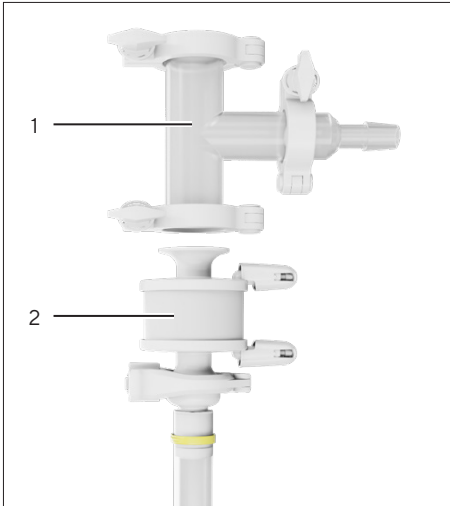
Un test d'intégrité des filtres peut être effectué avant ou après un processus de filtration : les valeurs limites du test d'intégrité des filtres ainsi que les paramètres de test sont indiqués dans la fiche technique Maxicaps MR.

- Matériel :
- Pressure Safety Device
  - Raccord Tri-Clamp ½"
  - Appareil de test d'intégrité des filtres, p. ex. Sar-tocheck® 5
  - Si nécessaire : réservoir de référence externe (volume net > 13 L)

### Condition requise

- L'unité de filtration est adaptée à un test d'intégrité des filtres.
- Le tube Outlet est sans pression.

### Procédure



- ▶ S'assurer que les trois moteurs de vannes sont en position [close].
- ▶ Pousser la rallonge pour rail du système avec le support de filtre à air vers le bas et retirer le filtre à air.
- ▶ Raccorder le filtre à air (2) et le Pressure Safety Device (1) au moyen du raccord Tri-Clamp.
- ▶ Raccorder l'appareil de test d'intégrité des filtres au Pressure Safety Device.
- ▶ Fixer le récipient de visualisation dans le support de filtre à air.
- ▶ Vérifier qu'aucun tube n'est plié.
- ▶ Mettre l'unité de filtration en position de vidage.
- ▶ Mettre le moteur de vanne de purge et le celui de la vanne Outlet en position [open].
- ▶ Définir les paramètres de l'appareil de test d'intégrité des filtres (pour les paramètres, voir chapitre 12.5, page 134).
- ▶ Démarrer le programme de diffusion de l'appareil de test d'intégrité des filtres (voir le mode d'emploi de l'appareil de test d'intégrité des filtres).
- ▷ L'unité de filtration se vide.
- ▶ Une fois que le test d'intégrité des filtres est achevé :
  - ▶ Mettre le moteur de vanne de purge en position [close].
  - ▶ Mettre le moteur de vanne Outlet en position [close].
- ▶ Désinstaller l'appareil de test d'intégrité des filtres du Pressure Safety Device.
- ▶ Désinstaller le Safety Pressure Device du filtre à air et le stocker.

## 6.5 Vider l'unité de filtration

### 6.5.1 Vider l'unité de filtration par gravimétrie

#### Conditions requises

- Le processus de filtration est terminé.
- Le système n'est **pas** sous pression.

#### Procédure

- ▶ Mettre l'unité de filtration en position de vidage.
- ▶ Si nécessaire : corriger la hauteur du rail du système avec le support de filtre à air pour éviter de plier le tube de purge.
- ▶ Mettre le moteur de vanne de purge en position [open].
- ▶ Mettre le moteur de vanne Outlet en position [open].
- ▷ L'unité de filtration se vide.
- ▶ Une fois qu'il n'y a plus de liquide qui s'écoule de l'unité de filtration : mettre les moteurs de la vanne Inlet et de la vanne de purge en position [close].

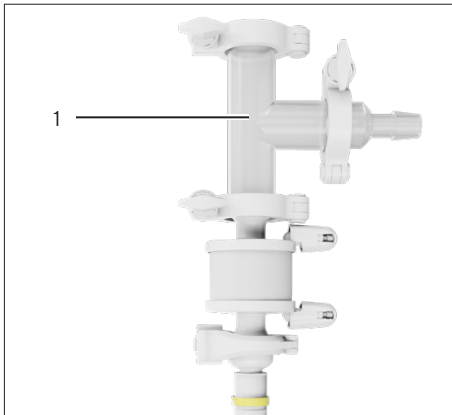
## 6.5.2 Vider l'unité de filtration au moyen d'air comprimé

### Conditions requises

- Le processus de filtration est terminé.
- Le système n'est **pas** sous pression.

### Procédure

- ▶ Pousser la rallonge pour rail du système avec le support de filtre à air vers le bas et retirer le filtre à air.
- ▶ Raccorder le filtre à air et le Pressure Safety Device au moyen du raccord Tri-Clamp.
- ▶ Raccorder l'alimentation en air comprimé au Pressure Safety Device (1).
- ▶ S'assurer que le moteur de vanne Inlet est en position [close].
- ▶ Mettre l'unité de filtration en position de vidage.
- ▶ Mettre le moteur de vanne Outlet en position [open].
- ▶ S'assurer que le tube de purge n'est **pas** plié.
- ▶ Mettre le système sous pression à une pression maximale de 0,5 bar.
- ▶ Surveiller la mise sous pression pendant le processus de vidange final.
- ▷ L'unité de filtration se vide.
- ▶ Une fois qu'il n'y a plus de liquide qui s'écoule de l'unité de filtration :
  - ▶ Fermer l'alimentation en air comprimé.
  - ▶ Mettre le moteur de vanne de purge en position [close].
  - ▶ Mettre le moteur de vanne Outlet en position [close].



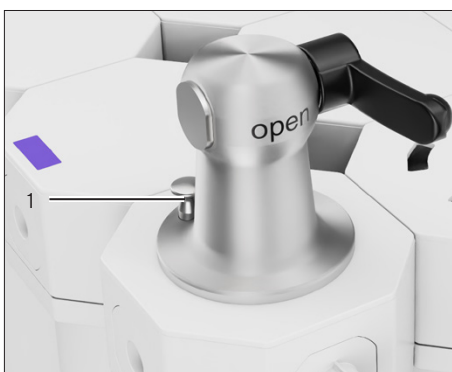
## 6.6 Séparer les raccords et les moteurs de vannes de l'unité de filtration

### Conditions requises

- Le processus de filtration est terminé.
- L'unité de filtration est vidée.
- Le système n'est **pas** sous pression.

### Procédure

- ▶ Placer les 3 moteurs de vannes en position [open].
- ▶ Séparer les tubes Inlet et Outlet, par ex. à l'aide de Clipster® ou de Bio-Sealer®.
- ▶ Desserrer les 3 moteurs de vannes. Pour ce faire, soulever le dispositif de blocage (1), tourner le moteur de vanne dans le sens inverse des aiguilles d'une montre, puis le retirer.
- ▶ Conserver les 3 moteurs de vannes dans le support de vannes du chariot.



## 6.7 Monter l'unité de filtration et les poignées de levage sans Flexsafe® STR Lifting Device

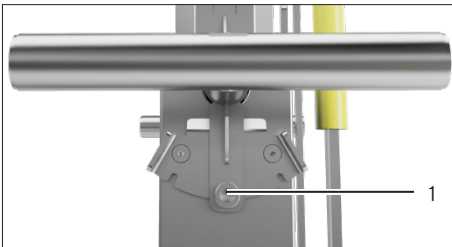
Personnel : 2 personnes, opérateurs

### Conditions requises

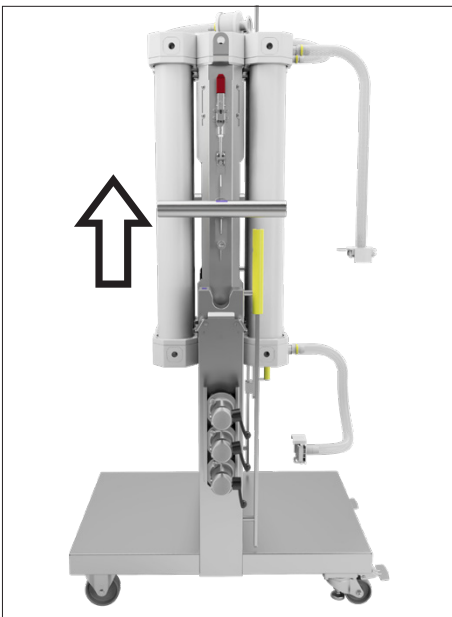
- Le filtre à air n'est **pas** dans le support de filtre à air.
- Les raccords et les moteurs de vannes sont séparés de l'unité de filtration.
- L'unité est en position de filtration.

### Procédure

- ▶ Desserrer le dispositif de blocage (1) pour la fonction de pivotement.



- ▶ À l'aide des deux poignées de levage, retirer l'élément de filtration du support du chariot par le haut et le poser avec précaution.

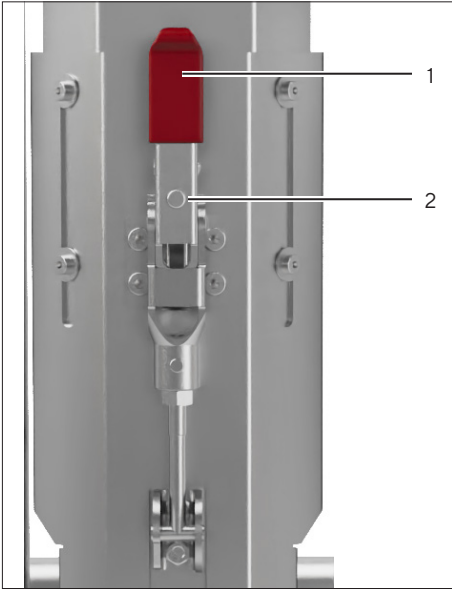


Opérateur 1 :

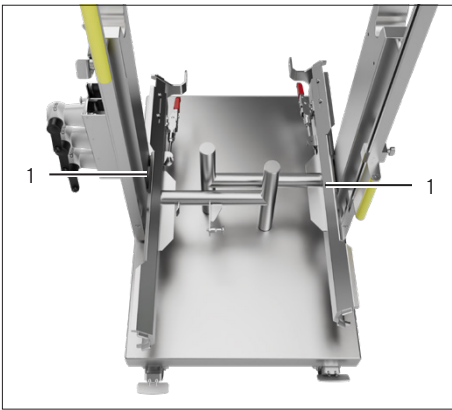
- ▶ Tenir l'unité de filtration.

Opérateur 2 :

- ▶ **⚠ ATTENTION** Risque de se coincer les doigts lors de l'actionnement du levier (1) ! Appuyer sur le dispositif de verrouillage (2) de la poignée et abaisser doucement le levier.
- ▶ Retirer prudemment la poignée de levage par le haut et la poser.
- ▶ Rabattre le levier (1) vers le haut.
- ▷ Le verrouillage de sécurité (2) s'enclenche.
- ▶ Démontez la deuxième poignée de la même manière.
- ▶ Éliminer l'unité de filtration (voir chapitre « 11 Élimination », page 131).



- ▶ Accrocher les deux poignées de levage sur les 2 supports (1) situés à l'intérieur du chariot.



## 6.8 Démontez l'unité de filtration et les poignées de levage avec le Flexsafe® STR Lifting Device

Après le processus de filtration, les unités de filtration peuvent être lourdes. Il est recommandé de procéder au transport de l'unité de filtration au moyen d'un Sartorius Flexsafe® STR Lifting Device.

Personnel : 2 personnes, opérateurs

Matériel : Lifting Gear Maxicaps® MR et Flexsafe® STR Lifting Device

### Conditions requises

- Le filtre à air n'est **pas** dans le support de filtre à air.
- Les raccords et les moteurs de vannes sont séparés de l'unité de filtration.
- L'unité est en position de filtration.
- Le Lifting Gear est installé sur le Flexsafe® STR Lifting Device (voir le mode d'emploi du Flexsafe® STR Lifting Device).

**⚠ AVERTISSEMENT**

Risque de blessures dues à la chute d'éléments du système !

- ▶ Respecter la procédure lors du démontage.

**⚠ AVERTISSEMENT**

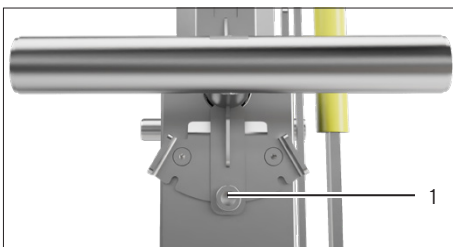
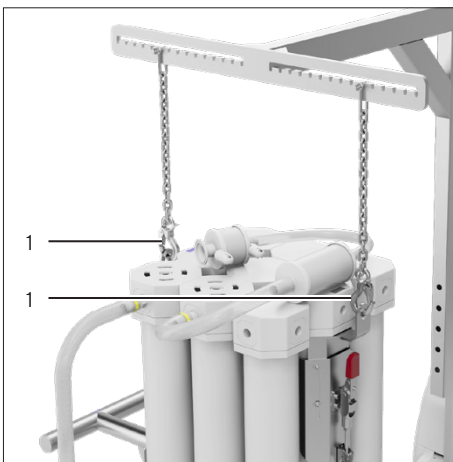
Risque de blessures en cas de basculement du Flexsafe® STR Lifting Device !

Le dispositif Flexsafe® STR Lifting Device peut basculer en cas de dépassement de la capacité de charge maximale. Cela peut provoquer des blessures.

- ▶ Respecter la capacité de charge maximale du Flexsafe® STR Lifting Device (voir le diagramme de la capacité de charge du Flexsafe® STR Lifting Device).
- ▶ Ne soulever l'unité de filtration **que** lorsqu'elle est vide.
- ▶ Ne soulever l'unité de filtration **que** lorsque le dispositif de blocage entre la poignée de levage et le chariot est desserré.

**Procédure**

- ▶ Approcher le Flexsafe® STR Lifting Device de l'arrière du Maxicaps® MR et le positionner de manière à ce que le Lifting Gear soit au maximum centré au-dessus de l'unité de filtration.
- ▶ **⚠ AVERTISSEMENT** Risque de blessures en cas de positionnement incorrect du Lifting Gear ! Accrocher uniquement les 2 crochets du Lifting Gear aux 2 points d'ancrage (œillets) (1) des poignées de levage.
- ▶ Régler le Lifting Gear à la largeur de l'unité de filtration. Pour ce faire, déplacer la chaîne dans une encoche appropriée du Lifting Gear.
- ▶ Recommandation : les chaînes doivent être déplacées dans les encoches de manière à ce que la distance au centre soit la plus uniforme possible.



- ▶ D'une main, desserrer le dispositif de blocage (1) pour la fonction de pivotement.
- ▶ De l'autre, soulever légèrement la poignée de levage de manière à ce que le dispositif de blocage ne se réenclenche pas immédiatement.

- ▶ À l'aide du Flexsafe® STR Lifting Device, soulever suffisamment l'unité de filtration afin qu'elle puisse être positionnée au-dessus du chariot. Ce faisant, veiller à ce que les crochets ne s'accrochent pas.
- ▶ Déposer l'unité de filtration dans un endroit approprié.

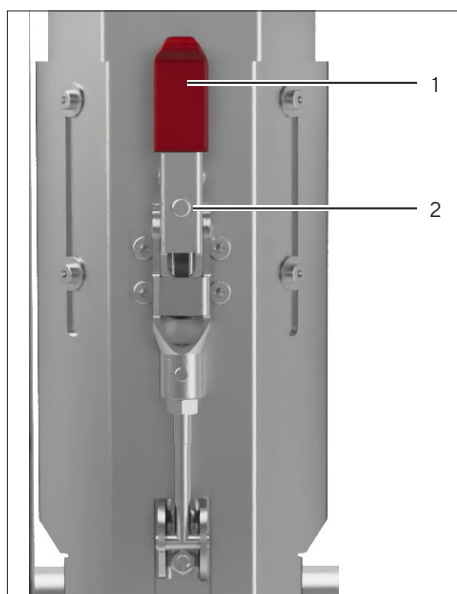
- ▶ Si nécessaire : lors de la dépose, corriger la position de l'unité de filtration afin que celle-ci ne soit pas positionnée sur la potence du Flexsafe® STR Lifting Device.
- ▶ Décrocher les 2 crochets du Lifting Gear des points d'ancrage de l'unité de filtration.

Opérateur 1 :

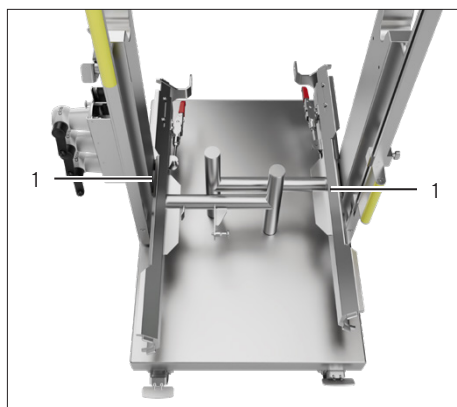
- ▶ Tenir l'unité de filtration.

Opérateur 2 :

- ▶ Appuyer sur le verrouillage de sécurité (2) et rabattre le levier (1) vers le bas.
- ▶ Retirer prudemment la poignée de levage par le haut et la poser.
- ▶ Rabattre le levier (1) vers le haut.
- ▷ Le verrouillage de sécurité (2) s'enclenche.
- ▶ Démontez la deuxième poignée de la même manière.
- ▶ Éliminer l'unité de filtration (voir chapitre « 11 Élimination », page 131).



- ▶ Accrocher les deux poignées de levage sur les 2 supports (1) situés à l'intérieur du chariot.





## 7 Nettoyage

### 7.1 Nettoyer le chariot et les poignées de levage

#### Conditions requises

Le processus de filtration est terminé.

#### Procédure

- ▶ Utiliser uniquement des produits de nettoyage adaptés et respecter les informations sur le produit de nettoyage utilisé (produits de nettoyage, voir chapitre 12.11, page 135).
- ▶ Essuyer le chariot et les poignées de levage avec un chiffon légèrement humide. En cas de saletés plus importantes, utiliser un savon doux ou un produit de nettoyage adapté.

## 8 Erreurs

Erreur	Cause	Remède	Chapitre, page	Groupe cible
Le filtre à air est colmaté.	Du liquide ou de la mousse a pénétré dans le filtre à air.	Éliminer l'unité de filtration.	11.1, 131	Opérateur
<b>Aucune</b> pression ne s'accumule lors du test d'intégrité des filtres.	Le disque de rupture du Pressure Safety Device est défectueux.	<ul style="list-style-type: none"> <li>– Éliminer le Pressure Safety Device défectueux.</li> <li>– Utiliser un Pressure Safety Device neuf.</li> </ul>		Opérateur
Le test d'intégrité des filtres a <b>échoué</b> .	Mouillage insuffisant de l'unité de filtration.	<ul style="list-style-type: none"> <li>– Rincer à nouveau l'unité de filtration.</li> <li>– Renouveler le test d'intégrité des filtres.</li> </ul>	6.2, 121 et 6.4, 122	Opérateur
La pression d'entrée est supérieure à la pression de service autorisée.	Le moteur de vanne Inlet et   ou Outlet est fermé.	Ouvrir le moteur de vanne Inlet et   ou Outlet.		Opérateur
	Le filtre à air est colmaté.	Éliminer l'unité de filtration.		
	L'unité de filtration est bloquée	Éliminer l'unité de filtration.		

## 9 Transport

### Conditions requises

- Le processus de filtration est terminé.
- L'unité de filtration et les poignées de levage sont démontées.

---

### ⚠ ATTENTION

#### Risque d'écrasement lors du maniement du frein !

- ▶ Actionner le frein d'arrêt uniquement avec le pied.
- ▶ Porter l'équipement de protection individuelle.

---

### ⚠ ATTENTION

#### Risque d'écrasement lors du déplacement du système à la main et risque qu'il roule sur des parties du corps !

- ▶ Ne **pas** placer le système sur une surface en pente.
  - ▶ Porter l'équipement de protection individuelle.
- 

### Procédure

- ▶ Faire glisser la rallonge pour rail du système ainsi que le support de filtre à air dans la position la plus basse.
- ▶ Débloquer le frein des roues de transport. Pour cela, relever le levier de blocage (1) avec le pied.
- ▶ Déplacer le chariot à l'endroit souhaité à l'aide des poignées.



# 10 Stockage et expédition

## 10.1 Stocker le chariot et les poignées de levage

### Procédure

- ▶ Nettoyer le chariot et les poignées de levage.
- ▶ Conserver le système en respectant les conditions ambiantes prescrites (voir chapitre 12.4, page 134).

## 10.2 Renvoyer le système et les composants

Les pièces défectueuses peuvent être renvoyées à la société Sartorius. Les pièces renvoyées doivent être propres, décontaminées et correctement emballées.

Les éventuels dommages dus au transport ainsi que les mesures de nettoyage et de désinfection des pièces effectuées ultérieurement par Sartorius sont à la charge de l'expéditeur.

Les pièces contaminées par des matières dangereuses, p. ex. des matières biologiques ou chimiques dangereuses pour la santé, ne sont **pas** reprises pour être réparées ou éliminées.

### Procédure

- ▶ Contacter le Sartorius Service pour obtenir des informations sur le renvoi (voir [www.sartorius.com](http://www.sartorius.com)).
- ▶ Emballer correctement les pièces avant de les expédier.

# 11 Élimination

## 11.1 Éliminer le système et les composants

Le système et ses accessoires doivent être éliminés de manière appropriée par des entreprises spécialisées.

### Conditions requises

Le système est décontaminé.

### Procédure

- ▶ Éliminer les composants du système conformément aux réglementations en vigueur dans le pays.
- ▶ Éliminer l'emballage conformément aux réglementations en vigueur dans le pays.

## 12 Caractéristiques techniques

### 12.1 Poids

#### 12.1.1 Poids de l'unité de filtration

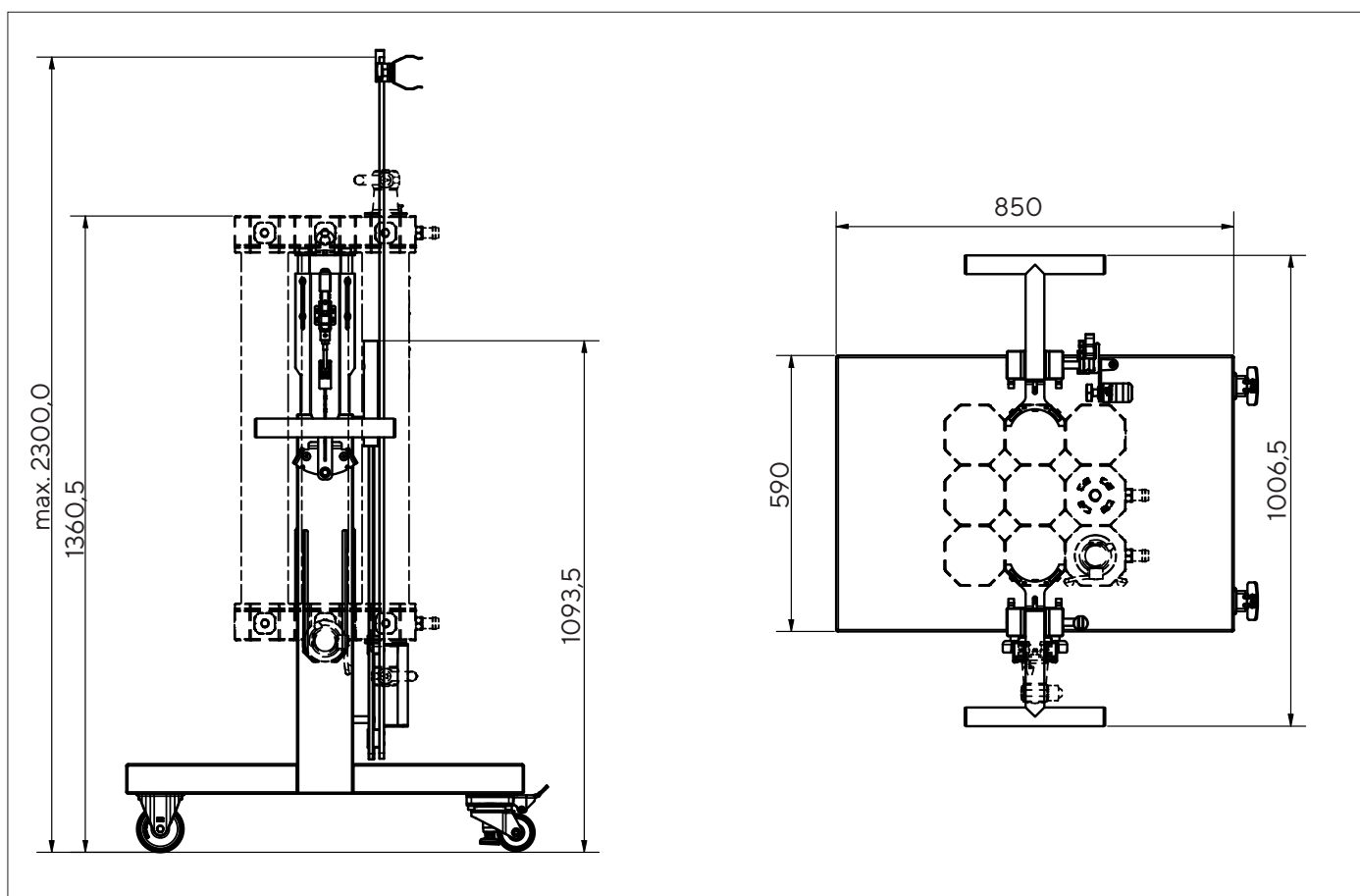
Maxicaps® MR	Valeur	Poids total à sec, hors emballage*	Poids total à sec, emballage compris*	Poids total rempli*	Poids total vidé (après test IT à 2,5 bar)*
MR2	kg	7	9	14	8
MR3	kg	10	13	21	11
MR4	kg	12	15	27	14
MR5	kg	15	18	33	17
MR6	kg	18	21	41	21
MR7	kg	20	24	46	23
MR8	kg	23	27	52	27
MR9	kg	26	29	60	30

\* Les valeurs sont données à titre indicatif. Les valeurs réelles dépendent de plusieurs facteurs (par ex. charge de filtration, configuration du tube, niveau de remplissage lors de la purge) et elles peuvent différer de celles indiquées ici. Les valeurs ont été déterminées à l'aide d'un Sartopore® 2 ; 0,2 µm, (TuFlux® TPE d'1,5 m + connecteur TC à l'entrée et à la sortie)

#### 12.1.2 Poids des composants multi-usages

	Unité	Valeur
Chariot	kg	64
Poignée de levage (par côté)	kg	4
Moteur de vanne	kg	2
Lifting Gear + bras	kg	11

## 12.2 Dimensions du système Maxicaps® MR complet



Ill.10: Dimensions du système complet en mm

## 12.3 Volume total de l'unité de filtration

Maxicaps® MR	Valeur	Volume total (Upstream Volume)
MR2	L	7
MR3	L	10
MR4	L	13
MR5	L	15
MR6	L	18
MR7	L	21
MR8	L	24
MR9	L	26

\* Les valeurs sont fournies à titre indicatif. Les valeurs réelles peuvent différer de celles indiquées ici. Les valeurs ont été déterminées à l'aide d'un Sartopore® 2 ; 0,2 µm, (TuFlux® TPE d'1,5 m + connecteur TC à l'entrée | à la sortie)

## 12.4 Conditions ambiantes et de stockage

	Unité	Valeur
Température		
Fonctionnement, stockage et transport	°C	+5 - +40
Pendant le test d'intégrité des filtres	Température ambiante constante	
Humidité relative de l'air (fonctionnement, stockage et transport)	%	< 85

## 12.5 Paramètres du test d'intégrité des filtres

	Unité	Valeur
Gaz autorisés		Air comprimé, azote
Pression maximale*	bar	2,5

\* Pour les paramètres de test propres aux filtres, voir la fiche technique

## 12.6 Paramètres pour la vidange de l'unité de filtration au moyen d'air comprimé

	Unité	Valeur
Pression maximale	bar	0,5

## 12.7 Durée de fonctionnement maximale par unité de filtration

	Unité	Valeur
Heure	h	48
Cycles de pression (1 cycle de pression = $\Delta p > 20\%$ )		500

## 12.8 Durée de vie du chariot, moteur de vanne et des poignées de levage

	Unité	Valeur
Durée de vie	a	8

## 12.9 Unités de filtration autorisées

Unité de filtration Maxicaps MR® de type FMRxxxxx\*

\* selon la configuration

## 12.10 Matériaux des composants multi-usages

	Matériel
Chariot	Acier inoxydable
Poignées de levage	Acier inoxydable

## 12.11 Produits de nettoyage et procédures de nettoyage

### Produits de nettoyage

**Pas** de composants caustiques ou récurants

**Pas** de composants contenant du chlore ou du chlorure

**Pas** de solvants

### Procédures de nettoyage

**Pas** de nettoyeur à haute pression ou de nettoyeur vapeur

**Pas** de procédé par pulvérisation pour le nettoyage ou la désinfection

## 13 Accessoires

Le tableau ci-dessous contient un extrait des accessoires qui peuvent être commandés. Pour obtenir plus d'informations sur d'autres articles, contacter Sartorius.

Article	Quantité	Référence
Pressure Safety Device	1	26787---PS
Flexsafe® STR 500 - 1000 Lifting Device (fabricant : Tawi)	1	DZ-----LT2
Flexsafe® STR 2000 Lifting Device (fabricant : Tawi)	1	DZ-----LT1

## 14 Sartorius Service

En cas de questions concernant le système, contacter le Sartorius Service. Les adresses des centres de service après-vente ainsi que des informations sur les prestations du service après-vente et les différents contacts locaux sont disponibles sur le site Internet de Sartorius ([www.sartorius.com](http://www.sartorius.com)).

En cas de questions sur le système et pour contacter le Sartorius Service en cas de dysfonctionnement, indiquer les informations sur le système, p. ex. le numéro de série. Ces informations sont indiquées sur la plaque signalétique.

## 15 Documents de conformité

Par les documents ci-joints, la société Sartorius atteste que l'appareil est conforme aux directives et normes mentionnées.



# Contenido

<b>1</b>	<b>Acerca de estas instrucciones</b>	<b>139</b>
1.1	Validez	139
1.2	Documentos vigentes	139
1.3	Grupos de destinatarios	139
1.4	Símbolos	140
1.4.1	Indicaciones de advertencia en las descripciones de actuación	140
1.4.2	Otros símbolos	140
<b>2</b>	<b>Indicaciones de seguridad</b>	<b>141</b>
2.1	Uso previsto	141
2.1.1	Modificaciones en el sistema	141
2.1.2	Cualificación del personal	142
2.2	Dispositivos de seguridad	142
2.3	Información de seguridad en el sistema	142
2.4	Accesorios	142
2.5	Equipo de protección individual	143
2.6	Daños en la unidad de filtración	143
2.7	Peso elevado	143
2.8	Elevador	143
2.9	Medios sometidos a presión	144
2.10	Deslizamiento del sistema	144
2.11	Vuelco del sistema	144
<b>3</b>	<b>Descripción del sistema</b>	<b>145</b>
3.1	Vista general del sistema	145
3.2	Carro con mangos de elevación	146
3.3	Unidad de filtración	147
3.4	Etiqueta de la unidad de filtración	148
3.5	Función de giro	149
3.6	Accionamientos de válvula	150
3.7	Dispositivos de seguridad	151
3.8	Símbolos en el sistema	152
<b>4</b>	<b>Instalación</b>	<b>153</b>
4.1	Elegir el lugar de instalación	153
4.2	Desembalar	153
4.2.1	Desembalar el carro y los mangos de elevación	153
4.2.2	Desembalar la unidad de filtración Maxicaps® MR	153
4.3	Colocar y asegurar el carro en el lugar de instalación	154
4.4	Montar la prolongación del carril del sistema	155
4.5	Ajuste del soporte del filtro de aire	155
<b>5</b>	<b>Preparación del proceso</b>	<b>156</b>
5.1	Montar el Maxicaps® MR	156
5.1.1	Montar los mangos de elevación en la unidad de filtración	156
5.1.2	Montar la unidad de filtración en el carro sin Flexsafe® STR Lifting Device	158
5.1.3	Instalar el Lifting Gear en el Flexsafe® STR Lifting Device	159
5.1.4	Montar la unidad de filtración en el carro con Flexsafe® STR Lifting Device	160

5.2	Montar los accionamientos de válvula .....	162
5.3	Montar el filtro de aire .....	164
<b>6</b>	<b>Manejo .....</b>	<b>165</b>
6.1	Llenar y purgar la unidad de filtración .....	165
6.2	Lavar la unidad de filtración .....	166
6.3	Realizar la filtración .....	167
6.4	Realizar la prueba de integridad del filtro .....	167
6.5	Vaciar la unidad de filtración .....	168
6.5.1	Vaciar la unidad de filtración de forma gravimétrica .....	168
6.5.2	Vaciar la unidad de filtración con aire comprimido .....	169
6.6	Desconectar las conexiones y los accionamientos de válvula de la unidad de filtración .....	169
6.7	Montar la unidad de filtración y los mangos de elevación sin Flexsafe® STR Lifting Device .....	170
6.8	Desmontar la unidad de filtración y los mangos de elevación con Flexsafe® STR Lifting Device .....	171
<b>7</b>	<b>Limpieza .....</b>	<b>174</b>
7.1	Limpiar el carro y los mangos de elevación .....	174
<b>8</b>	<b>Averías .....</b>	<b>174</b>
<b>9</b>	<b>Transporte .....</b>	<b>175</b>
<b>10</b>	<b>Almacenamiento y envío .....</b>	<b>176</b>
10.1	Almacenar el carro y los mangos de elevación .....	176
10.2	Devolver el sistema y las piezas .....	176
<b>11</b>	<b>Eliminación .....</b>	<b>176</b>
11.1	Eliminar el sistema y las piezas .....	176
<b>12</b>	<b>Datos técnicos .....</b>	<b>177</b>
12.1	Pesos .....	177
12.1.1	Pesos de la unidad de filtración .....	177
12.1.2	Pesos de los componentes multi-use .....	177
12.2	Medidas del sistema completo Maxicaps® MR .....	178
12.3	Volumen total de la unidad de filtración .....	178
12.4	Condiciones del entorno y de almacenamiento .....	179
12.5	Parámetros de la prueba de integridad del filtro .....	179
12.6	Parámetros para el vaciado de la unidad de filtración con aire comprimido .....	179
12.7	Periodo de servicio máximo por unidad de filtración .....	179
12.8	Vida útil del carro, accionamiento de válvula y de los mangos de elevación .....	179
12.9	Unidades de filtración homologadas .....	180
12.10	Materiales de los componentes multi-use .....	180
12.11	Productos y métodos de limpieza .....	180
<b>13</b>	<b>Accesorios .....</b>	<b>181</b>
<b>14</b>	<b>Sartorius Service .....</b>	<b>181</b>
<b>15</b>	<b>Documentos de conformidad .....</b>	<b>181</b>

# 1 Acerca de estas instrucciones

## 1.1 Validez

Estas instrucciones forman parte del sistema, deben leerse por completo y guardarse. Estas instrucciones son válidas para las siguientes versiones del sistema:

Sistema y accesorios	Número de material
Carro	FIA500010
Mangos de elevación	FIA500011
Lifting Gear	FIA500012
Accionamiento de válvula	FIA500013
Pressure Safety Device	26787---PS
Unidad de filtración Maxicaps® MR, single-use	FMR5xxxxx*

\* en función de la configuración

## 1.2 Documentos vigentes

- ▶ De manera complementaria a estas instrucciones, observe la siguiente documentación:
  - Instrucciones para el aparato de prueba de integridad del filtro, por ejemplo, Sartocheck® 5
  - Instrucciones para los aparatos elevadores TAWI (Flexsafe® STR Lifting Device)
  - Instrucciones de los conectores
  - Hoja de datos de Maxicaps® MR

## 1.3 Grupos de destinatarios

Las instrucciones están dirigidas a los siguientes grupos de destinatarios. Los grupos de destinatarios deben tener los conocimientos mencionados.

Grupo de destinatarios	Conocimientos y cualificaciones
Operador	El operador está familiarizado con el sistema y los procesos de trabajo asociados. El operador conoce los peligros que pueden surgir al trabajar con el sistema y puede evitar estos peligros.

## 1.4 Símbolos

### 1.4.1 Indicaciones de advertencia en las descripciones de actuación

---

#### **ADVERTENCIA**

Indica un peligro que, si **no** se evita, puede provocar lesiones graves o la muerte.

---

#### **ATENCIÓN**

Indica un peligro que, si **no** se evita, puede provocar lesiones leves o moderadas.

---

#### **AVISO**

Indica un peligro que, si **no** se evita, puede provocar daños materiales.

---

### 1.4.2 Otros símbolos

- ▶ Instrucciones de actuación: describe las tareas que se deben llevar a cabo. Las tareas en las secuencias de actuación se deben ejecutar de forma sucesiva.
- ▷ Resultado: describe el resultado de las tareas ejecutadas.

#### **Figuras en estas instrucciones**

En función de la configuración del sistema, las figuras del sistema pueden diferir ligeramente del sistema suministrado. Las variantes mostradas en estas instrucciones son ejemplos.

## 2 Indicaciones de seguridad

### 2.1 Uso previsto

Maxicaps® MR es un sistema para la filtración de líquidos de base acuosa y para la realización de pruebas de integridad del filtro. El sistema consta de los componentes multi-use: carro, mangos de elevación y accionamientos de válvula, y de una unidad de filtración single-use. La unidad de filtración single-use debe ser adecuada para el sistema (unidades de filtración autorizadas, véase el Capítulo 12.9, página 180):

Los siguientes procesos **no** deben llevarse a cabo con el sistema:

- Procesos de filtración con agentes biológicos de las clases de seguridad 3 o 4 (según la UE 2000/54/CE)
- Procesos de filtración con sustancias peligrosas según el Reglamento alemán de protección ante sustancias peligrosas (GefStoffV)

El sistema únicamente está destinado para el uso conforme a estas instrucciones. Cualquier otro uso se considera un **uso no previsto**.

#### Usos erróneos previsibles

Los siguientes usos **no** están permitidos:

- Uso en otros procesos que no estén autorizados de forma explícita
- Uso como peldaño
- Uso de la unidad de filtración single-use como superficie de apoyo
- Uso del carro como carro de transporte
- Uso del sistema para la filtración de gases (excepción: prueba de integridad del filtro)

#### Condiciones de uso del sistema

**No** utilice el sistema en entornos con peligro de explosión. Utilice el sistema solo en edificios.

Utilice el sistema solo con los equipos y en las condiciones de funcionamiento que se describen en los datos técnicos de las presentes instrucciones.

#### 2.1.1 Modificaciones en el sistema

Cuando se modifica el sistema: se puede poner en peligro a las personas. Los documentos y homologaciones de producto específicos del sistema pueden perder su validez.

En caso de dudas sobre las modificaciones en el sistema, póngase en contacto con Sartorius.

## 2.1.2 Cualificación del personal

Las personas sin conocimientos suficientes para el manejo seguro del sistema pueden sufrir lesiones o provocarlas a otras personas.

Si se requiere una cualificación determinada para una tarea: se indica el grupo de destinatarios. Si **no** se indica ninguna cualificación: el grupo de destinatarios "Operador" puede realizar la tarea.

## 2.2 Dispositivos de seguridad

Los dispositivos de seguridad del sistema protegen a las personas que trabajan en el sistema frente a peligros derivados del sistema, por ejemplo, la sobrepresión. Si se desmontan o modifican los dispositivos de seguridad del sistema: se pueden producir lesiones graves a las personas.

- ▶ **No** desmonte, modifique ni desactive los dispositivos de seguridad (dispositivos de seguridad, véase el Kapitel 3.7, Seite Capítulo 3.7, página 151).

## 2.3 Información de seguridad en el sistema

Los símbolos como, por ejemplo, las indicaciones de advertencia y las etiquetas adhesivas de seguridad son información de seguridad para el manejo del sistema. La ausencia o la ilegibilidad de la información de seguridad puede dar lugar a que **no** se tenga en cuenta. De tal manera que las personas pueden resultar lesionadas.

- ▶ **No** oculte, retire ni modifique los símbolos.
- ▶ Sustituya los símbolos cuando sean ilegibles.

## 2.4 Accesorios

El uso de accesorios no adecuados puede afectar al funcionamiento y la seguridad y tener las siguientes consecuencias:

- Peligros para las personas
  - Daños, fallos de funcionamiento o fallo del sistema
- ▶ Utilice únicamente accesorios autorizados Capítulo 9, página 175 por Sartorius y que sean seguros para su uso.

## 2.5 Equipo de protección individual

El equipo de protección individual protege contra los peligros derivados del sistema Maxicaps® MR y de la unidad de filtración. Si no dispone de un equipo de protección individual o este es inadecuado para los procesos de trabajo en el sistema: pueden producirse lesiones personales.

Se debe usar el siguiente equipo de protección individual:

- Ropa de protección laboral
- Guantes protectores
- Gafas protectoras
- Calzado de seguridad

## 2.6 Daños en la unidad de filtración

Las unidades de filtración pueden sufrir daños por impactos, por ejemplo, en caso de caídas o impactos. Las unidades de filtración dañadas pueden producir lesiones personales.

- ▶ No utilizar más las unidades de filtración **no** tras un impacto y elimínelas.

## 2.7 Peso elevado

La unidad de filtración tiene un peso propio elevado. Al levantar y transportar las unidades de filtración existe peligro de lesiones, por ejemplo, si se cae la unidad de filtración.

- ▶ Solicite la ayuda de una persona para su elevación y transporte.
- ▶ Sartorius recomienda el uso de un dispositivo de elevación adecuado para la elevación y el transporte de la unidad de filtración, por ejemplo, Lifting Gear Maxicaps® MR.

## 2.8 Elevador

Cuando se utilice un elevador para el transporte de la unidad de filtración: las personas pueden sufrir lesiones graves si el elevador se utiliza de forma incorrecta, por ejemplo, si se cae la unidad de filtración.

- ▶ Utilice el equipo de protección individual adecuado.
- ▶ Fije el elevador en las posiciones adecuadas (véase el Capítulo “9 Transporte”, página 175).

## 2.9 Medios sometidos a presión

Si el sistema se somete a una presión demasiado alta, las personas pueden sufrir lesiones por el desprendimiento de mangueras, conexiones u otros componentes del sistema.

- ▶ Utilice el equipo de protección individual adecuado.
- ▶ **No** supere la presión de servicio máxima (presión de servicio, véase la etiqueta de la unidad de filtración).
- ▶ Utilice una supervisión de la presión.
- ▶ **No** realice procesos de transferencia de líquidos sin supervisión.

## 2.10 Deslizamiento del sistema

Si el carro se desplaza de forma no intencionada: el carro puede ocasionar lesiones personales.

- ▶ Coloque el sistema únicamente sobre superficies planas.
- ▶ Accione los 2 frenos de estacionamiento de las ruedas de transporte.

## 2.11 Vuelco del sistema

Debido a su elevado peso, las personas pueden sufrir lesiones graves si el sistema vuelca.

- ▶ Si la unidad de filtración está llena o durante el proceso de filtración: **no** mueva el carro.



## 3 Descripción del sistema

### 3.1 Vista general del sistema

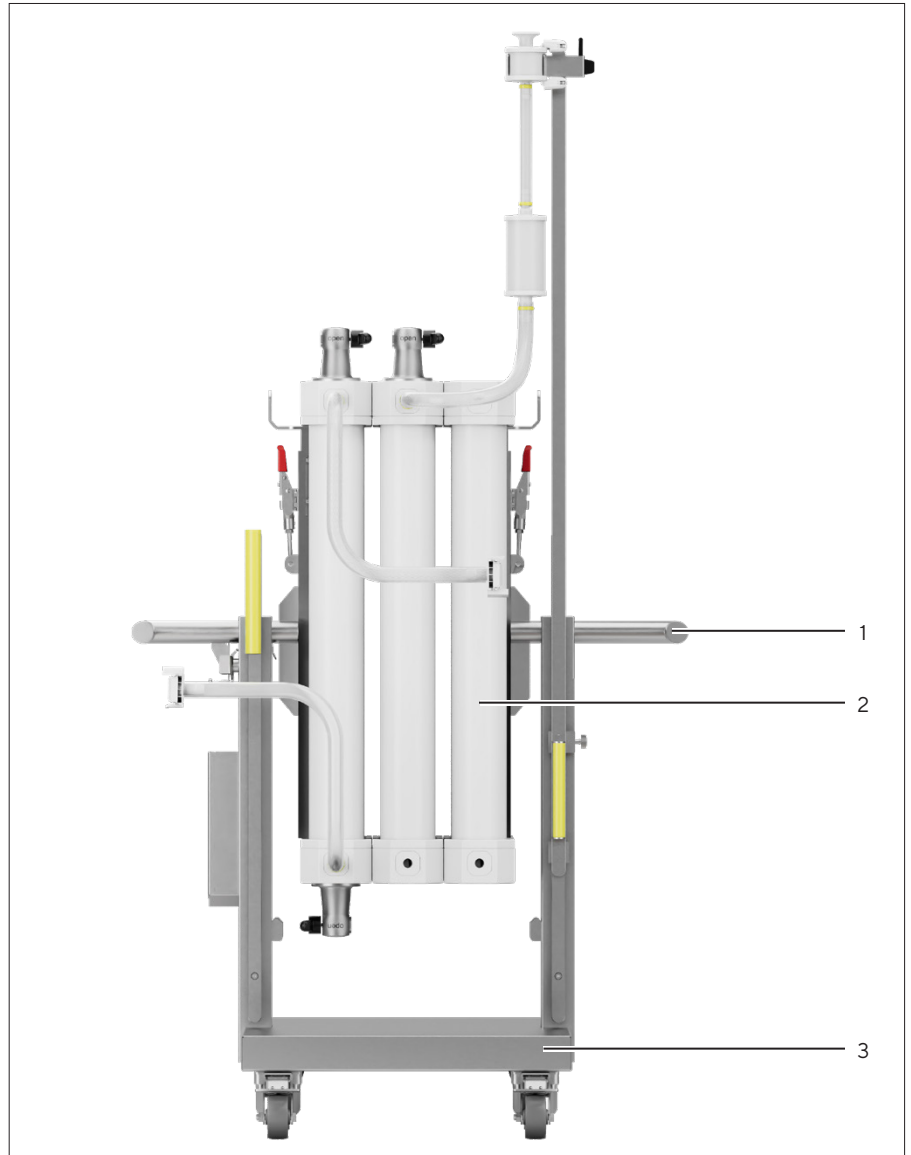


Fig. 1: Sistema Maxicaps® MR

Pos.	Nombre	Descripción
1	Mango de elevación	Se fija a la unidad de filtración.
2	Unidad de filtración	
3	Carro	

### 3.2 Carro con mangos de elevación

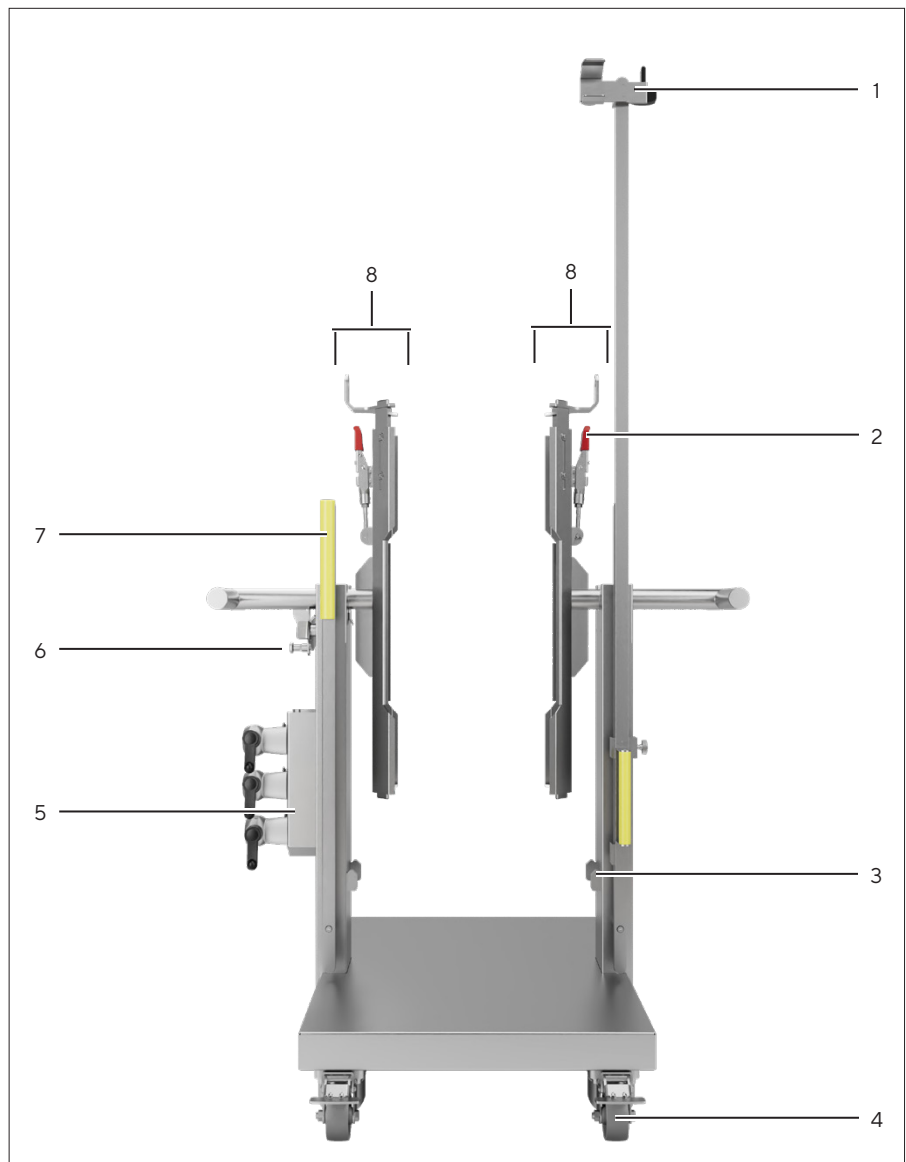


Fig. 2: Carro con mangos de elevación enganchados

Pos.	Nombre
1	Soporte del filtro de aire
2	Bloqueo de unidad de filtración
3	Soporte de mangos de elevación
4	Rueda de transporte
5	Soporte para accionamientos de válvula
6	Bloqueo de función de giro
7	Mango de carro
8	Mango de elevación

### 3.3 Unidad de filtración

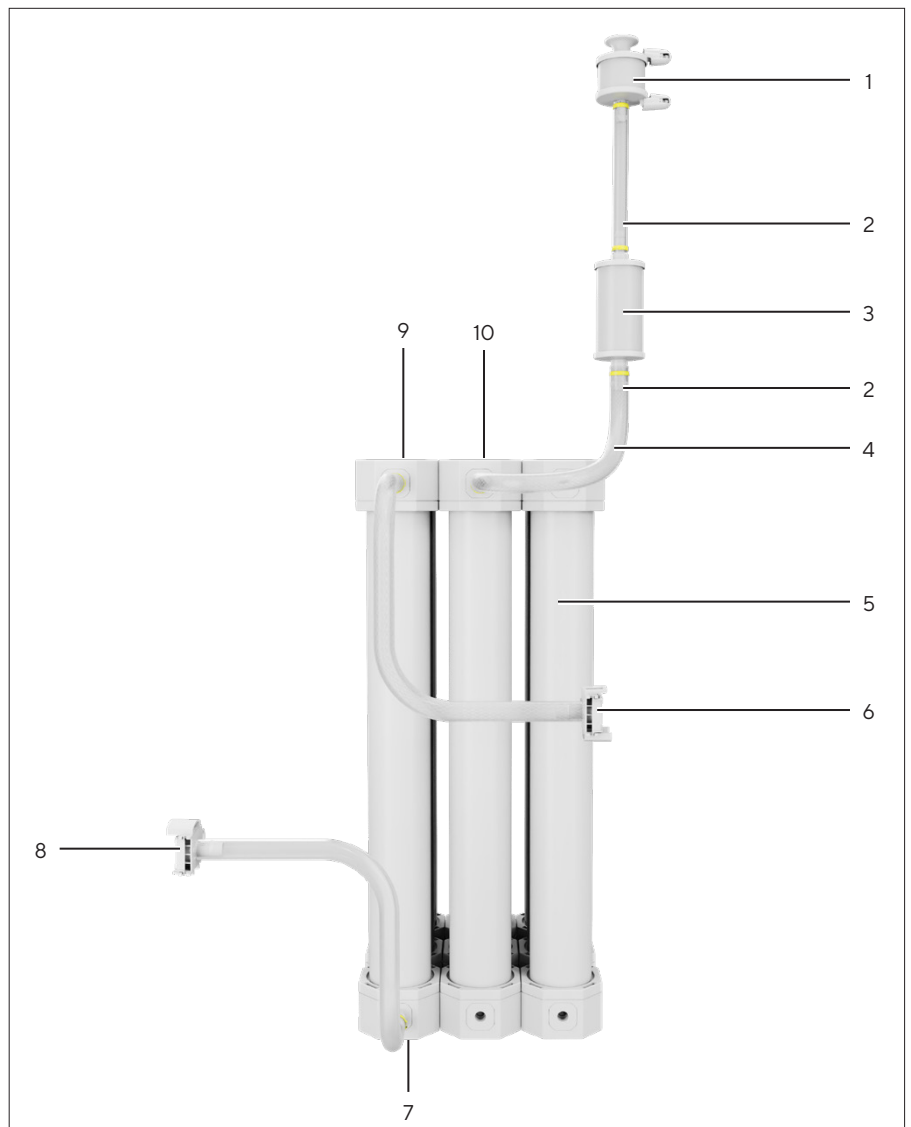


Fig.3: 9.ª unidad de filtración (ejemplo)

Pos.	Nombre
1	Filtro de aire (Sartopore® Air)
2	Mirilla (solo en la variante Advanced del juego de mangueras de purga)
3	Recipiente de visualización
4	Juego de mangueras de purga
5	Unidad de filtración
6	Manguera de inlet con conector (In)
7	Válvula de outlet
8	Manguera de outlet con conector (Out)
9	Válvula de inlet
10	Válvula de purga

### 3.4 Etiqueta de la unidad de filtración

La etiqueta de la unidad de filtración define las presiones de servicio máximas para la inlet y la outlet de la unidad de filtración y para la prueba de integridad del filtro. Los datos sobre las presiones de servicio máximas dependen de la configuración de la unidad de filtración.

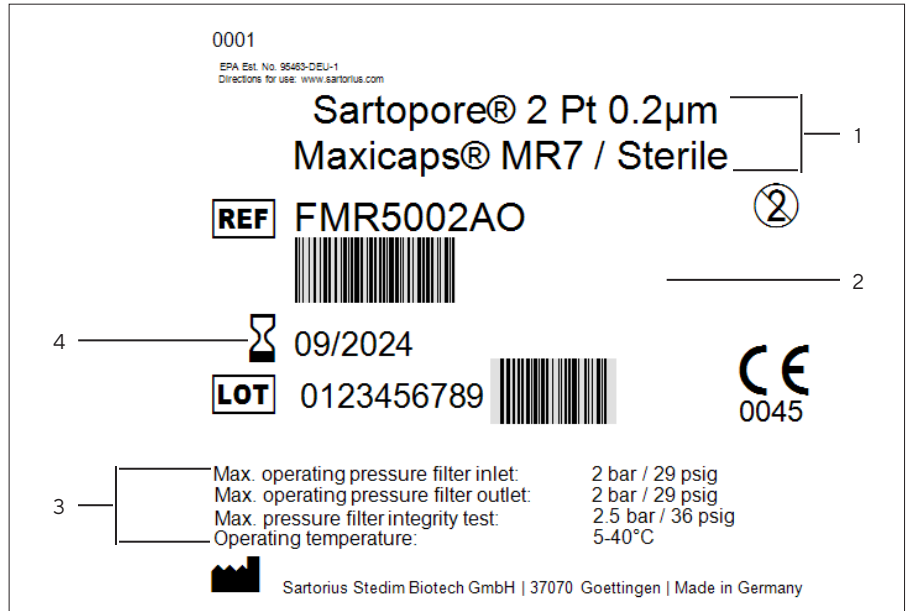


Fig. 4: Ejemplo de etiqueta de la unidad de filtración

Pos.	Nombre
1	Información del producto
2	Indicador estéril (solo en la variante estéril)
3	Parámetros de servicio
4	Fecha de durabilidad

### 3.5 Función de giro

Con ayuda de la función de giro, la unidad de filtración puede colocarse en posición inclinada. La función de giro también se puede usar para la purga y el vaciado de la unidad de filtración.

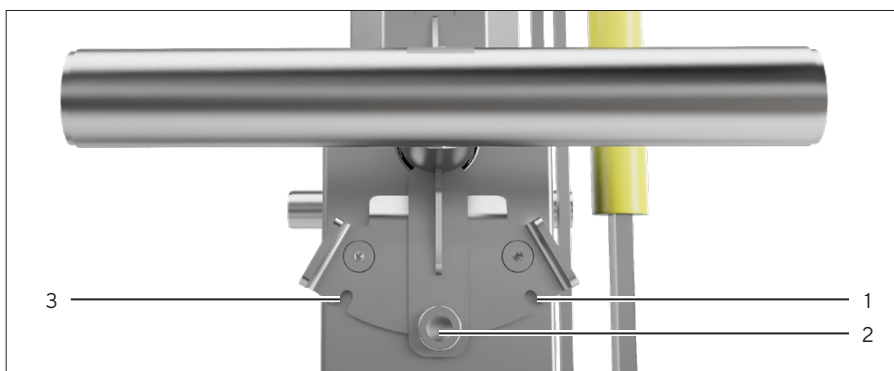


Fig. 5: Ajustes de la función de giro

Pos.	Nombre	Descripción
1	Posición de purga	La unidad de filtración está girada aprox. 30° hacia la izquierda.
2	Posición de filtración	La unidad de filtración se alinea verticalmente.
3	Posición de vaciado	La unidad de filtración está girada aprox. 30° hacia la derecha.

### 3.6 Accionamientos de válvula

Los 3 accionamientos de válvula sirven para abrir y cerrar las válvulas de la unidad de filtración. Los accionamientos de válvula se deben montar sobre la unidad de filtración.

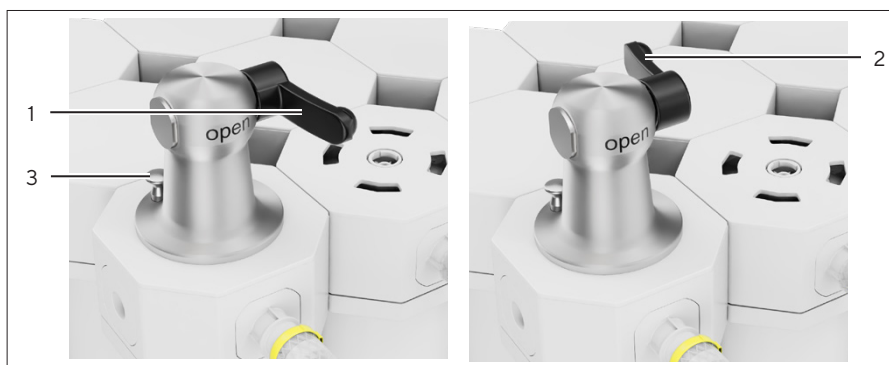


Fig. 6: Accionamientos de válvula

Pos.	Nombre	Descripción
1	Accionamiento de válvula [open]	La palanca del accionamiento de válvula señala hacia la dirección [open]. La válvula de la unidad de filtración está abierta.
2	Accionamiento de válvula [close]	La palanca del accionamiento de válvula señala hacia la dirección [close]. La válvula de la unidad de filtración está cerrada.
3	Bloqueo de accionamiento de válvula	Sirve para fijar el accionamiento de válvula.

### 3.7 Dispositivos de seguridad


El Pressure Safety Device (dispositivo limitador de presión con disco de ruptura) protege el sistema durante una prueba de integridad del filtro y durante el proceso de vaciado con aire comprimido contra daños debidos a una sobrepresión de  $> 2,5 \text{ bar} + \text{tolerancia de seguridad de } 0,5 \text{ bar}$ . El Pressure Safety Device se monta entre el filtro de aire y el aparato de prueba de integridad del filtro o la conexión de aire comprimido.



Fig. 7: Pressure Safety Device

Pos.	Nombre
1	Conexión para, por ejemplo, el aparato de prueba de integridad del filtro o el filtro de aire
2	Disco de ruptura (montado en el interior)

### 3.8 Símbolos en el sistema

Símbolo	Significado
<p style="text-align: center;"><b>SARTORIUS</b></p> <p><b>Attention!</b></p> <p>Check that sanitary clamps are fitted securely. If necessary, retighten clamps.</p> <p>Do not operate without installing valve drives.</p> <p>Do not exceed max. operating pressure or temperature.</p> <p>Use pressurized gas only with an installed pressure safety device.</p>	<p>Nota</p> <p>Compruebe el asiento fijo de las pinzas higiénicas (solo en el juego de mangueras de purga Advanced) y volver a tensarlas en caso necesario.</p> <p><b>No</b> utilice el sistema si no están instalados los accionamientos de válvula.</p> <p><b>No</b> permita que se superen la presión de servicio y la temperatura máximas.</p> <p>Utilice aire comprimido solo si está instalado el Pressure Safety Device.</p>
	<p>Lesiones en las manos: peligro de aplastamiento al plegar la palanca del mango de elevación</p>



## 4 Instalación

### 4.1 Elegir el lugar de instalación

#### Procedimiento

- ▶ Asegúrese de que se han cumplido las condiciones de instalación:

Condición	Características
Condiciones del entorno	Idoneidad comprobada (véase el Capítulo 12.4, página 179)
Superficie	<ul style="list-style-type: none"> <li>– Estable y nivelada</li> <li>– Exenta de vibraciones</li> <li>– Tamaño suficiente para el sistema (espacio necesario para el aparato, véase el Capítulo 12.2, página 178)</li> <li>– Capacidad de carga suficiente para el sistema, también cuando está lleno (véase el Capítulo 12.1, página 177)</li> </ul>

### 4.2 Desembalar

#### 4.2.1 Desembalar el carro y los mangos de elevación

##### Requisitos

Los 2 frenos de estacionamiento de las ruedas de transporte están activados.

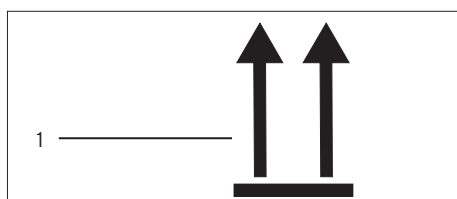
##### Procedimiento

- ▶ Retire el embalaje de transporte.
- ▶ Elimine el embalaje de transporte de conformidad con las disposiciones jurídicas del país.

#### 4.2.2 Desembalar la unidad de filtración Maxicaps® MR

Personal: 2 personas, operadores

##### Procedimiento



- ▶ Coloque la caja de cartón de forma que la flecha (1) sobre la caja de cartón señale hacia arriba.
- ▶ Abra la caja de cartón desde arriba.
- ▶ Retire el cartón de protección contra cortes.

Operadores 1 y 2:

- ▶ **AVISO** ¡Daños den la unidad de filtración por un manejo incorrecto!
  - ▶ **No** eleve la unidad de filtración por las mangueras o las bolsas de plástico.
  - ▶ Sujete la unidad de filtración solo por la carcasa del filtro y extráigala de la caja de cartón.
- ▶ Deposite la unidad de filtración.
- ▶ Abra y retire la bolsa secundaria.
- ▶ Abra y retire la bolsa primaria.
- ▶ Elimine el embalaje de conformidad con las disposiciones jurídicas del país.

### 4.3 Colocar y asegurar el carro en el lugar de instalación

#### **⚠ ATENCIÓN**

¡Peligro de aplastamiento al manejar el freno de estacionamiento!

- ▶ Maneje el freno de estacionamiento únicamente con el pie.
- ▶ Utilice el equipo de protección individual.

#### **⚠ ATENCIÓN**

¡Peligro de aplastamiento al desplazar manualmente el sistema por encima de partes del cuerpo!

- ▶ **No** deposite el sistema sobre una superficie en pendiente.
- ▶ Utilice el equipo de protección individual.

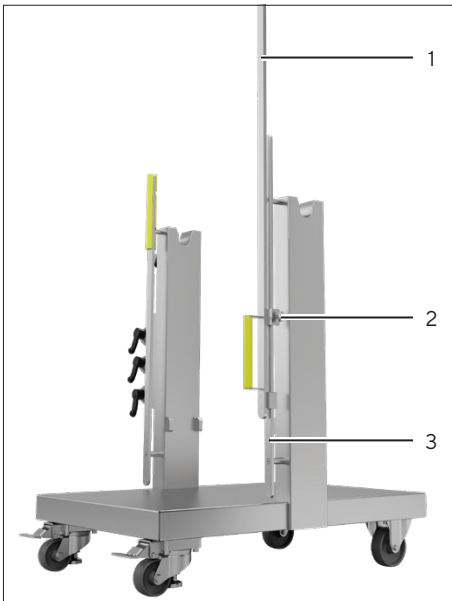
#### Procedimiento

- ▶ Si el freno de estacionamiento de las ruedas de transporte está activado: suelte el freno de estacionamiento de las ruedas de transporte. Para ello presione la palanca (1) hacia arriba con el pie.
- ▶ Coloque el sistema en la posición deseada.
- ▶ Active el freno de estacionamiento de las ruedas de transporte. Para ello presione la palanca hacia abajo con el pie.
- ▶ El carro está asegurado.



## 4.4 Montar la prolongación del carril del sistema

### Procedimiento

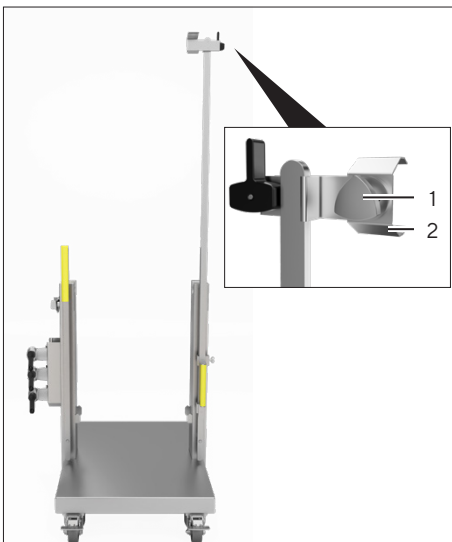


- ▶ Afloje el tornillo de mariposa (2) de la prolongación del carril del sistema.
- ▶ Empuje la prolongación del carril del sistema (1) desde arriba sobre la parte fija del carril del sistema (3).
- ▶ Para fijar la prolongación del carril del sistema: apriete el tornillo de mariposa (2) de la prolongación del carril del sistema.

## 4.5 Ajuste del soporte del filtro de aire

La pinza del filtro de aire en el soporte del filtro de aire se debe girar una vez 90° para que el filtro de aire pueda fijarse en posición vertical.

### Procedimiento



- ▶ Afloje el tornillo de empuñadura (1) de la pinza del filtro de aire.
- ▶ Gire 90° la pinza del filtro de aire (2).
- ▶ Apriete el tornillo de empuñadura de la pinza del filtro de aire.

## 5 Preparación del proceso

### 5.1 Montar el Maxicaps® MR

El montaje se muestra como ejemplo en un elemento de filtración con 9 unidades de filtración (MR9).

#### 5.1.1 Montar los mangos de elevación en la unidad de filtración

Dependiendo de la configuración de la unidad de filtración (MR2 - MR9), los mangos de elevación se deben colocar en diferentes posiciones de la unidad de filtración. Una marca de color en los mangos de elevación y en la unidad de filtración indica la posición correcta.

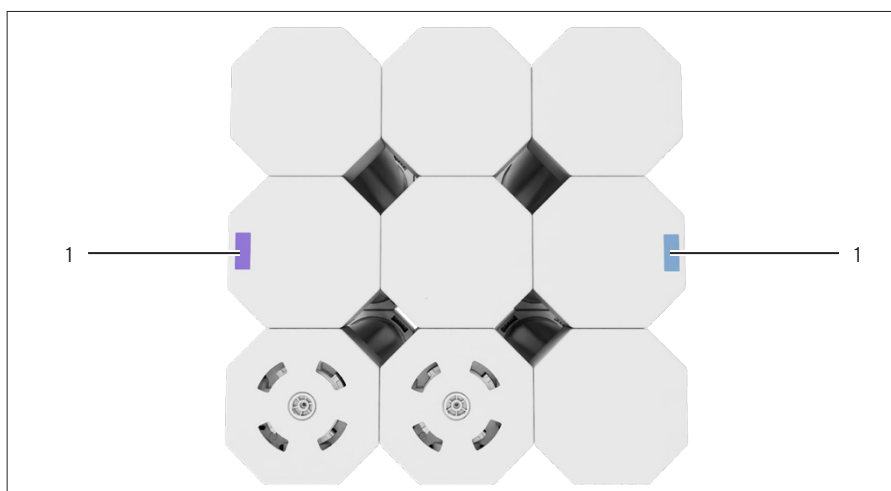


Fig. 8: Marca de color de la unidad de filtración - Vista en planta

Pos.	Nombre	Descripción
1	Marca de color de la unidad de filtración	<ul style="list-style-type: none"> <li>– Muestra la posición correcta para montar los mangos de elevación.</li> <li>– La marca de color de los mangos de elevación debe coincidir con la marca de color de la unidad de filtración.</li> </ul>

Personal: 2 personas, operadores

#### Requisitos

La unidad de filtración se ha desembalado.

## Procedimiento



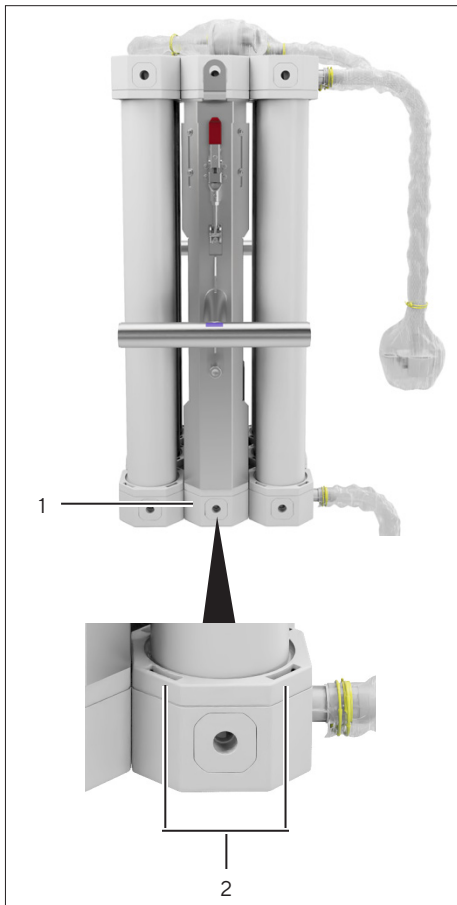
- ▶ Coloque la unidad de filtración en vertical.
- ▷ Los juegos de mangueras de purga y de inlet están en la parte superior. La flecha de la indicación de caudal en la unidad de filtración señala hacia el suelo.

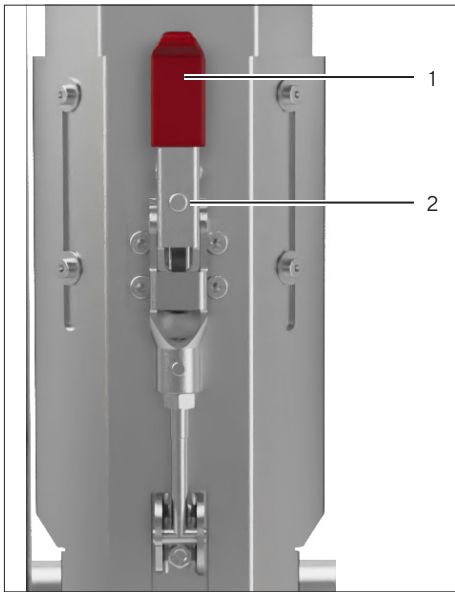
Operador 1:

- ▶ Sujete la unidad de filtración.

Operador 2:

- ▶ Para instalar el mango de elevación con la marca de color morado:
  - ▶ Seleccione el lado de la unidad de filtración con el marcado de color morado.
  - ▶ Introduzca el mango de elevación en los orificios (2) de la Outlet Plate (1).





- ▶ **⚠ ATENCIÓN** ¡Peligro de aplastamiento de los dedos al girar la palanca (1)! Presione el bloqueo (2) del mango y baje la palanca con cuidado.
- ▶ Coloque el mango de elevación a ras con el elemento de filtración.
- ▶ Suba la palanca (1).
- ▷ El bloqueo (2) se encaja.
- ▶ Si no es posible montar el mango de elevación o solo es posible hacerlo con una compresión elevada, compruebe la posición del mango de elevación y ajústela si es necesario.
  
- ▶ Monte el mango de elevación con la marca de color turquesa del mismo modo.

### 5.1.2 Montar la unidad de filtración en el carro sin Flexsafe® STR Lifting Device

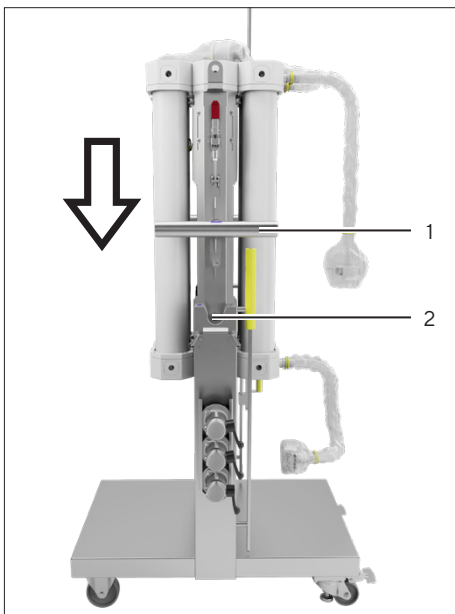
Personal: 2 personas, operadores

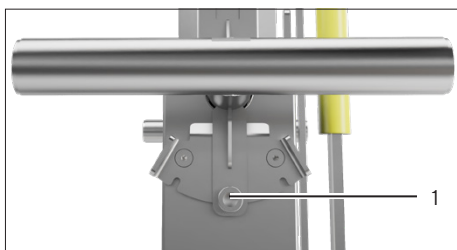
#### Requisitos

Los mangos de elevación están montados en la unidad de filtración.

#### Procedimiento

- ▶ Alinee el elemento de filtración con los mangos de elevación de modo que la marca de color del mango de elevación coincida con la marca de color del carro.
- ▶ Eleve el elemento de filtración con ayuda de los dos mangos de elevación (1) e insértelo en las cavidades (2) del carro.

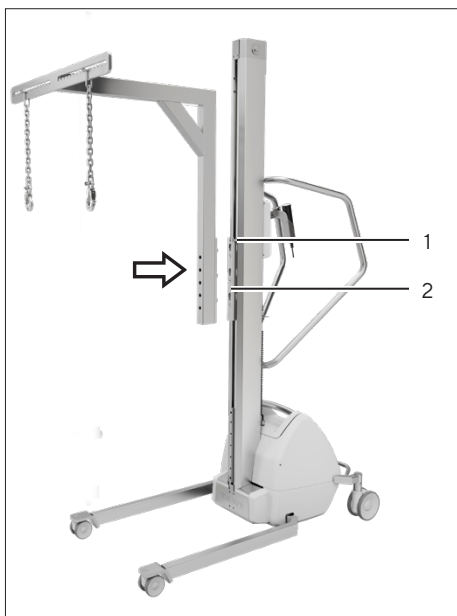




- ▶ Compruebe que el bloqueo de la función de giro esté encajado en la posición de filtración (1).

### 5.1.3 Instalar el Lifting Gear en el Flexsafe® STR Lifting Device

#### Procedimiento



- ▶ Introduzca el Lifting Gear en el elemento de conexión (2) del Flexsafe® STR Lifting Device.
- ▶ Compruebe que el perno de seguridad (1) esté encajado.

### 5.1.4 Montar la unidad de filtración en el carro con Flexsafe® STR Lifting Device

Personal: 2 personas, operadores

Material: Lifting Gear Maxicaps® MR y Flexsafe® STR Lifting Device

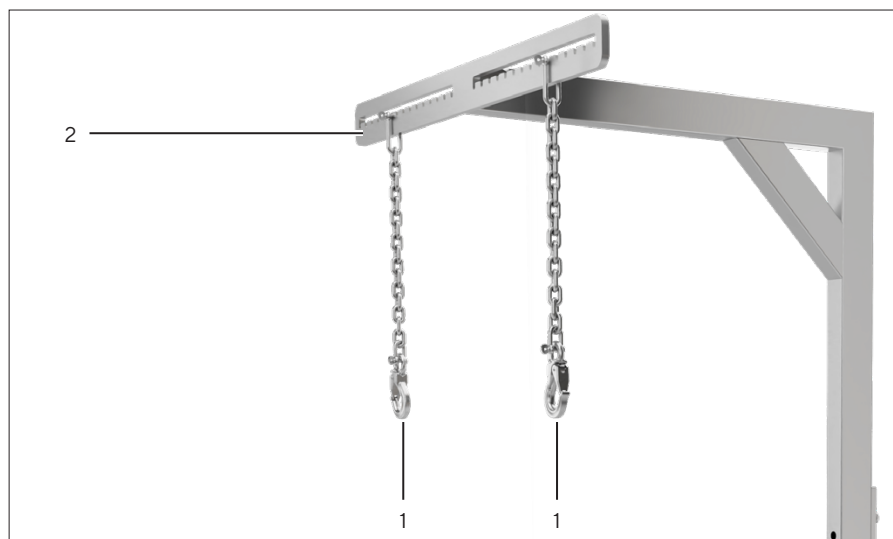


Fig. 9: Lifting Gear

Pos.	Nombre	Descripción
1	Gancho	Sirve para fijar el Lifting Gear en los puntos de anclaje de la unidad de filtración.
2	Rango de ajuste	Sirve para adaptarse a la anchura de la unidad de filtración.

#### Requisitos

- Los mangos de elevación están montados en la unidad de filtración.
- El carro está colocado de tal forma que el carril del sistema con el soporte del filtro de aire está orientado hacia atrás.
- Los frenos de estacionamiento están activados.

#### **⚠ ADVERTENCIA**

**¡Peligro de lesiones por la caída de piezas del sistema!**

- ▶ Observe el procedimiento durante el montaje.

#### **⚠ ADVERTENCIA**

**¡Peligro de lesiones por el vuelco del Flexsafe® STR Lifting Device!**

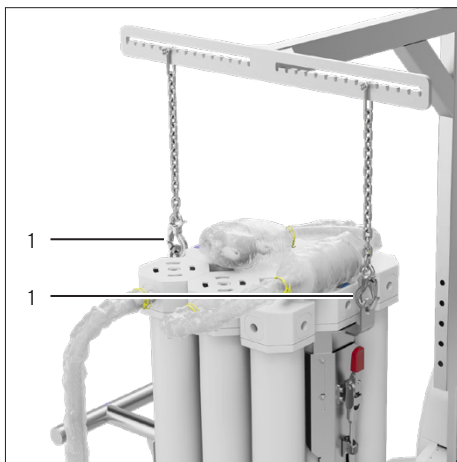
Si se supera la capacidad de carga máxima, el Flexsafe® STR Lifting Device puede volcar. De este modo se pueden provocar lesiones personales..

- ▶ Observe la capacidad de carga máxima del Flexsafe® STR Lifting Device (véase el diagrama de capacidad de carga del Flexsafe® STR Lifting Device).



## Procedimiento

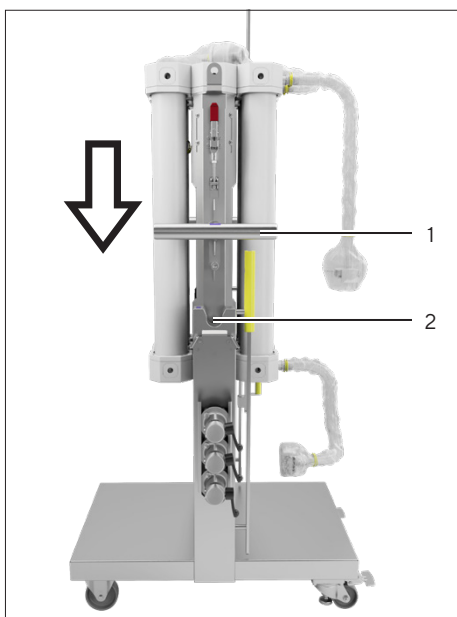
- ▶ Alinee el elemento de filtración con los mangos de elevación delante del carro de modo que la marca de color del mango de elevación coincida con la marca de color del carro.
- ▶ Coloque el Flexsafe® STR Lifting Device sobre la unidad de filtración.
- ▶ **⚠ ADVERTENCIA** ¡Peligro de lesiones por la caída de la unidad de filtración! Enganche los 2 ganchos del Lifting Gear únicamente en los 2 puntos de anclaje (ojales) (1) de los mangos de elevación.



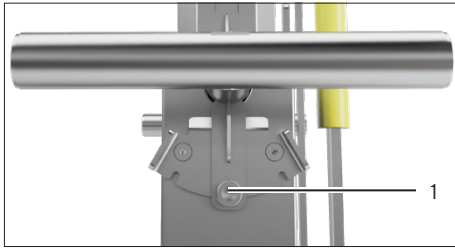
- ▶ Ajuste el Lifting Gear a la anchura de la unidad de filtración. Para ello introduzca la cadena por una cavidad adecuada en el rango de ajuste del Lifting Gear.



- ▶ Recomendación: las cadenas deben introducirse en las cavidades de modo que la distancia al centro sea lo más equitativa posible.
- ▶ Eleve la unidad de filtración con ayuda del Flexsafe® STR Lifting Device.
- ▶ Mueva el Flexsafe® STR Lifting Device hasta el carro y colóquelo sobre el carro.



- ▶ Descienda lentamente la unidad de filtración. Introduzca los 2 mangos de elevación (1) en las cavidades (2) del carro.



- ▶ Fije el bloqueo de la función de giro en la posición de filtración (1).

- ▶ Suelte los 2 ganchos del Lifting Gear de los puntos de anclaje de la unidad de filtración.

## 5.2 Montar los accionamientos de válvula

En la unidad de filtración se montarán 3 accionamientos de válvula:

- El accionamiento de válvula de inlet en la parte superior de la unidad de filtración abre y cierra la válvula de inlet.
- El accionamiento de válvula de purga en la parte superior de la unidad de filtración abre y cierra la válvula de purga.
- El accionamiento de válvula de outlet en la parte inferior de la unidad de filtración abre y cierra la válvula de outlet.

---

### AVISO

**¡Daños en la válvula interna de la unidad de filtración por montar varias veces el accionamiento de válvula!**

- ▶ Monte el accionamiento de válvula como máximo 3 veces en la misma válvula de un elemento de filtración.
- 

### Requisito

Los 3 accionamientos de válvula están en la posición [open].

### Procedimiento

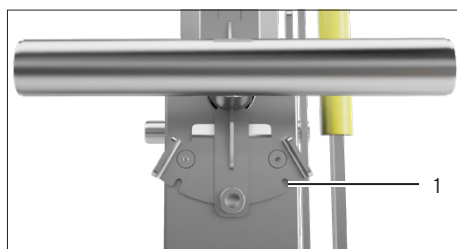
- ▶ Retire los 3 accionamientos de válvula del soporte de válvula.

### Elemento de filtración con juego de mangueras de purga



- ▶ Para montar el accionamiento de válvula de ventilación en la parte superior del elemento de filtración:
  - ▶ Tire del bloqueo del accionamiento de válvula (1) hacia arriba y coloque el accionamiento de válvula en la parte superior de la unidad de filtración.
  - ▶ Gire el accionamiento de válvula en el sentido horario hasta que encaje el bloqueo.
- ▶ Compruebe que el montaje del accionamiento de válvula sea correcto. El accionamiento de válvula **no** puede girarse en sentido antihorario.
  - ▶ En caso necesario: monte de nuevo el accionamiento de válvula.
- ▶ Cierre el accionamiento de válvula una vez y vuélvalo a abrir.
- ▷ El accionamiento de válvula se une con la membrana de la válvula.

### Elemento de filtración con mangueras de inlet y de outlet:



- ▶ Para montar el accionamiento de válvula de inlet en la parte superior del elemento de filtración:
  - ▶ Tire del bloqueo del accionamiento de válvula hacia arriba y coloque el accionamiento de válvula en la parte superior de la unidad de filtración.
  - ▶ Gire el accionamiento de válvula en el sentido horario hasta que encaje el bloqueo.
- ▶ Compruebe que el montaje del accionamiento de válvula sea correcto. El accionamiento de válvula **no** puede girarse en sentido antihorario.
  - ▶ En caso necesario: monte de nuevo el accionamiento de válvula.
- ▶ Cierre el accionamiento de válvula una vez y vuélvalo a abrir.
- ▷ El accionamiento de válvula se une con la membrana de la válvula.
- ▶ Opcional: para facilitar el acceso a la válvula de outlet desplace la unidad de filtración a la posición de purga (1) con ayuda de la función de giro.
- ▶ Para montar el accionamiento de la válvula de outlet en la parte inferior de la unidad de filtración proceda del mismo modo que para el accionamiento de las válvulas de inlet y de purga.

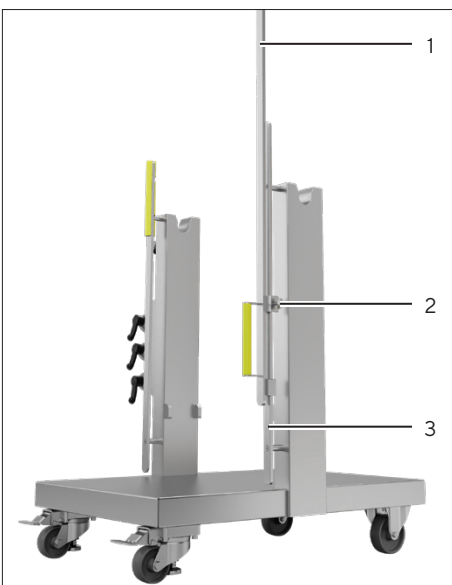
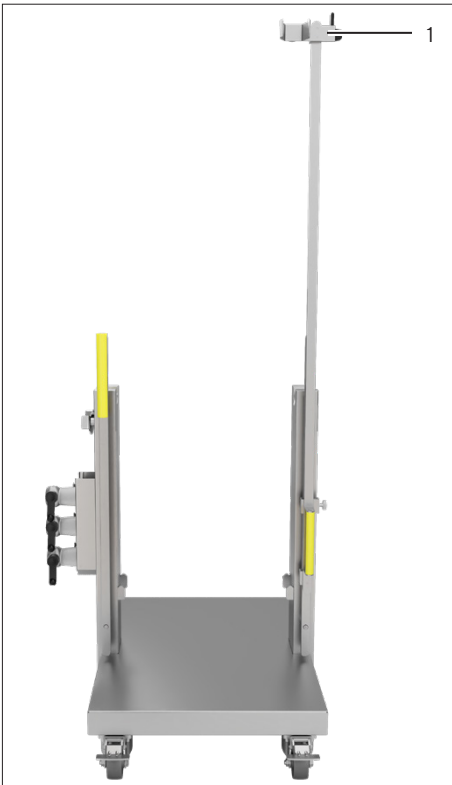
## 5.3 Montar el filtro de aire

### Requisito

El soporte del filtro de aire está ajustado para que el filtro de aire se pueda montar verticalmente (véase el Capítulo “4.5 Ajuste del soporte del filtro de aire”, página 155).

### Procedimiento

- ▶ Extraiga la manguera con el filtro de aire de la bolsa de plástico y retire las bridas de cable.
- ▶ Compruebe el asiento fijo de las pinzas en la manguera de purga.
  - ▶ En caso necesario: apriete firmemente las pinzas.
- ▶ Fije el filtro de aire en el soporte del filtro de aire (1).



- ▶ Para ajustar el carril del sistema a una altura adecuada:
  - ▶ Afloje el tornillo de mariposa (2) de la prolongación del carril del sistema.
  - ▶ Desplace hacia arriba la prolongación del carril del sistema (1) con ayuda del mango (3).
  - ▶ Una vez alcanzada la posición deseada, apriete el tornillo de mariposa (2).
- ▶ Compruebe que el juego de mangueras de purga **no** esté doblado ni combado.
  - ▶ En caso necesario: corrija la altura del carril del sistema.

## 6 Manejo

### 6.1 Llenar y purgar la unidad de filtración

#### Requisitos

- La unidad de filtración está en la posición de filtración.
- El filtro de aire está fijado en el soporte del filtro de aire.
- Los accionamientos de válvula están montados.

#### **⚠ ATENCIÓN**

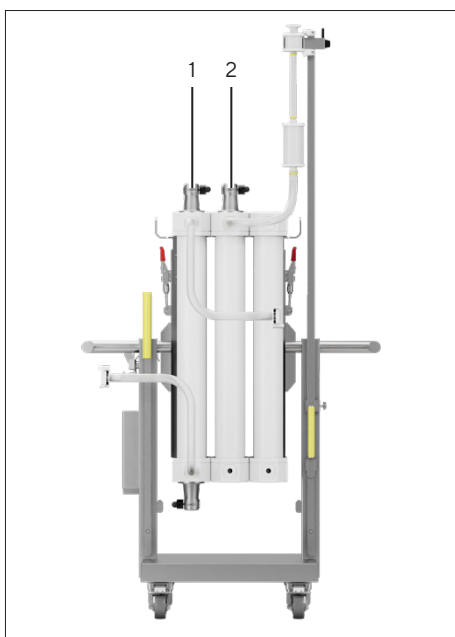
##### **¡Peligro de lesiones por fuga de líquido!**

El líquido puede escaparse debido al desprendimiento de mangueras o fugas en los puntos de conexión. De este modo se pueden provocar lesiones personales..

- ▶ Observe las presiones de servicio máximas (véase la información en la etiqueta de la unidad de filtración).
- ▶ Si se utiliza un juego de mangueras de purga Advanced: compruebe el asiento fijo de las conexiones Tri-Clamp y vuelva a apretarlas en caso necesario.
- ▶ Utilice un medidor para la supervisión de la presión.
- ▶ **No** deje el proceso sin supervisión.

#### Procedimiento

- ▶ Ajuste todos los accionamientos de válvula en la posición [close].
- ▶ Extraiga la manguera de inlet de la bolsa de plástico y retire las bridas de cable.
- ▶ Conecte la manguera de inlet (conexión, véanse las instrucciones de los conectores).
- ▶ Extraiga la manguera de outlet de la bolsa de plástico y retire las bridas de cable.
- ▶ Conecte la manguera de outlet (conexión, véanse las instrucciones de los conectores).
- ▶ Ajuste el accionamiento de válvula de inlet (1) y el accionamiento de válvula de purga (2) en la posición [open].
- ▶ Inicie el proceso de llenado. Durante el proceso, mantenga el flujo volumétrico máximo de 5 L/min.
- ▷ Se llena la unidad de filtración.
- ▶ **AVISO** ¡Obstrucción del filtro de aire por contacto con líquido o espuma! Si el recipiente de visualización empieza a llenarse de líquido o espuma: Detenga el flujo volumétrico.
- ▶ Gire lentamente de un lado hacia otro la unidad de filtración varias veces utilizando la función de giro.
- ▶ En caso necesario: corrija la altura del carril del sistema con el soporte del filtro de aire para evitar que se doble la manguera de purga.
- ▷ El resto de aire se escapa a través del filtro de aire.
- ▶ Si el líquido en el recipiente de visualización desciende bruscamente:
  - ▶ Rellénelo con un flujo volumétrico reducido.
  - ▶ Si el recipiente de visualización empieza a llenarse de líquido o espuma: Detenga el flujo volumétrico.



- ▶ Ajuste el accionamiento de válvula de inlet en la posición [close].
- ▶ Ajuste el accionamiento de válvula de purga en la posición [close].
- ▶ La unidad de filtración está llena y purgada.

## 6.2 Lavar la unidad de filtración

### Requisitos

La unidad de filtración está llena y purgada.

---

### ATENCIÓN

#### ¡Peligro de lesiones por fuga de líquido!

El líquido puede escaparse debido al desprendimiento de mangueras o fugas en los puntos de conexión. De este modo se pueden provocar lesiones personales..

- ▶ Observe las presiones de servicio máximas (véase la información en la unidad de filtración).
  - ▶ Si se utiliza un juego de mangueras de purga Advanced: compruebe el asiento fijo de las conexiones Tri-Clamp y vuelva a apretarlas en caso necesario.
  - ▶ Utilice un medidor para la supervisión de la presión.
  - ▶ **No** deje el proceso sin supervisión.
- 

### Procedimiento

- ▶ Para iniciar el lavado:
  - ▶ Ajuste el accionamiento de válvula de inlet y el accionamiento de válvula de outlet en la posición [open].
  - ▶ Inicie el flujo volumétrico.
- ▶ Para finalizar el lavado:
  - ▶ Detenga el flujo volumétrico.
  - ▶ Ajuste el accionamiento de válvula de inlet y el accionamiento de válvula de outlet en la posición [close].

## 6.3 Realizar la filtración

### Requisito

- La unidad de filtración está completamente purgada.
- Opcional: se ha realizado una prueba de integridad del filtro.
- Las mangueras de inlet y de outlet están conectadas.

### ATENCIÓN

#### ¡Peligro de lesiones por fuga de líquido!

El líquido puede escaparse debido al desprendimiento de mangueras o fugas en los puntos de conexión. De este modo se pueden provocar lesiones personales..

- ▶ Observe las presiones de servicio máximas (véase la información en la unidad de filtración).
- ▶ Si se utiliza un juego de mangueras de purga Advanced: compruebe el asiento fijo de las conexiones Tri-Clamp y vuelva a apretarlas en caso necesario.
- ▶ Utilice un medidor para la supervisión de la presión, por ejemplo, Sartorius Sensor Transfer Sets.
- ▶ **No** deje el proceso sin supervisión.

### Procedimiento

- ▶ Para iniciar el proceso de filtración:
  - ▶ Compruebe que el accionamiento de válvula de purga esté en la posición [close].
  - ▶ Ajuste el accionamiento de válvula de inlet en la posición [open].
  - ▶ Ajuste el accionamiento de válvula de outlet en la posición [open].
  - ▶ Inicie el flujo volumétrico de filtración.
  - ▶ Se inicia el proceso de filtración.
- ▶ Para finalizar el proceso de filtración:
  - ▶ Detenga el flujo volumétrico de filtración.
  - ▶ Ajuste el accionamiento de válvula de inlet y el accionamiento de válvula de outlet en la posición [close].

## 6.4 Realizar la prueba de integridad del filtro

Una prueba de integridad del filtro puede realizarse antes de un proceso de filtración y también después de un proceso de filtración: los valores límite de la prueba de integridad del filtro, así como los parámetros de la prueba, se indican en la hoja de datos de Maxicaps MR.

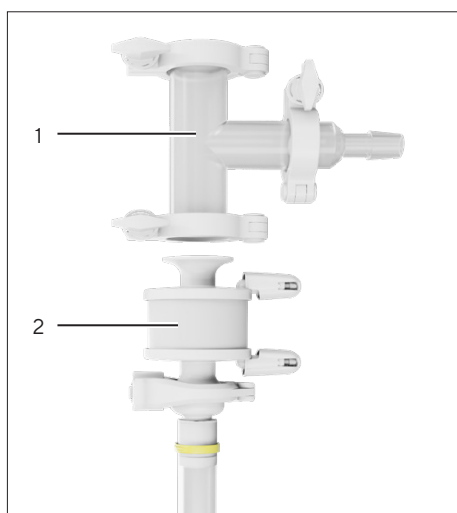
- Material:
- Pressure Safety Device
  - Tri-Clamp ½"
  - Aparato de prueba de integridad del filtro, por ejemplo, Sartocheck 5
  - En caso necesario: tanque de referencia externo (volumen neto > 13 L)

### Requisito

- La unidad de filtración es adecuada para la prueba de integridad del filtro.
- La manguera de outlet está sin presión.

### Procedimiento

- ▶ Compruebe que los 3 accionamientos de válvula estén en la posición [close].
- ▶ Deslice hacia abajo la prolongación del carril del sistema con el soporte del filtro de aire y extraiga el filtro de aire.
- ▶ Conecte el filtro de aire (2) y el Pressure Safety Device (1) con la Tri-Clamp.
- ▶ Conecte el aparato de prueba de integridad del filtro con el Pressure Safety Device.
- ▶ Fije el recipiente de visualización al soporte del filtro de aire.
- ▶ Compruebe que la manguera **no** esté doblada.
- ▶ Coloque la unidad de filtración en la posición de vaciado.
- ▶ Ajuste el accionamiento de válvula de purga y el accionamiento de válvula de outlet en la posición [open].
- ▶ Defina los parámetros en el aparato de prueba de integridad del filtro (parámetros, véase el Capítulo 12.5, página 179).
- ▶ Inicie el programa de difusión del aparato de prueba de integridad del filtro (véanse las instrucciones del aparato de prueba de integridad del filtro).
- ▷ La unidad de filtración se vacía.
- ▶ Si la prueba de integridad del filtro ha finalizado:
  - ▶ Ajuste el accionamiento de válvula de purga en la posición [close].
  - ▶ Ajuste el accionamiento de válvula de outlet en la posición [close].
- ▶ Desinstale el aparato de prueba de integridad del filtro del Pressure Safety Device.
- ▶ Desinstale el Safety Pressure Device del filtro de aire y guárdelo.



## 6.5 Vaciar la unidad de filtración

### 6.5.1 Vaciar la unidad de filtración de forma gravimétrica

#### Requisitos

- El proceso de filtración ha finalizado.
- El sistema **no** está bajo presión.

#### Procedimiento

- ▶ Coloque la unidad de filtración en la posición de vaciado.
- ▶ En caso necesario: corrija la altura del carril del sistema con el soporte del filtro de aire para evitar que se doble la manguera de purga.
- ▶ Ajuste el accionamiento de válvula de purga en la posición [open].
- ▶ Ajuste el accionamiento de válvula de outlet en la posición [open].
- ▷ La unidad de filtración se vacía.
- ▶ Si ya no sale más líquido de la unidad de filtración: ajuste el accionamiento de válvula de outlet y el accionamiento de válvula de purga en la posición [close].



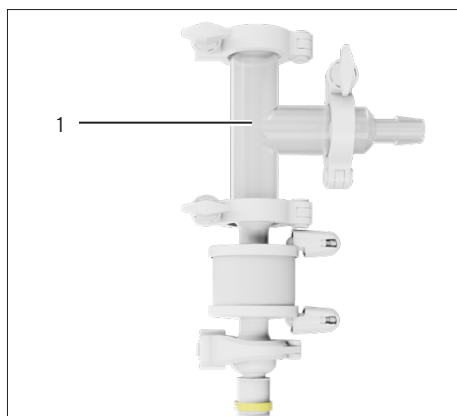
## 6.5.2 Vaciar la unidad de filtración con aire comprimido

### Requisitos

- El proceso de filtración ha finalizado.
- El sistema **no** está bajo presión.

### Procedimiento

- ▶ Deslice hacia abajo la prolongación del carril del sistema con el soporte del filtro de aire y extraiga el filtro de aire.
- ▶ Conecte el filtro de aire y el Pressure Safety Device con la Tri-Clamp.
- ▶ Conecte el suministro de aire comprimido al Pressure Safety Device (1).
- ▶ Compruebe que el accionamiento de válvula de inlet esté en la posición [close].
- ▶ Coloque la unidad de filtración en la posición de vaciado.
- ▶ Ajuste el accionamiento de válvula de outlet en la posición [open].
- ▶ Asegúrese de que la manguera de purga **no** esté doblada.
- ▶ Aplique una presión de máximo 0,5 bar al sistema.
- ▶ Supervise la aplicación de presión durante el proceso de vaciado final.
- ▷ La unidad de filtración se vacía.
- ▶ Si ya no sale más líquido de la unidad de filtración:
  - ▶ Cierre el suministro de aire comprimido.
  - ▶ Ajuste el accionamiento de válvula de purga en la posición [close].
  - ▶ Ajuste el accionamiento de válvula de outlet en la posición [close].



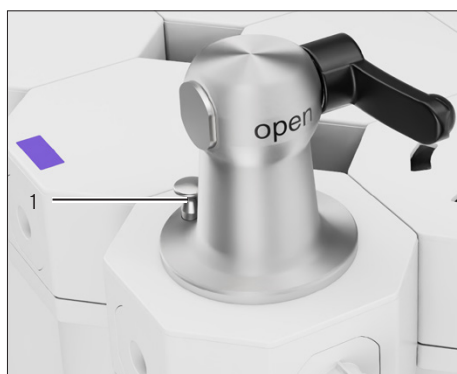
## 6.6 Desconectar las conexiones y los accionamientos de válvula de la unidad de filtración

### Requisitos

- El proceso de filtración ha finalizado.
- La unidad de filtración se ha vaciado.
- El sistema **no** está bajo presión.

### Procedimiento

- ▶ Ajuste los 3 accionamientos de válvula en la posición [open].
- ▶ Desconecte la manguera de inlet y la de outlet, por ejemplo, con Clipster® o BioSealer®.
- ▶ Afloje los 3 accionamientos de válvula. Para ello eleve el bloqueo (1), gire el accionamiento de válvula en sentido antihorario y retírelo.
- ▶ Guarde los 3 accionamientos de válvula en el soporte de válvulas del carro.



## 6.7 Montar la unidad de filtración y los mangos de elevación sin Flexsafe® STR Lifting Device

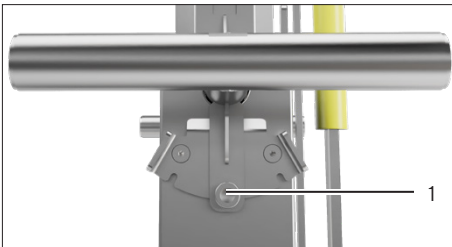
Personal: 2 personas, operadores

### Requisitos

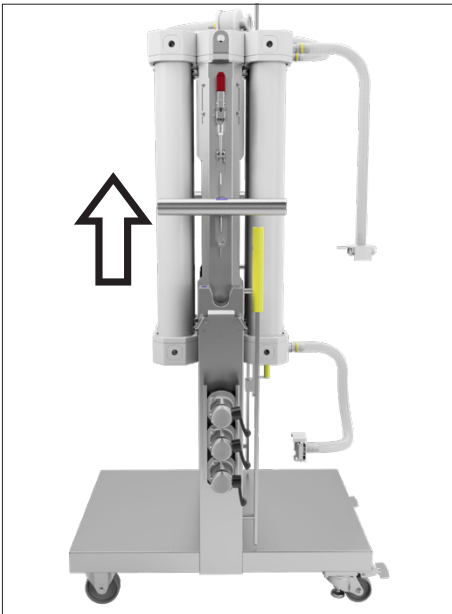
- El filtro de aire **no** se encuentra en el soporte del filtro de aire.
- Las conexiones y los accionamientos de válvula se han desconectado de la unidad de filtración.
- La unidad de filtración está en la posición de filtración.

### Procedimiento

- ▶ Afloje el bloqueo (1) de la función de giro.

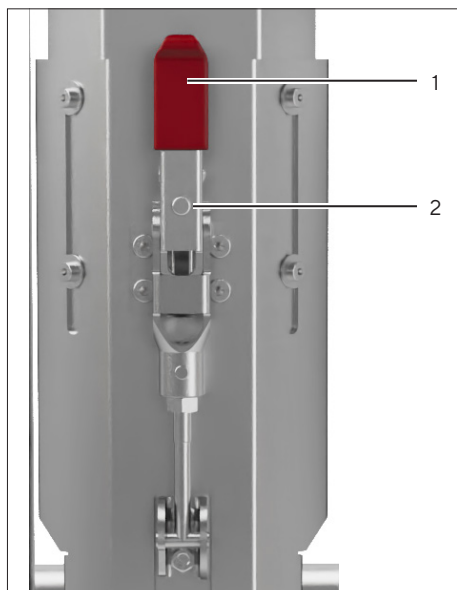


- ▶ Retire el elemento de filtración del soporte del carro elevándolo hacia arriba con los dos mangos de elevación y deposítelo con cuidado.



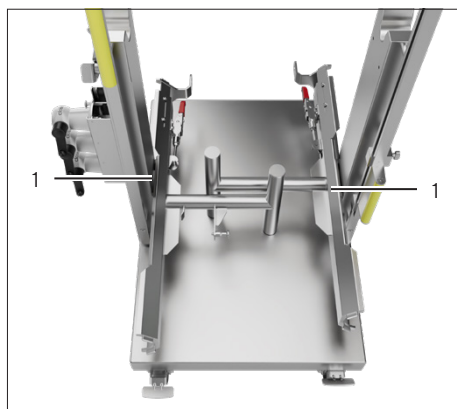
Operador 1:

- ▶ Sujete la unidad de filtración.



Operador 2:

- ▶ **⚠ ATENCIÓN** ¡Peligro de aplastamiento de los dedos al girar la palanca (1)! Presione el bloqueo (2) del mango y baje la palanca con cuidado.
- ▶ Retire con cuidado el mango de elevación hacia arriba y deposítelo.
- ▶ Suba la palanca (1).
- ▷ El bloqueo de seguridad (2) se encaja.
- ▶ Desmonte el segundo mango del mismo modo.
- ▶ Elimine la unidad de filtración (véase el Capítulo "11 Eliminación", página 176).



- ▶ Enganche los dos mangos de elevación en los 2 soportes (1) que hay en el interior del carro.

## 6.8 Desmontar la unidad de filtración y los mangos de elevación con Flexsafe® STR Lifting Device

Las unidades de filtración pueden tener un peso propio elevado tras el proceso de filtración. Se recomienda realizar el transporte de la unidad de filtración con un Sartorius Flexsafe® STR Lifting Device.

Personal: 2 personas, operadores

Material Lifting Gear Maxicaps® MR y Flexsafe® STR Lifting Device

### Requisitos

- El filtro de aire **no** se encuentra en el soporte del filtro de aire.
- Las conexiones y los accionamientos de válvula se han desconectado de la unidad de filtración.
- La unidad de filtración está en la posición de filtración.
- El Lifting Gear está instalado en el Flexsafe® STR Lifting Device (véanse las instrucciones de Flexsafe® STR Lifting Device).

**⚠ ADVERTENCIA****¡Peligro de lesiones por la caída de piezas del sistema!**

- ▶ Observe el procedimiento durante el desmontaje.

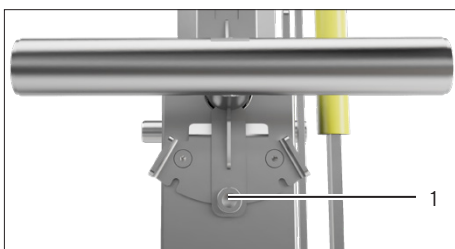
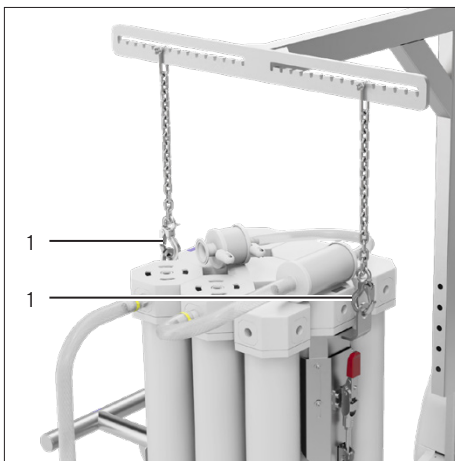
**⚠ ADVERTENCIA****¡Peligro de lesiones por el vuelco del Flexsafe® STR Lifting Device!**

Si se supera la capacidad de carga máxima, el Flexsafe® STR Lifting Device puede volcar. De este modo se pueden provocar lesiones personales..

- ▶ Observe la capacidad de carga máxima del Flexsafe® STR Lifting Device (véase el diagrama de capacidad de carga del Flexsafe® STR Lifting Device).
- ▶ Eleve la unidad de filtración **solo** cuando esté vacía.
- ▶ Eleve la unidad de filtración **solo** cuando se haya aflojado el bloqueo entre el mango de elevación y el carro.

**Procedimiento**

- ▶ Acerque el Flexsafe® STR Lifting Device a la parte posterior del Maxicaps® MR y colóquelo de forma que el Lifting Gear quede lo más centrado posible sobre la unidad de filtración.
- ▶ **⚠ ADVERTENCIA** ¡Peligro de lesiones por el posicionamiento incorrecto del Lifting Gear! Enganche los 2 ganchos del Lifting Gear en los 2 puntos de anclaje (ojales) (1) del mango de elevación.
- ▶ Ajuste el Lifting Gear a la anchura de la unidad de filtración. Para ello introduzca la cadena en una cavidad adecuada del Lifting Gear.
- ▶ Recomendación: las cadenas deben introducirse en las cavidades de modo que la distancia al centro sea lo más equitativa posible.



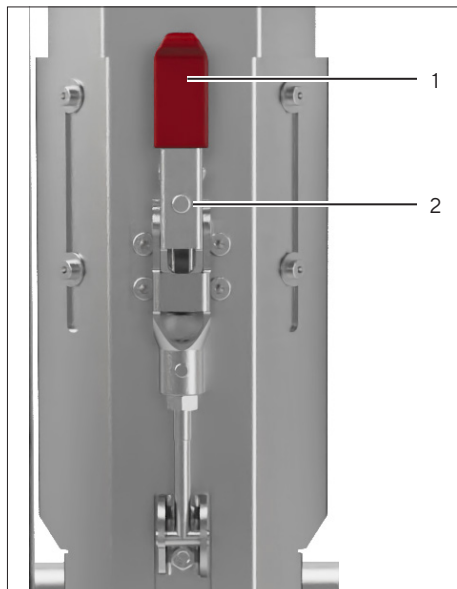
- ▶ Afloje el bloqueo (1) de la función de giro con una mano.
- ▶ Con la otra mano, eleve ligeramente el mango de elevación para que el bloqueo no se encaje de nuevo de inmediato.

- ▶ Vuelva a elevar la unidad de filtración con ayuda del Flexsafe® STR Lifting Device de forma que la unidad de filtración pueda colocarse sobre el carro. Compruebe que los ganchos no están enganchados durante el proceso.
- ▶ Deposite la unidad de filtración en un lugar adecuado.
- ▶ En caso necesario: al depositarla, corrija la posición de la unidad de filtración para que no se deposite sobre el brazo del Flexsafe® STR Lifting Device.

- ▶ Suelte los 2 ganchos del Lifting Gear de los puntos de anclaje de la unidad de filtración.

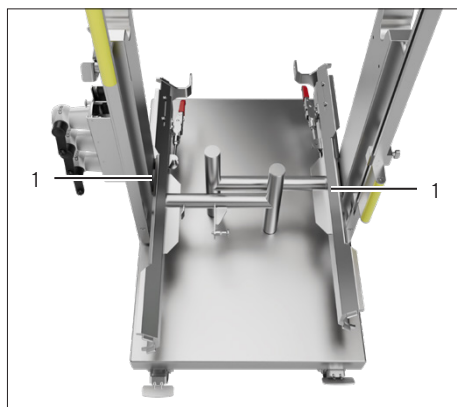
Operador 1:

- ▶ Sujete la unidad de filtración.



Operador 2:

- ▶ Presione el bloqueo de seguridad (2) y baje la palanca (1) con cuidado.
- ▶ Retire con cuidado el mango de elevación hacia arriba y deposítelo.
- ▶ Suba la palanca (1).
- ▷ El bloqueo de seguridad (2) se encaja.
- ▶ Desmonte el segundo mango del mismo modo.
- ▶ Elimine la unidad de filtración (véase el Capítulo "11 Eliminación", página 176).



- ▶ Enganche los dos mangos de elevación en los 2 soportes (1) que hay en el interior del carro.

## 7 Limpieza

### 7.1 Limpiar el carro y los mangos de elevación

#### Requisitos

El proceso de filtración ha finalizado.

#### Procedimiento

- ▶ Utilice solo productos de limpieza adecuados y tenga en cuenta la información del producto de limpieza utilizado (productos de limpieza, véase el Capítulo 12.11, página 180)
- ▶ Limpie el carro y los mangos de elevación con un paño de limpieza ligeramente humedecido. Utilice lejía jabonosa suave o un producto de limpieza adecuado para eliminar la suciedad más resistente.

## 8 Averías

Avería	Causa	Solución	Capítulo, página	Grupo de destinatarios
El filtro del aire está bloqueado.	Ha penetrado líquido o espuma en el filtro de aire.	Elimine la unidad de filtración.	11.1, 176	Operador
Durante la prueba de integridad del filtro <b>no</b> se genera presión alguna.	El disco de ruptura del Pressure Safety Device es defectuoso.	<ul style="list-style-type: none"> <li>– Elimine el Pressure Safety Device defectuoso.</li> <li>– Utilice un Pressure Safety Device nuevo.</li> </ul>		Operador
<b>No</b> se ha superado la prueba de integridad del filtro.	Humectación insuficiente de la unidad de filtración.	<ul style="list-style-type: none"> <li>– Lave de nuevo la unidad de filtración.</li> <li>– Repita la prueba de integridad del filtro.</li> </ul>	6.2, 166 y 6.4, 167	Operador
La presión de entrada es superior a la presión de servicio admisible.	La manguera de inlet y   o la manguera de outlet están cerradas.	Abra la manguera de inlet y   o la manguera de outlet.		Operador
	El filtro del aire está bloqueado.	Elimine la unidad de filtración.		
	La unidad de filtración está bloqueada	Elimine la unidad de filtración.		

## 9 Transporte

### Requisitos

- El proceso de filtración ha finalizado.
- La unidad de filtración y los mangos de elevación están desmontados.

### ⚠ ATENCIÓN

¡Peligro de aplastamiento al manejar el freno de estacionamiento!

- ▶ Maneje el freno de estacionamiento únicamente con el pie.
- ▶ Utilice el equipo de protección individual.

### ⚠ ATENCIÓN

¡Peligro de aplastamiento al desplazar manualmente el sistema por encima de partes del cuerpo!

- ▶ **No** deposite el sistema sobre una superficie en pendiente.
- ▶ Utilice el equipo de protección individual.

### Procedimiento

- ▶ Empuje la prolongación del carril del sistema con el soporte del filtro de aire hasta la posición inferior.
- ▶ Suelte el freno de estacionamiento de las ruedas de transporte. Para ello presione la palanca (1) hacia arriba con el pie.
- ▶ Desplace el carro hasta la posición deseada con ayuda de los mangos.



## 10 Almacenamiento y envío

### 10.1 Almacenar el carro y los mangos de elevación

#### Procedimiento

- ▶ Limpie el carro y los mangos de elevación.
- ▶ Almacene el sistema de acuerdo con las condiciones del entorno (véase el Capítulo 12.4, página 179).

### 10.2 Devolver el sistema y las piezas

Puede devolver a Sartorius las piezas defectuosas. Las piezas devueltas deben estar limpias, descontaminadas y correctamente embaladas.

Los daños de transporte y las medidas de limpieza y desinfección posteriores e las piezas que deba llevar a cabo Sartorius correrán a cargo del remitente.

**No** se admitirá para su reparación y eliminación ninguna pieza contaminada con sustancias peligrosas, por ejemplo, con sustancias biológicas o químicas que supongan un peligro para la salud.

#### Procedimiento

- ▶ Póngase en contacto con Sartorius Service para obtener indicaciones para la devolución (véase [www.sartorius.com](http://www.sartorius.com)).
- ▶ Embale correctamente las piezas para la devolución.

## 11 Eliminación

### 11.1 Eliminar el sistema y las piezas

El sistema y sus accesorios deben eliminarse de forma adecuada a través de centros de recogida de residuos.

#### Requisitos

El sistema está descontaminado.

#### Procedimiento

- ▶ Elimine las piezas del sistema según las disposiciones jurídicas del país.
- ▶ Elimine el embalaje de conformidad con las disposiciones jurídicas del país.



## 12 Datos técnicos

### 12.1 Pesos

#### 12.1.1 Pesos de la unidad de filtración

Maxicaps® MR	Valor	Peso total en seco sin embalaje*	Peso total en seco con embalaje*	Peso total llena*	Peso total vacía (tras prueba PI con 2,5 bar)*
MR2	kg	7	9	14	8
MR3	kg	10	13	21	11
MR4	kg	12	15	27	14
MR5	kg	15	18	33	17
MR6	kg	18	21	41	21
MR7	kg	20	24	46	23
MR8	kg	23	27	52	27
MR9	kg	26	29	60	30

\* Los valores deben entenderse como valores orientativos. Los valores reales dependen de diversos factores (por ejemplo: el lote de los filtros, la configuración de las mangueras, el nivel de llenado al purgar) y pueden ser diferentes de los valores aquí indicados. Los valores se determinaron utilizando el ejemplo de un Sartopore® 2; 0,2 µm, (entrada | salida cada 1,5 m TuFlux® TPE + conector TC)

#### 12.1.2 Pesos de los componentes multi-use

	Unidad	Valor
Carro	kg	64
Mango de elevación (por lado)	kg	4
Accionamiento de válvula	kg	2
Lifting Gear + brazo	kg	11

## 12.2 Medidas del sistema completo Maxicaps® MR

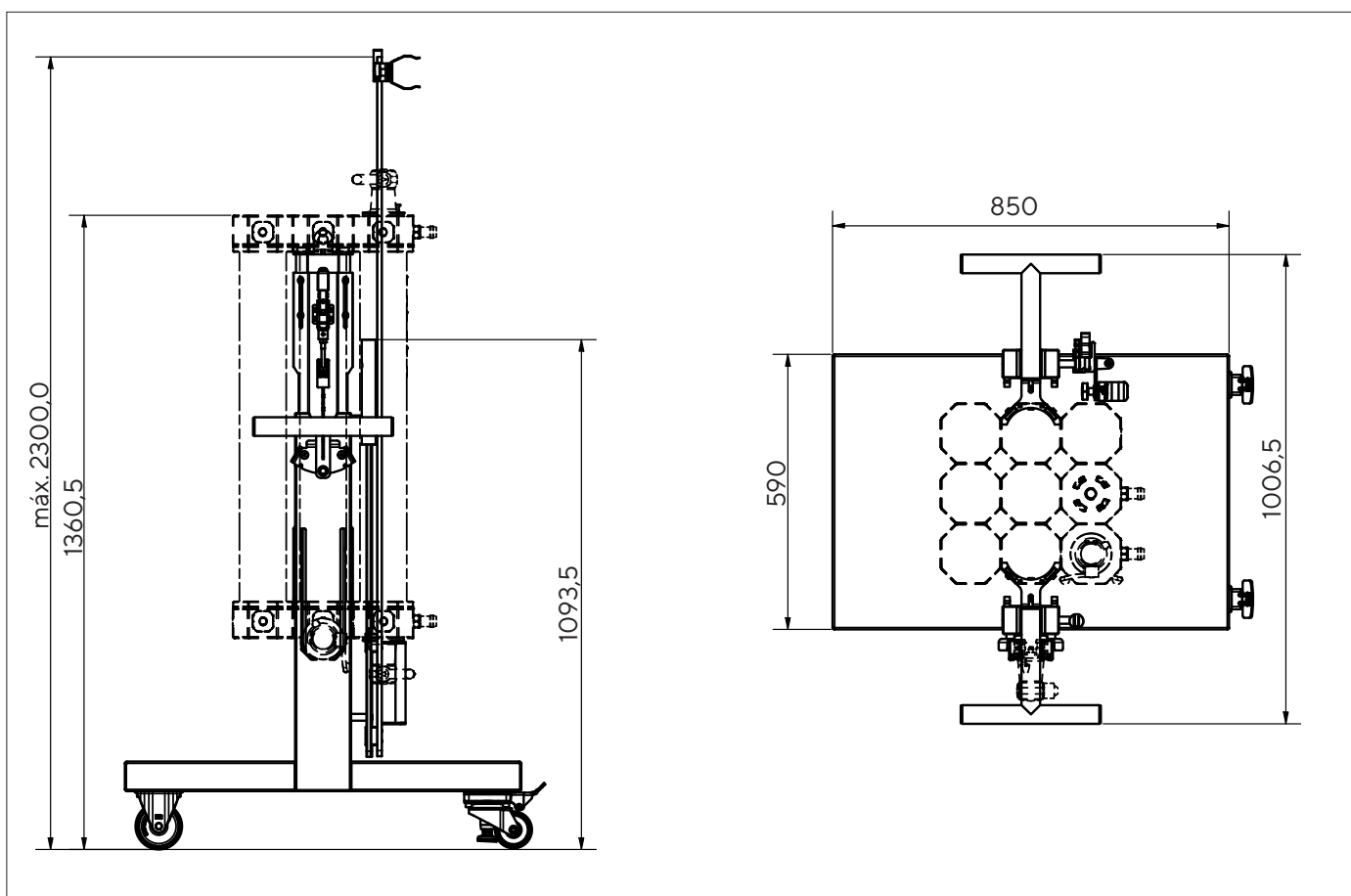


Fig.10: Medidas del sistema completo en mm

## 12.3 Volumen total de la unidad de filtración

Maxicaps® MR	Valor	Volumen total (Upstream Volume)
MR2	L	7
MR3	L	10
MR4	L	13
MR5	L	15
MR6	L	18
MR7	L	21
MR8	L	24
MR9	L	26

\* Los valores deben entenderse como valores orientativos y pueden ser diferentes de los valores aquí indicados. Los valores se determinaron utilizando el ejemplo de un Sartopore® 2; 0,2 µm, (entrada | salida cada 1,5 m TuFlux® TPE + conector TC)

## 12.4 Condiciones del entorno y de almacenamiento

	Unidad	Valor
Temperatura		
Servicio, almacenamiento, transporte	°C	+5 – +40
Durante la prueba de integridad del filtro	Temperatura ambiente constante	
Humedad relativa del aire (servicio, almacenamiento, transporte)	%	< 85

## 12.5 Parámetros de la prueba de integridad del filtro

	Unidad	Valor
Gases admisibles		Aire comprimido, nitrógeno
Presión, máxima*	bar	2,5
* Parámetros de prueba específicos del filtro, véase la hoja de datos		

## 12.6 Parámetros para el vaciado de la unidad de filtración con aire comprimido

	Unidad	Valor
Presión, máxima	bar	0,5

## 12.7 Periodo de servicio máximo por unidad de filtración

	Unidad	Valor
Tiempo	h	48
Ciclos de presión (1 ciclo de presión = $\Delta p > 20\%$ )		500

## 12.8 Vida útil del carro, accionamiento de válvula y de los mangos de elevación

	Unidad	Valor
Vida útil	a	8

## 12.9 Unidades de filtración homologadas

Unidad de filtración Maxicaps MR® del tipo FMRxxxxx\*

\* en función de la configuración

## 12.10 Materiales de los componentes multi-use

	Material
Carro	Acero inoxidable
Mangos de elevación	Acero inoxidable

## 12.11 Productos y métodos de limpieza

Productos de limpieza

**Ningún** componente cáustico o abrasivo

**Ningún** componente con cloro o cloruro

**Ningún** disolvente

Métodos de limpieza

**No** utilice limpiadores a presión o limpiadores a chorro de vapor

**Ningún** procedimiento de pulverización para la limpieza o desinfección

## 13 Accesorios

En esta tabla se incluye un extracto de los accesorios disponibles. Para obtener información sobre otros artículos póngase en contacto con Sartorius.

Artículo	Cantidad	Número de pedido
Pressure Safety Device	1	26787---PS
Flexsafe® STR 500 - 1000 Lifting Device (marca Tawi)	1	DZ-----LT2
Flexsafe® STR 2000 Lifting Device (marca Tawi)	1	DZ-----LT1

## 14 Sartorius Service

Sartorius Service está a su disposición para cualquier consulta sobre el sistema. Consulte las direcciones, los servicios ofrecidos y la forma de contacto del servicio técnico en la página web de Sartorius ([www.sartorius.com](http://www.sartorius.com)).

En caso de consultas relativas al sistema y para contactar en caso de fallos de funcionamiento, tenga siempre a mano la información del sistema, por ejemplo, el número de serie, para proporcionarla a Sartorius Service. Para ello consulte la información de la placa de características.

## 15 Documentos de conformidad

Los documentos adjuntos declaran la conformidad del aparato con las directivas o normas mencionadas.

# Indice

<b>1</b>	<b>Riguardo questo manuale</b>	<b>184</b>
1.1	Validità	184
1.2	Documenti di riferimento	184
1.3	Destinatari	184
1.4	Spiegazione dei simboli	185
1.4.1	Avvertenze nelle descrizioni delle azioni	185
1.4.2	Ulteriori simboli utilizzati	185
<b>2</b>	<b>Istruzioni di sicurezza</b>	<b>186</b>
2.1	Uso previsto	186
2.1.1	Modifiche al sistema	186
2.1.2	Qualificazione del personale	187
2.2	Dispositivi di sicurezza	187
2.3	Informazioni di sicurezza sul sistema	187
2.4	Accessori	187
2.5	Attrezzature di protezione individuale	187
2.6	Danneggiamento dell'unità di filtrazione	188
2.7	Peso elevato	188
2.8	Attrezzo di sollevamento	188
2.9	Mezzi sotto pressione	188
2.10	Spostamento accidentale del sistema	188
2.11	Ribaltamento del sistema	189
<b>3</b>	<b>Descrizione del sistema</b>	<b>190</b>
3.1	Visione d'insieme del sistema	190
3.2	Trolley con maniglie di sollevamento	191
3.3	Unità di filtrazione	192
3.4	Etichetta dell'unità di filtrazione	193
3.5	Funzione di inclinazione	194
3.6	Attuatori per valvola	195
3.7	Dispositivi di sicurezza	196
3.8	Simboli sul sistema	197
<b>4</b>	<b>Installazione</b>	<b>198</b>
4.1	Scegliere il luogo d'installazione	198
4.2	Disimballaggio	198
4.2.1	Disimballare il Trolley e le maniglie di sollevamento	198
4.2.2	Disimballare l'unità di filtrazione Maxicaps® MR	198
4.3	Posizionare e bloccare il Trolley sul luogo d'installazione	199
4.4	Montare l'estensione della guida del sistema	200
4.5	Regolare il supporto per filtro dell'aria	200
<b>5</b>	<b>Preparazione del processo</b>	<b>201</b>
5.1	Montare Maxicaps® MR	201
5.1.1	Montare le maniglie di sollevamento sull'unità di filtrazione	201
5.1.2	Montare l'unità di filtrazione sul Trolley senza usare il Flexsafe® STR Lifting Device	203
5.1.3	Installare il Lifting Gear sul Flexsafe® STR Lifting Device	204
5.1.4	Montare l'unità di filtrazione sul Trolley usando il Flexsafe® STR Lifting Device	205

5.2	Montare gli attuatori per valvola .....	207
5.3	Montare il filtro dell'aria.....	209
<b>6</b>	<b>Funzionamento .....</b>	<b>210</b>
6.1	Riempire e sfiatare l'unità di filtrazione .....	210
6.2	Flussare l'unità di filtrazione .....	211
6.3	Eseguire la filtrazione .....	212
6.4	Eseguire un test d'integrità di filtri .....	212
6.5	Svuotare l'unità di filtrazione.....	213
6.5.1	Svuotare l'unità di filtrazione in modo gravimetrico .....	213
6.5.2	Svuotare l'unità di filtrazione con aria compressa .....	214
6.6	Scollegare i raccordi e gli attuatori per valvola dall'unità di filtrazione .....	214
6.7	Montare l'unità di filtrazione e le maniglie di spostamento senza usare il Flexsafe® STR Lifting Device .....	215
6.8	Smontare l'unità di filtrazione e le maniglie di spostamento usando il Flexsafe® STR Lifting Device .....	216
<b>7</b>	<b>Pulizia.....</b>	<b>219</b>
7.1	Pulire il Trolley e le maniglie di sollevamento .....	219
<b>8</b>	<b>Guasti.....</b>	<b>219</b>
<b>9</b>	<b>Trasporto.....</b>	<b>220</b>
<b>10</b>	<b>Stoccaggio e spedizione .....</b>	<b>221</b>
10.1	Stoccare il Trolley e le maniglie di sollevamento .....	221
10.2	Restituire l'apparecchio e i componenti .....	221
<b>11</b>	<b>Smaltimento .....</b>	<b>221</b>
11.1	Smaltire l'apparecchio e i componenti.....	221
<b>12</b>	<b>Dati tecnici.....</b>	<b>222</b>
12.1	Pesi .....	222
12.1.1	Pesi dell'unità di filtrazione .....	222
12.1.2	Pesi dei componenti multiuso.....	222
12.2	Dimensioni dell'intero sistema Maxicaps® MR .....	223
12.3	Volume complessivo dell'unità di filtrazione.....	223
12.4	Condizioni ambientali e di stoccaggio .....	224
12.5	Parametri per test d'integrità di filtri .....	224
12.6	Parametri per lo svuotamento dell'unità di filtrazione con aria compressa.....	224
12.7	Tempo di funzionamento massimo per ogni unità di filtrazione.....	224
12.8	Vita utile del Trolley, attuatore per valvola e delle maniglie di sollevamento ...	224
12.9	Unità di filtrazione consentite.....	224
12.10	Materiali dei componenti multiuso .....	225
12.11	Prodotti detergenti e metodi di pulizia .....	225
<b>13</b>	<b>Accessori.....</b>	<b>226</b>
<b>14</b>	<b>Sartorius Service .....</b>	<b>226</b>
<b>15</b>	<b>Documenti relativi alla conformità .....</b>	<b>226</b>

# 1 Riguardo questo manuale

## 1.1 Validità

Il presente manuale fa parte del sistema, deve essere letto attentamente e conservato. Il manuale vale per il sistema nelle seguenti versioni:

Sistema e accessori	Codice materiale
Trolley	FIA500010
Maniglie di sollevamento	FIA500011
Lifting Gear	FIA500012
Attuatore per valvola	FIA500013
Pressure Safety Device	26787---PS
Unità di filtrazione Maxicaps® MR, monouso	FMR5xxxxx*

\* dipende dalla configurazione

## 1.2 Documenti di riferimento

- ▶ Oltre al presente manuale tenere in considerazione anche i seguenti documenti:
  - Manuale dell'apparecchio per test d'integrità, per es. Sartocheck® 5
  - Manuale per dispositivi di sollevamento TAWI (Flexsafe® STR Lifting Device)
  - Manuale dei connettori
  - Scheda tecnica di Maxicaps® MR

## 1.3 Destinatari

Il manuale si rivolge ai seguenti destinatari che devono possedere le conoscenze menzionate.

Destinatario	Conoscenze e qualifiche
Operatore	L'operatore conosce il sistema e le procedure di lavoro correlate. Conosce i pericoli che possono insorgere lavorando con il sistema ed è in grado di prevenirli.



## 1.4 Spiegazione dei simboli

### 1.4.1 Avvertenze nelle descrizioni delle azioni

---

#### **AVVERTENZA**

Questo simbolo segnala un pericolo che potrebbe causare lesioni gravi o mortali se **non** fosse evitato.

---

#### **ATTENZIONE**

Questo simbolo segnala un pericolo che potrebbe causare lesioni di media o lieve entità se **non** fosse evitato.

---

#### **AVVISO**

L'avviso segnala un pericolo che potrebbe causare danni materiali se **non** fosse evitato.

---

### 1.4.2 Ulteriori simboli utilizzati

- ▶ Istruzione operativa: descrive le attività che devono essere eseguite. Le attività in sequenza devono essere eseguite una dopo l'altra.
- ▷ Risultato: descrive il risultato delle attività eseguite.

#### **Illustrazioni in questo manuale**

In base alla configurazione del sistema, le illustrazioni contenute nel presente manuale possono differire leggermente rispetto a quelle del sistema fornito. Le varianti mostrate in questo manuale sono degli esempi.

## 2 Istruzioni di sicurezza

### 2.1 Uso previsto

Maxicaps® MR è un sistema per la filtrazione di liquidi a base acquosa e per l'esecuzione di test d'integrità di filtri. Il sistema è costituito dai componenti multiuso Trolley, maniglie di sollevamento e attuatori per valvola, nonché da un'unità di filtrazione monouso. L'unità di filtrazione monouso deve essere idonea per il sistema (unità di filtrazione consentite vedi capitolo 12.9, pagina 89):

Con il sistema **non** devono essere eseguiti i seguenti processi:

- Processi di filtrazione con agenti biologici della classe di sicurezza 3 o 4 (secondo la direttiva UE 2000/54/CE)
- Processi di filtrazione con sostanze pericolose secondo il decreto tedesco sulle sostanze pericolose (GefStoffV)

Il sistema è destinato ad essere usato solo in conformità a quanto descritto nel presente manuale. Qualsiasi altro uso è da considerarsi **non** conforme alla destinazione prevista.

#### Usi scorretti prevedibili

**Non** sono ammessi i seguenti utilizzi:

- Impiego per altri processi non esplicitamente approvati
- Impiego come ausilio di salita
- Impiego dell'unità di filtrazione monouso come superficie di appoggio
- Impiego del Trolley come carrello di trasporto
- Impiego del sistema per la filtrazione di gas (eccetto per test d'integrità di filtri)

#### Condizioni di utilizzo per il sistema

Il sistema **non** deve essere usato in ambienti a rischio di esplosione. Utilizzare il sistema solo all'interno di edifici.

Utilizzare il sistema solo con le dotazioni e nelle condizioni d'esercizio che sono descritte nei dati tecnici di questo manuale.

#### 2.1.1 Modifiche al sistema

Se il sistema viene modificato: ciò può essere fonte di rischio per le persone. I documenti specifici del sistema e le omologazioni del prodotto possono perdere la loro validità.

Per informazioni relative alle modifiche al sistema, rivolgersi a Sartorius.

## 2.1.2 Qualificazione del personale

Le persone che non dispongono di conoscenze sufficienti per utilizzare il sistema in modo sicuro possono ferire se stesse e altre persone.

Se per un'attività è richiesta una particolare qualifica: viene indicato il destinatario. Se **non** è indicata la qualifica: l'attività può essere svolta dal destinatario "Operatore".

## 2.2 Dispositivi di sicurezza

I dispositivi di sicurezza del sistema proteggono le persone che lavorano con esso contro i pericoli generati dal sistema stesso, per es. sovrappressione. Se i dispositivi di sicurezza del sistema vengono smontati o modificati: ciò può causare gravi lesioni alle persone.

- ▶ **Non** smontare, modificare o mettere fuori servizio i dispositivi di sicurezza (dispositivi di sicurezza vedi Kapitel 3.7, Seite capitolo 3.7, pagina 61).

## 2.3 Informazioni di sicurezza sul sistema

I simboli, per es. avvertenze, etichette adesive di sicurezza, sono delle informazioni di sicurezza per l'uso del sistema. Se le informazioni di sicurezza mancano o sono illeggibili, può succedere che **non** vengano osservate. Ciò può provocare lesioni a persone.

- ▶ **Non** coprire, rimuovere o alterare i simboli.
- ▶ Sostituire i simboli se sono illeggibili.

## 2.4 Accessori

L'uso di accessori non idonei può compromettere il funzionamento e la sicurezza e comportare:

- Rischi per le persone
- Danni, malfunzionamenti o guasti del sistema

- ▶ Utilizzare solo accessori approvati da Sartorius e sicuri, capitolo 9, pagina 85.

## 2.5 Attrezzature di protezione individuale

Le attrezzature di protezione individuale servono a proteggere contro i pericoli causati dal sistema Maxicaps® MR e dall'unità di filtrazione. Se le attrezzature di protezione individuale mancano o sono inadeguate per i processi di lavoro sul sistema: ciò può causare lesioni alle persone.

Le seguenti attrezzature di protezione individuale devono essere indossate:

- Abbigliamento antinfortunistico
- Guanti protettivi
- Occhiali protettivi
- Calzature antinfortunistiche

## 2.6 Danneggiamento dell'unità di filtrazione

Le unità di filtrazione si possono danneggiare se subiscono degli impatti, per es. in caso di caduta o urto. Delle unità di filtrazione danneggiate possono essere fonte di lesioni per le persone.

- ▶ **Non** utilizzare le unità di filtrazione dopo che hanno subito un impatto e smaltirle.

## 2.7 Peso elevato

L'unità di filtrazione ha un peso proprio elevato. Durante il sollevamento e trasporto delle unità di filtrazione sussiste il rischio di lesioni, per es. se l'unità di filtrazione cade.

- ▶ Chiedere l'aiuto di altre persone per sollevare e trasportare l'unità di filtrazione.
- ▶ Sartorius consiglia di utilizzare un dispositivo di sollevamento adeguato, per es. Lifting Gear Maxicaps® MR, per sollevare e trasportare l'unità di filtrazione.

## 2.8 Attrezzo di sollevamento

Se si utilizza un attrezzo di sollevamento per il trasporto dell'unità di filtrazione: le persone possono ferirsi gravemente se l'attrezzo di sollevamento viene utilizzato in modo scorretto, per es. se l'unità di filtrazione cade.

- ▶ Indossare le attrezzature di protezione individuale idonee.
- ▶ Fissare l'attrezzo di sollevamento nelle posizioni idonee (vedi capitolo "9 Transport", pagina 85).

## 2.9 Mezzi sotto pressione

Se il sistema viene sottoposto ad una pressione troppo alta, i tubi flessibili, la raccorderia o altri componenti del sistema possono staccarsi e causare lesioni alle persone.

- ▶ Indossare le attrezzature di protezione individuale idonee.
- ▶ **Non** superare la pressione d'esercizio massima (pressione d'esercizio massima vedi etichetta dell'unità di filtrazione).
- ▶ Utilizzare un dispositivo di monitoraggio della pressione.
- ▶ **Non** eseguire processi di trasferimento dei liquidi senza sorveglianza.

## 2.10 Spostamento accidentale del sistema

Se il Trolley si sposta accidentalmente: il Trolley può causare lesioni alle persone.

- ▶ Collocare il sistema esclusivamente su superfici piane.
- ▶ Azionare i 2 freni di stazionamento delle rotelle di trasporto.

## 2.11 Ribaltamento del sistema

Se il sistema si ribalta, le persone presenti possono ferirsi gravemente a causa del suo peso elevato.

- ▶ Quando l'unità di filtrazione è riempita o durante il processo di filtrazione: **non** muovere il Trolley.

## 3 Descrizione del sistema

### 3.1 Visione d'insieme del sistema

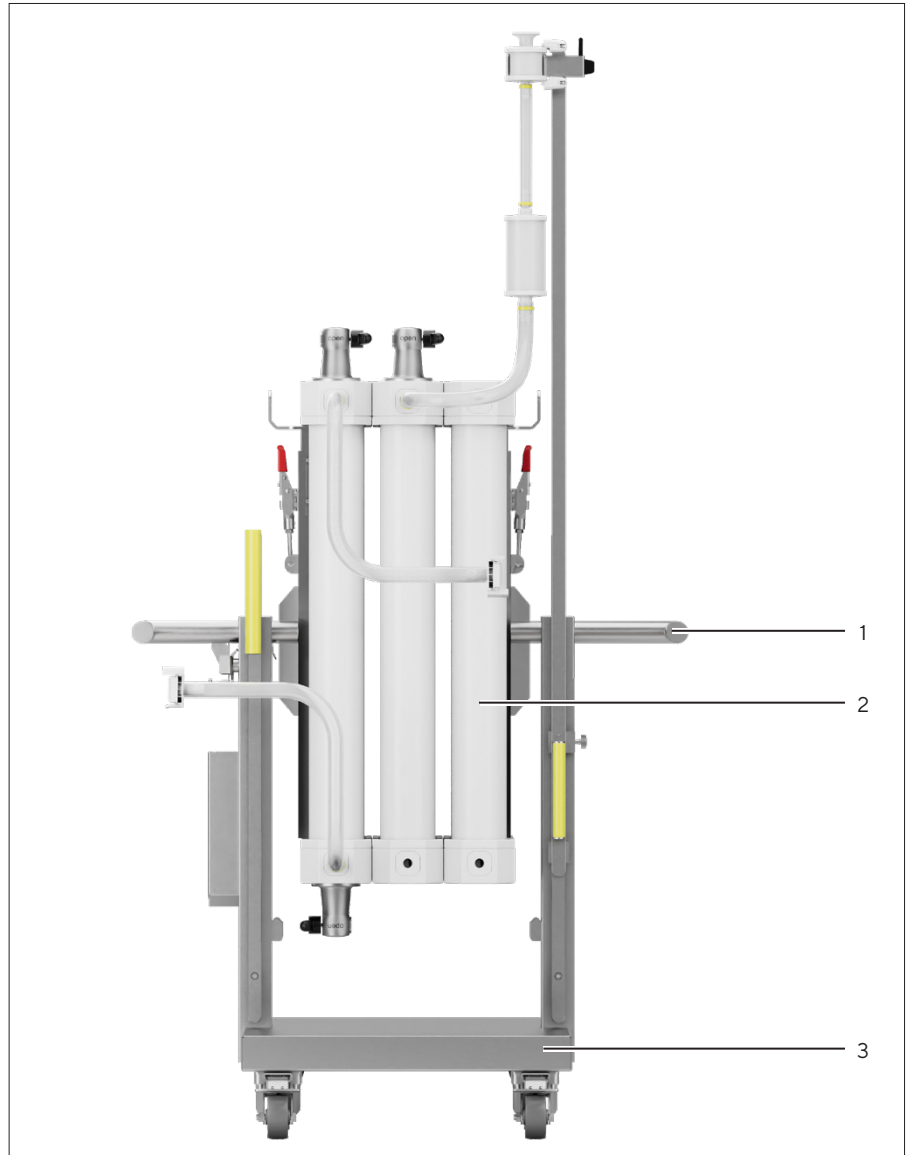


Fig.1: Sistema Maxicaps® MR

Pos.	Nome	Descrizione
1	Maniglia di sollevamento	Viene fissata all'unità di filtrazione.
2	Unità di filtrazione	
3	Trolley	

### 3.2 Trolley con maniglie di sollevamento

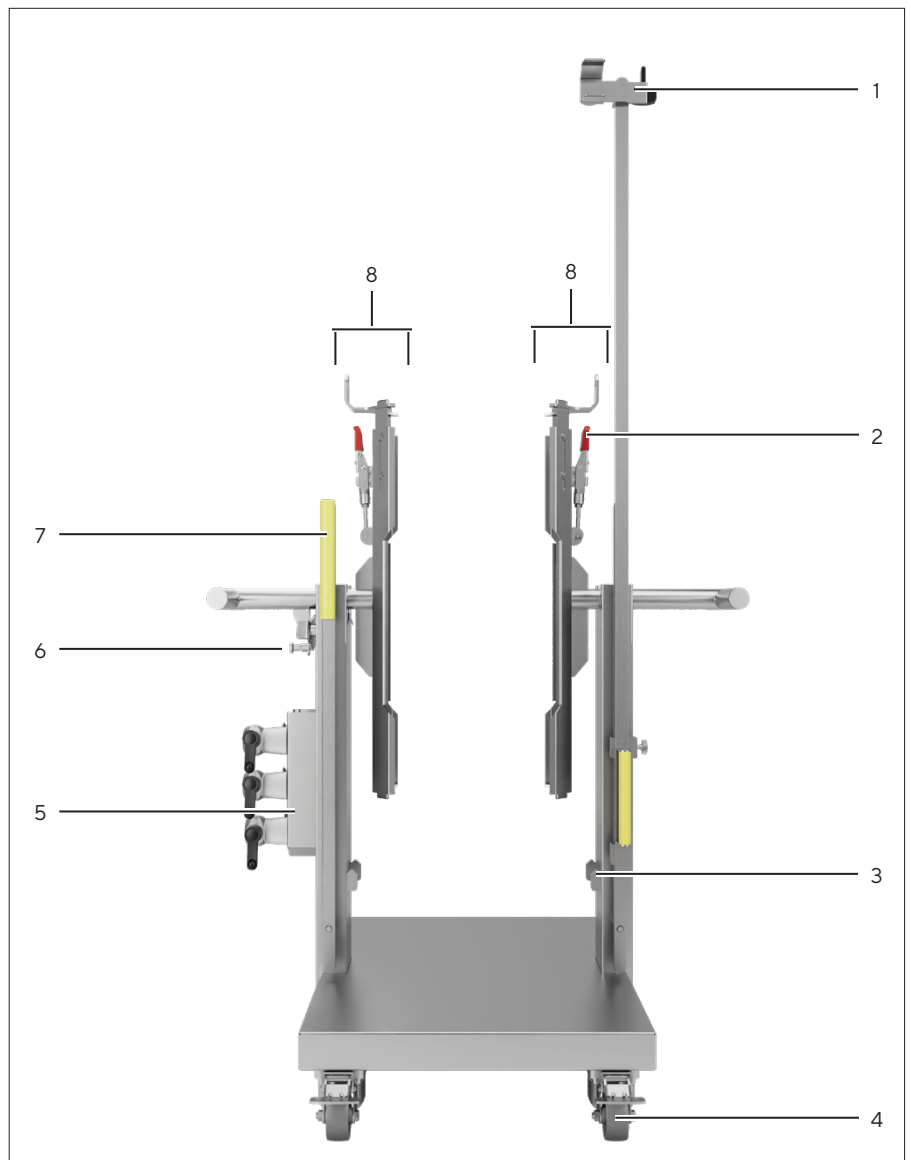


Fig.2: Trolley con maniglie di sollevamento agganciate

Pos.	Nome
1	Supporto per filtro dell'aria
2	Dispositivo di bloccaggio per unità di filtrazione
3	Supporto per maniglie di sollevamento
4	Rotella di trasporto
5	Supporto per attuatori per valvola
6	Dispositivo di bloccaggio per funzione di inclinazione
7	Maniglia del Trolley
8	Maniglia di sollevamento

### 3.3 Unità di filtrazione

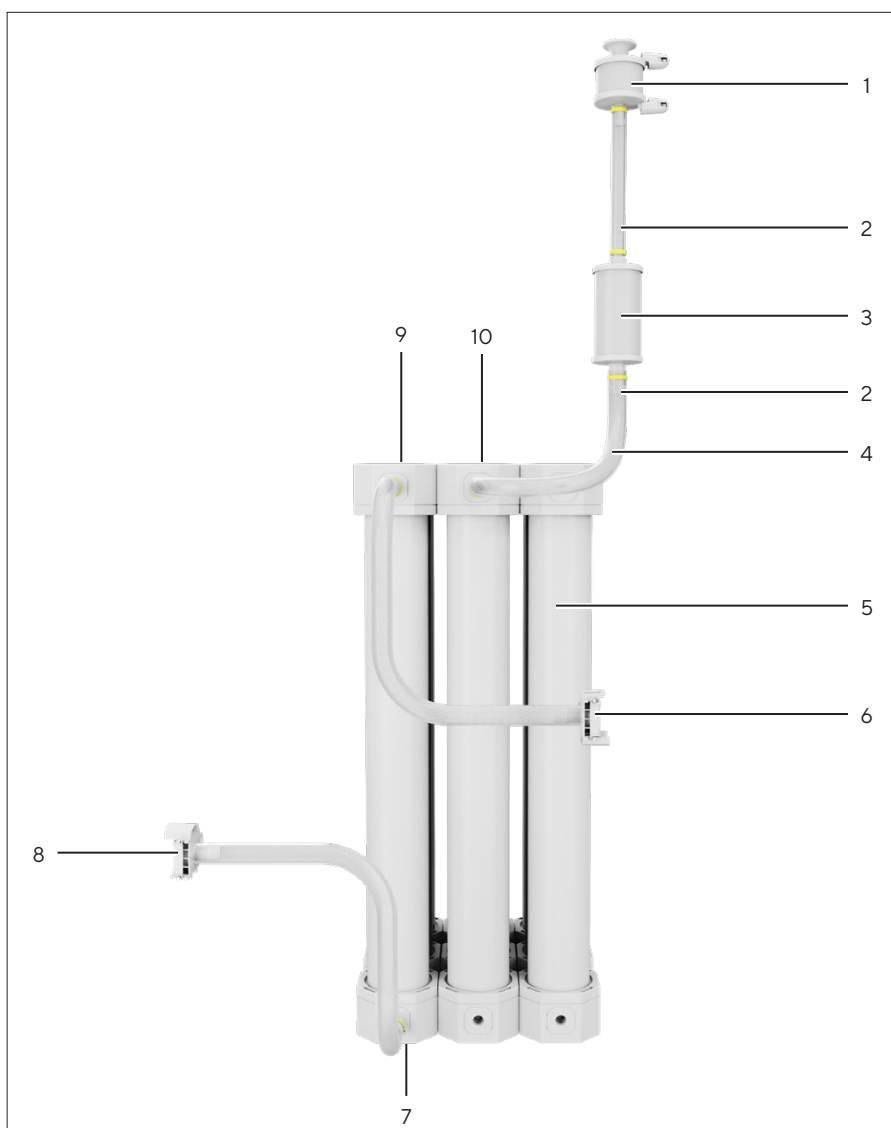


Fig. 3: Unità di filtrazione di 9 (esempio)

Pos.	Nome
1	Filtro dell'aria (Sartopore® Air)
2	Spia di livello (solo per la variante Advanced del set di tubi flessibili per sfiato)
3	Recipiente trasparente
4	Set di tubi flessibili per sfiato
5	Unità di filtrazione
6	Tubo flessibile Inlet con connettore (In)
7	Valvola Outlet
8	Tubo flessibile Outlet con connettore (Out)
9	Valvola Inlet
10	Valvola di sfiato



### 3.4 Etichetta dell'unità di filtrazione

L'etichetta dell'unità di filtrazione indica le pressioni di esercizio massime per l'Inlet e l'Outlet dell'unità di filtrazione e per il test d'integrità di filtri. I valori delle pressioni di esercizio massime dipendono dalla configurazione dell'unità di filtrazione.

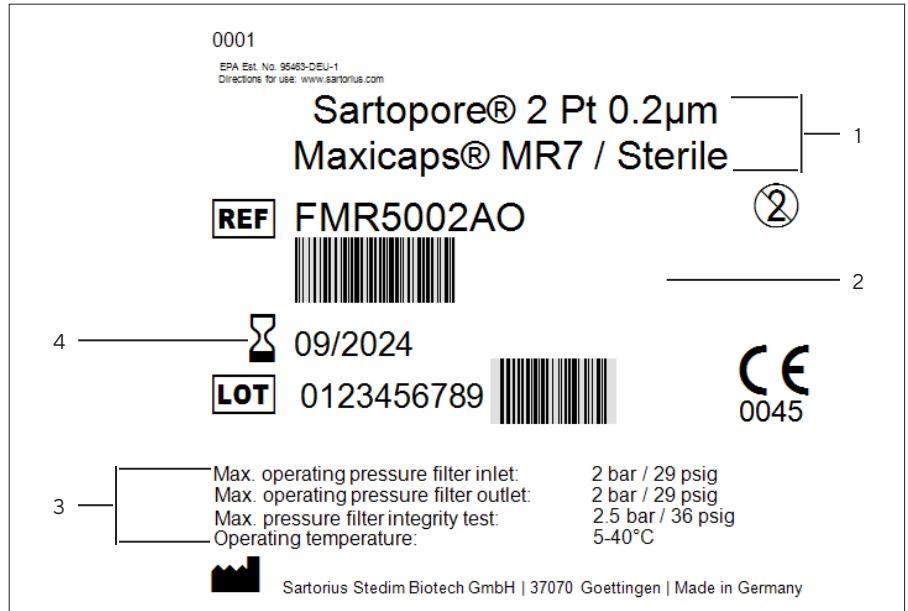


Fig.4: Esempio di etichetta dell'unità di filtrazione

Pos.	Nome
1	Informazioni sul prodotto
2	Indicazione di sterile (solo per la variante sterile)
3	Parametri operativi
4	Data di scadenza

### 3.5 Funzione di inclinazione

La funzione di inclinazione consente di inclinare l'unità di filtrazione. Si può usare la funzione di inclinazione per sfiatare e svuotare l'unità di filtrazione.

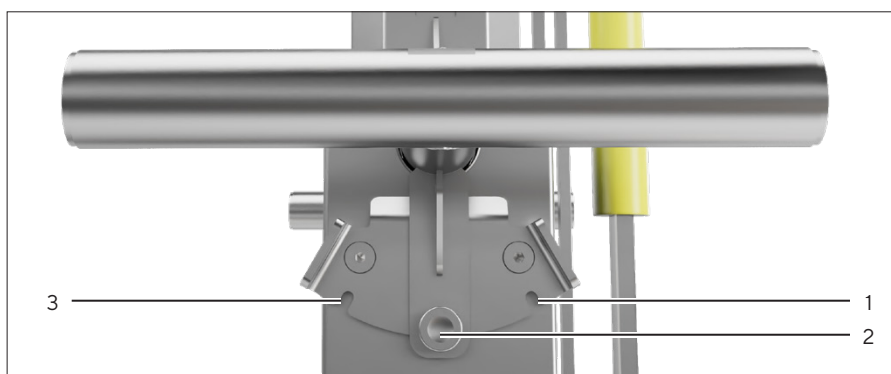


Fig. 5: Regolazioni della funzione di inclinazione

Pos.	Nome	Descrizione
1	Posizione di sfiato	L'unità di filtrazione è inclinata di ca. 30° verso sinistra.
2	Posizione di filtrazione	L'unità di filtrazione è in posizione verticale.
3	Posizione di svuotamento	L'unità di filtrazione è inclinata di ca. 30° verso destra.

### 3.6 Attuatori per valvola

I 3 attuatori per valvola servono ad aprire e chiudere le valvole dell'unità di filtrazione. Gli attuatori per valvola devono venire montati sull'unità di filtrazione.



Fig. 6: Attuatori per valvola

Pos.	Nome	Descrizione
1	Attuatore per valvola [open]	La leva dell'attuatore per valvola è rivolta verso [open]. La valvola dell'unità di filtrazione è aperta.
2	Attuatore per valvola [close]	La leva dell'attuatore per valvola è rivolta verso [close]. La valvola dell'unità di filtrazione è chiusa.
3	Dispositivo di bloccaggio per attuatore per valvola	Serve a fissare l'attuatore per valvola.

### 3.7 Dispositivi di sicurezza

Il Pressure Safety Device (sicurezza contro la pressione con disco di rottura) protegge il sistema durante un test d'integrità di filtri e durante l'operazione di svuotamento con aria compressa contro un danneggiamento causato da una sovrappressione di  $> 2,5 \text{ bar} + \text{tolleranza di sicurezza di } 0,5 \text{ bar}$ . Il Pressure Safety Device viene montato tra il filtro dell'aria e l'apparecchio per test d'integrità di filtri o l'attacco per aria compressa.



Fig. 7: Pressure Safety Device

Pos.	Nome
1	Attacco, per es. per l'apparecchio per test d'integrità di filtri o per il filtro dell'aria
2	Disco di rottura (incorporato all'interno)

### 3.8 Simboli sul sistema

Simbolo	Significato
<p style="text-align: center;"><b>SARTORIUS</b></p> <p>Attention!</p> <p>Check that sanitary clamps are fitted securely. If necessary, retighten clamps.</p> <p>Do not operate without installing valve drives.</p> <p>Do not exceed max. operating pressure or temperature.</p> <p>Use pressurized gas only with an installed pressure safety device.</p>	<p>Avvertenza</p> <p>Controllare che tutti i morsetti sanitari (solo per il set di tubi flessibili per sfiato Advanced) siano fissi e se necessario serrali.</p> <p><b>Non</b> utilizzare il sistema senza che gli attuatori per valvola siano installati.</p> <p><b>Non</b> superare il valore massimo della pressione d'esercizio e la temperatura.</p> <p>Utilizzare aria compressa solo se il Pressure Safety Device è montato.</p>
	<p>Lesioni alle mani: rischio di schiacciamento quando la leva della maniglia di sollevamento viene ruotata</p>

## 4 Installazione

### 4.1 Scegliere il luogo d'installazione

#### Procedura

- ▶ Verificare che le condizioni per l'installazione siano soddisfatte:

Condizione	Caratteristiche
Condizioni ambientali	Idoneità verificata (vedi capitolo 12.4, pagina 224)
Superficie di installazione	<ul style="list-style-type: none"> <li>– Stabile e piana</li> <li>– Assenza di vibrazioni</li> <li>– Dimensioni sufficienti per il sistema (ingombro dell'apparecchio vedi capitolo 12.2, pagina 223)</li> <li>– Capacità di carico sufficiente per il sistema anche a pieno carico (vedi capitolo 12.1, pagina 222)</li> </ul>

### 4.2 Disimballaggio

#### 4.2.1 Disimballare il Trolley e le maniglie di sollevamento

##### Presupposti

I 2 freni di stazionamento delle rotelle di trasporto sono attivati.

##### Procedura

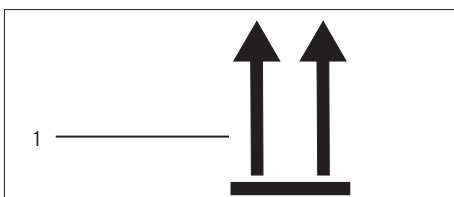
- ▶ Rimuovere l'imballaggio di trasporto.
- ▶ Smaltire l'imballaggio di trasporto secondo le normative nazionali vigenti.

#### 4.2.2 Disimballare l'unità di filtrazione Maxicaps® MR

Personale: 2 persone, operatori

##### Procedura

- ▶ Orientare la scatola in modo che le frecce (1) sulla scatola siano rivolte verso l'alto.
- ▶ Aprire la scatola dall'alto.
- ▶ Togliete il cartone di protezione antitaglio.



Operatori 1 e 2:

- ▶ **AVVISO** Rischio di danneggiamento dell'unità di filtrazione a causa di una manipolazione non corretta!
  - ▶ **Non** sollevare l'unità di filtrazione afferrando i tubi flessibili o le buste di plastica.
  - ▶ Afferrare l'unità di filtrazione solo dalla parte dell'housing del filtro per prelevarla dalla scatola.
- ▶ Appoggiare l'unità di filtrazione.
- ▶ Aprire e rimuovere la busta secondaria.
- ▶ Aprire e rimuovere la busta primaria.
- ▶ Smaltire l'imballaggio secondo le normative nazionali vigenti.

### 4.3 Posizionare e bloccare il Trolley sul luogo d'installazione

#### ⚠ ATTENZIONE

Rischio di schiacciamento durante l'azionamento del freno di stazionamento!

- ▶ Azionare il freno di stazionamento solo con il piede.
- ▶ Indossare le attrezzature di protezione individuale.

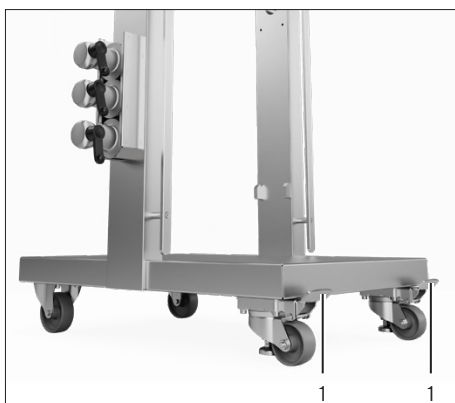
#### ⚠ ATTENZIONE

Rischio di schiacciamento delle parti del corpo quando si sposta il sistema a mano!

- ▶ **Non** collocare il sistema su superfici inclinate
- ▶ Indossare le attrezzature di protezione individuale.

#### Procedura

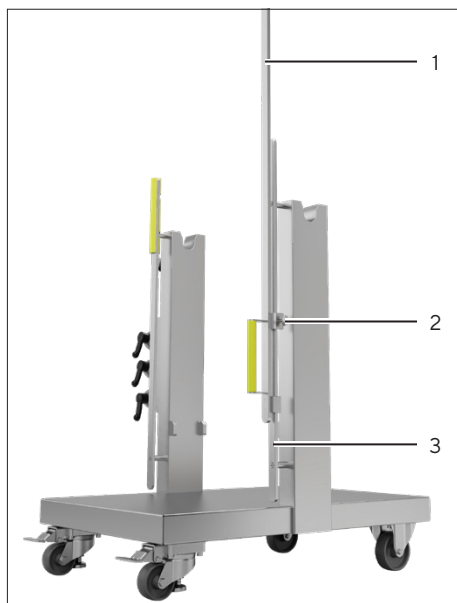
- ▶ Se il freno di stazionamento delle rotelle di trasporto è attivato: sbloccare il freno di stazionamento delle rotelle di trasporto. A tale scopo premere verso l'alto la leva (1) usando il piede.
- ▶ Posizionare il sistema nella posizione desiderata.
- ▶ Azionare il freno di stazionamento delle rotelle di trasporto. A tale scopo premere la leva verso il basso con il piede.
- ▶ Il Trolley è bloccato in posizione.



## 4.4 Montare l'estensione della guida del sistema

### Procedura

- ▶ Svitare la vite ad alette (2) posta sull'estensione della guida del sistema.
- ▶ Spingere dall'alto l'estensione della guida del sistema (1) sulla parte fissa della guida del sistema (3).
- ▶ Per fissare l'estensione della guida del sistema: avvitare la vite ad alette (2) posta sull'estensione della guida del sistema.

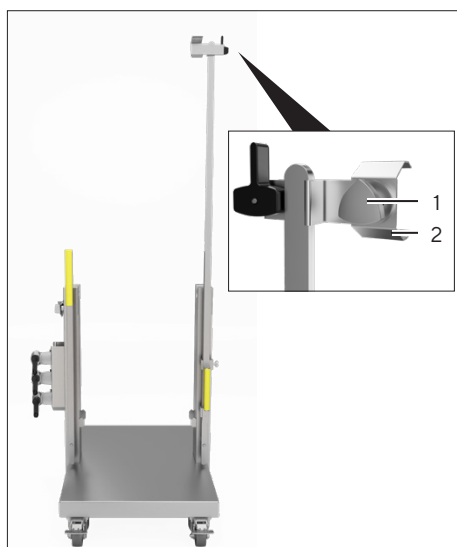


## 4.5 Regolare il supporto per filtro dell'aria

Il morsetto per filtro dell'aria che si trova sul supporto per filtro dell'aria deve essere ruotato una volta di 90° in modo che il filtro dell'aria possa essere fissato in posizione verticale.

### Procedura

- ▶ Allentare la vite a manopola (1) del morsetto per filtro dell'aria.
- ▶ Ruotare il morsetto per filtro dell'aria (2) di 90°.
- ▶ Serrare la vite a manopola del morsetto per filtro dell'aria.





## 5 Preparazione del processo

### 5.1 Montare Maxicaps® MR

Il montaggio viene mostrato prendendo come esempio un elemento filtrante composto di 9 unità di filtrazione (MR9).

#### 5.1.1 Montare le maniglie di sollevamento sull'unità di filtrazione

A seconda della configurazione dell'unità di filtrazione (MR2 - MR9), le maniglie di sollevamento devono essere applicate in diverse posizioni. Una marcatura colorata presente sulle maniglie di sollevamento e sull'unità di filtrazione indica la corretta posizione.

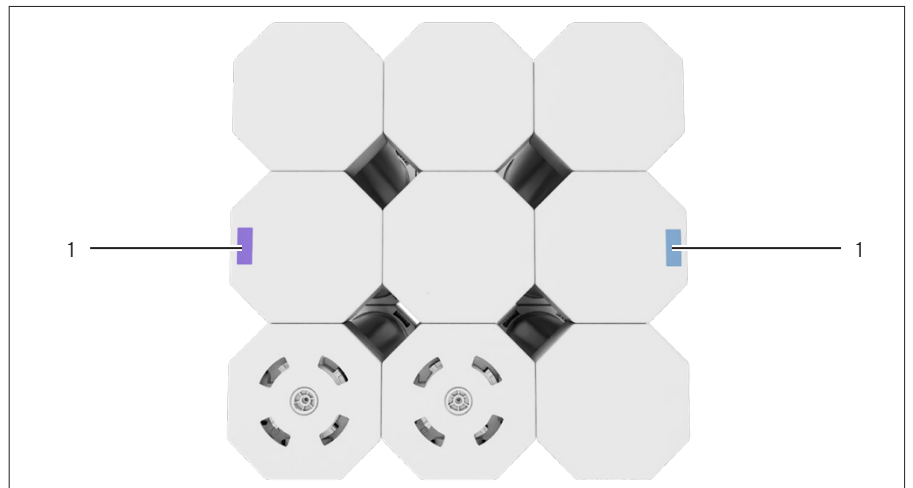


Fig.8: Marcatura colorata sull'unità di filtrazione - vista dall'alto

Pos.	Nome	Descrizione
1	Marcatura colorata sull'unità di filtrazione	<ul style="list-style-type: none"> <li>Indica la corretta posizione per il montaggio delle maniglie di sollevamento.</li> <li>La marcatura colorata delle maniglie di sollevamento deve essere corrispondente alla marcatura colorata sull'unità di filtrazione.</li> </ul>

Personale: 2 persone, operatori

#### Presupposti

L'unità di filtrazione è disimballata.

## Procedura

- ▶ Mettere l'unità di filtrazione in posizione verticale.
- ▷ Il set di tubi flessibili Inlet e quello di sfiato si trovano in alto. La freccia dell'indicazione della portata presente sull'unità di filtrazione è rivolta verso il fondo.

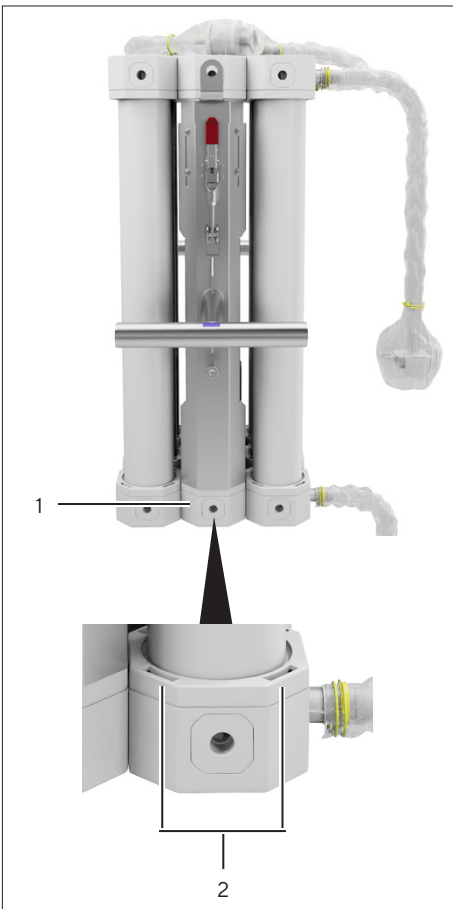


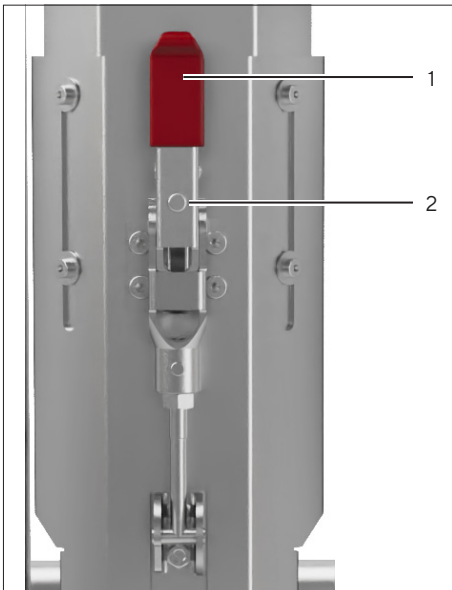
Operatore 1:

- ▶ Tenere ferma l'unità di filtrazione.

Operatore 2:

- ▶ Per installare la maniglia di sollevamento con la marcatura di colore lilla:
  - ▶ Scegliere l'unità di filtrazione con la marcatura di colore lilla.
  - ▶ Inserire la maniglia di sollevamento nelle scanalature (2) dell'Outlet Plate (1).





- ▶ **⚠ ATTENZIONE** Rischio di schiacciamento delle dita ruotando la leva (1)! Premere il fermo (2) della maniglia e ruotare con attenzione la leva verso il basso.
- ▶ Posizionare la maniglia di sollevamento a filo dell'elemento filtrante.
- ▶ Ruotare la leva (1) verso l'alto.
- ▷ Il fermo (2) s'innesta.
- ▶ Se non è possibile montare la maniglia di sollevamento o lo è solo esercitando una forte pressione, controllare la posizione della maniglia di sollevamento e regolarla se necessario.
  
- ▶ Montare la maniglia di sollevamento con la marcatura di colore turchese seguendo la stessa procedura.

## 5.1.2 Montare l'unità di filtrazione sul Trolley senza usare il Flexsafe® STR Lifting Device

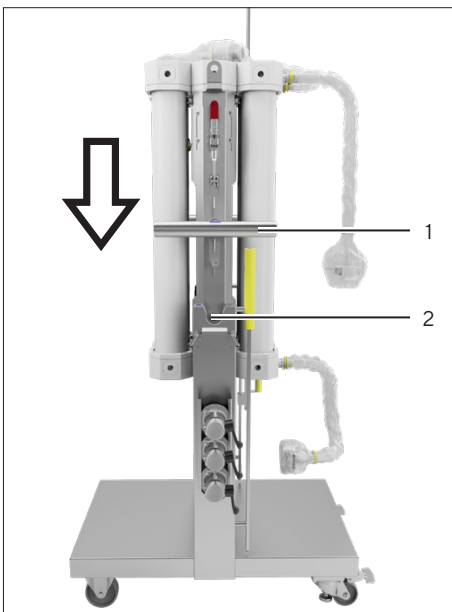
Personale: 2 persone, operatori

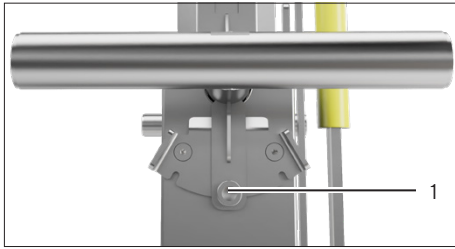
### Presupposti

Le maniglie di sollevamento sono montate sull'unità di filtrazione.

### Procedura

- ▶ Orientare l'elemento filtrante munito di maniglie di sollevamento in modo che la marcatura colorata sulla maniglia di sollevamento sia corrispondente alla marcatura colorata sul Trolley.
- ▶ Alzare l'elemento filtrante per mezzo delle maniglie di sollevamento (1) e inserirlo negli incavi (2) del Trolley.



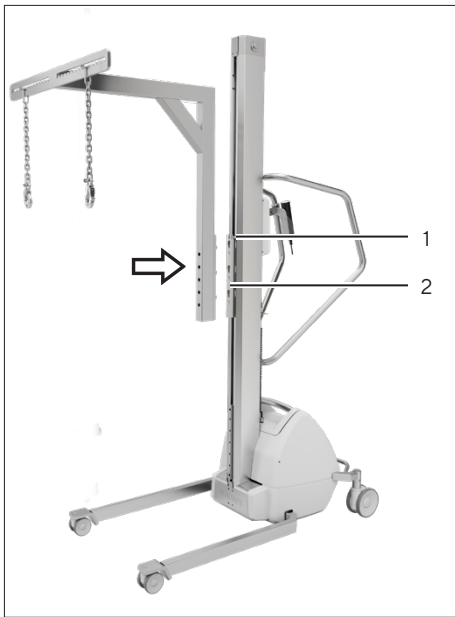


- ▶ Verificare che il dispositivo di bloccaggio per la funzione di inclinazione sia innestato nella posizione di filtrazione (1).

### 5.1.3 Installare il Lifting Gear sul Flexsafe® STR Lifting Device

#### Procedura

- ▶ Inserire il Lifting Gear nell'elemento di giunzione (2) del Flexsafe® STR Lifting Device.
- ▶ Controllare che il perno di sicurezza (1) si sia innestato.



### 5.1.4 Montare l'unità di filtrazione sul Trolley usando il Flexsafe® STR Lifting Device

Personale: 2 persone, operatori

Materiale: Lifting Gear Maxicaps® MR e Flexsafe® STR Lifting Device



Fig. 9: Lifting Gear

Pos.	Nome	Descrizione
1	Gancio	Serve a fissare il Lifting Gear ai punti di aggancio dell'unità di filtrazione.
2	Area di regolazione	Serve a regolare in base alla larghezza dell'unità di filtrazione.

#### Presupposti

- Le maniglie di sollevamento sono montate sull'unità di filtrazione.
- Il Trolley è posizionato in modo che la guida del sistema con supporto per filtro dell'aria sia orientata all'indietro.
- I freni di stazionamento sono attivati.

#### **⚠ AVVERTENZA**

**Rischio di lesioni in caso di caduta di componenti del sistema!**

- ▶ Attenersi alla procedura di montaggio.

#### **⚠ AVVERTENZA**

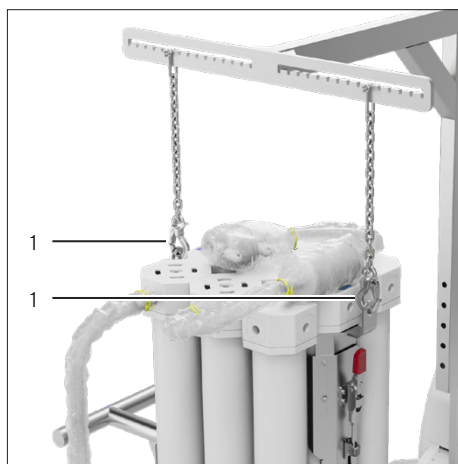
**Rischio di lesioni in caso di ribaltamento del Flexsafe® STR Lifting Device!**

Se la capacità di carico massima viene superata, il Flexsafe® STR Lifting Device può ribaltarsi. Ne possono derivare lesioni alle persone.

- ▶ Rispettare la capacità di carico massima del Flexsafe® STR Lifting Device (vedi lo schema del carico massimo del Flexsafe® STR Lifting Device).

## Procedura

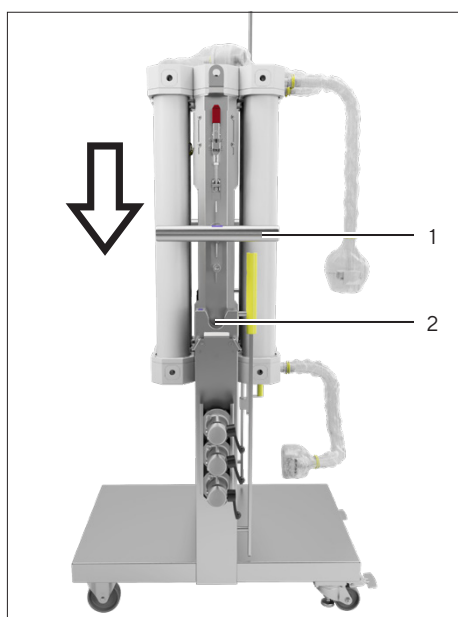
- ▶ Orientare davanti al Trolley l'elemento filtrante munito di maniglie di sollevamento in modo che la marcatura colorata della maniglia di sollevamento sia corrispondente alla marcatura colorata del Trolley.
- ▶ Posizionare il Flexsafe® STR Lifting Device sopra l'unità di filtrazione.
- ▶ **⚠ AVVERTENZA** Rischio di lesioni in caso di caduta dell'unità di filtrazione! Agganciare i 2 ganci del Lifting Gear unicamente nei 2 punti di aggancio (golfari) (1) delle maniglie di sollevamento.

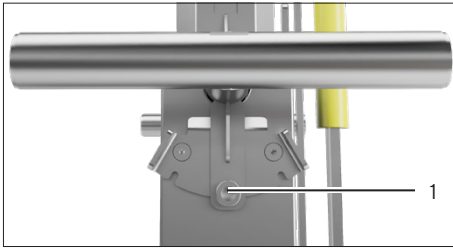


- ▶ Regolare il Lifting Gear in base alla larghezza dell'unità di filtrazione. A tale scopo spostare la catena in una tacca idonea nell'area di regolazione del Lifting Gear.
- ▶ Consiglio: spostare le catene nelle tacche in modo che la loro distanza rispetto al centro sia il più possibile uguale.
- ▶ Sollevare verso l'alto l'unità di filtrazione per mezzo del Flexsafe® STR Lifting Device.
- ▶ Accostare il Flexsafe® STR Lifting Device al Trolley e posizionarlo sopra il Trolley.



- ▶ Abbassare lentamente l'unità di filtrazione. Introdurre le 2 maniglie di sollevamento (1) negli incavi (2) del Trolley.





- ▶ Fissare il dispositivo di bloccaggio per la funzione di inclinazione nella posizione di filtrazione (1).

- ▶ Sganciare i 2 ganci del Lifting Gear dai punti di aggancio dell'unità di filtrazione.

## 5.2 Montare gli attuatori per valvola

Sull'unità di filtrazione vengono montati 3 attuatori per valvola:

- L'attuatore per valvola Inlet sulla parte superiore dell'unità di filtrazione apre e chiude la valvola Inlet.
- L'attuatore per valvola di sfiato sulla parte superiore dell'unità di filtrazione apre e chiude la valvola di sfiato.
- L'attuatore per valvola Outlet sulla parte inferiore dell'unità di filtrazione apre e chiude la valvola Outlet.

### AVVISO

**Danneggiamento della valvola interna dell'unità di filtrazione qualora l'attuatore per valvola venga montato più volte!**

- ▶ Montare l'attuatore per valvola per un massimo di 3 volte sullo stesso elemento filtrante.

### Presupposto

I 3 attuatori per valvola sono nella posizione [open].

### Procedura

- ▶ Prelevare i 3 attuatori per valvola dal supporto valvole.

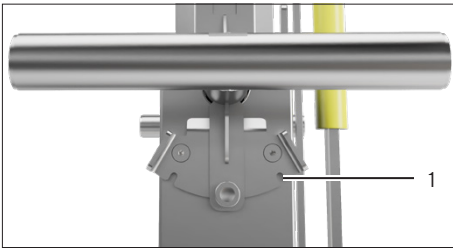
### Elemento filtrante con set di tubi flessibili per sfiato

- ▶ Per montare l'attuatore per valvola di sfiato sulla parte superiore dell'elemento filtrante:
  - ▶ Tirare verso l'alto il dispositivo di bloccaggio (1) dell'attuatore per valvola e applicare l'attuatore per valvola sulla parte superiore dell'unità di filtrazione.
  - ▶ Ruotare l'attuatore per valvola in senso orario fino a quando il dispositivo di bloccaggio s'innesta.
- ▶ Verificare che l'attuatore per valvola sia montato correttamente. L'attuatore per valvola **non** deve essere ruotabile in senso antiorario.
  - ▶ Se necessario: montare di nuovo l'attuatore per valvola.
- ▶ Chiudere una volta l'attuatore per valvola e riaprirlo.
- ▶ L'attuatore per valvola si connette con la membrana della valvola.



**Elemento filtrante con tubo flessibile Inlet e Outlet:**

- ▶ Per montare l'attuatore per valvola Inlet sulla parte superiore dell'elemento filtrante:
  - ▶ Tirare verso l'alto il dispositivo di bloccaggio dell'attuatore per valvola e applicare l'attuatore per valvola sulla parte superiore dell'unità di filtrazione.
  - ▶ Ruotare l'attuatore per valvola in senso orario fino a quando il dispositivo di bloccaggio s'innesta.
- ▶ Verificare che l'attuatore per valvola sia montato correttamente. L'attuatore per valvola **non** deve essere ruotabile in senso antiorario.
  - ▶ Se necessario: montare di nuovo l'attuatore per valvola.
- ▶ Chiudere una volta l'attuatore per valvola e riaprirlo.
- ▷ L'attuatore per valvola si connette con la membrana della valvola.
- ▶ Opzionale: per poter accedere più facilmente alla valvola Outlet, mettere l'unità di filtrazione nella posizione di sfiato (1) usando la funzione di inclinazione.
- ▶ Per montare l'attuatore per valvola Outlet sulla parte inferiore dell'unità di filtrazione, seguire la stessa procedura come per l'attuatore per valvola Inlet e di sfiato.





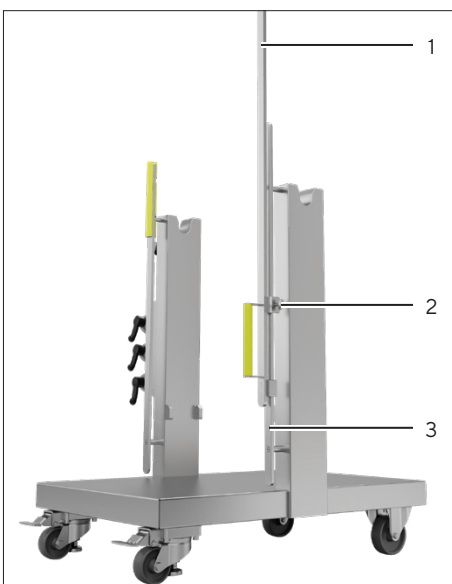
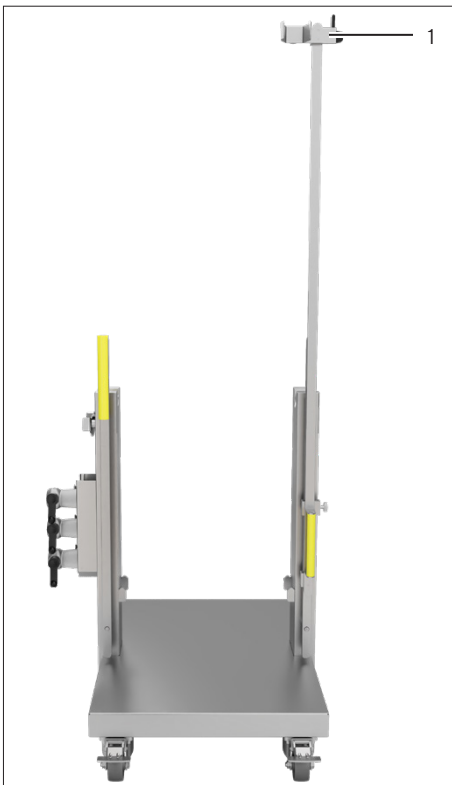
## 5.3 Montare il filtro dell'aria

### Presupposto

Il supporto per filtro dell'aria è regolato in modo che il filtro dell'aria possa essere montato in verticale (vedi capitolo "4.5 Regolare il supporto per filtro dell'aria", pagina 200).

### Procedura

- ▶ Prelevare dalla busta di plastica il tubo flessibile insieme al filtro dell'aria e togliere le fascette fissacavo.
- ▶ Controllare che i morsetti sul tubo flessibile di sfiato siano fissi.
  - ▶ Se necessario: serrare i morsetti.
- ▶ Fissare il filtro dell'aria nel supporto per filtro dell'aria (1).



- ▶ Per regolare la guida del sistema ad un'altezza idonea:
  - ▶ Svitare la vite ad alette (2) posta sull'estensione della guida del sistema.
  - ▶ Spingere verso l'alto l'estensione della guida del sistema (1) usando la maniglia (3).
  - ▶ Una volta raggiunta la posizione desiderata, serrare la vite ad alette (2).
- ▶ Verificare che il set di tubi flessibili per sfiato **non** sia piegato e **non** penzoli.
  - ▶ Se necessario: correggere l'altezza della guida del sistema.

## 6 Funzionamento

### 6.1 Riempire e sfiatare l'unità di filtrazione

#### Presupposti

- L'unità di filtrazione è nella posizione di filtrazione.
- Il filtro dell'aria è fissato nel supporto per filtro dell'aria.
- Gli attuatori per valvola sono montati.

#### **⚠ ATTENZIONE**

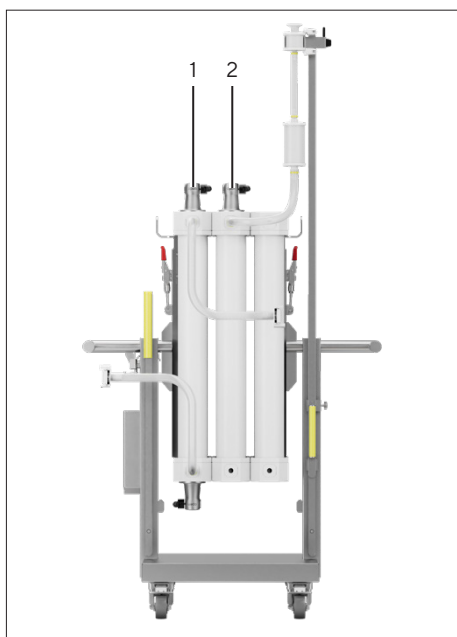
##### Rischio di lesioni dovuto alla fuoriuscita di liquido!

Se i tubi flessibili si staccano o se ci sono delle perdite sui punti di raccordo, può fuoriuscire del liquido. Ne possono derivare lesioni alle persone.

- ▶ Rispettare le pressioni d'esercizio massime (vedi le specifiche sull'etichetta dell'unità di filtrazione).
- ▶ Se si utilizza un set di tubi flessibili per sfiato Advanced: verificare che le connessioni Tri-clamp siano fisse e se necessario serrarle.
- ▶ Utilizzare uno strumento di misura per monitorare la pressione.
- ▶ **Non** lasciare il processo senza sorveglianza.

#### Procedura

- ▶ Mettere tutti gli attuatori per valvola nella posizione [close].
- ▶ Prelevare dalla busta di plastica il tubo flessibile Inlet e togliere le fascette fissacavo.
- ▶ Collegare il tubo flessibile Inlet (per il collegamento vedi il manuale dei connettori).
- ▶ Prelevare dalla busta di plastica il tubo flessibile Outlet e togliere le fascette fissacavo.
- ▶ Collegare il tubo flessibile Outlet (per il collegamento vedi il manuale dei connettori).
- ▶ Mettere l'attuatore per valvola Inlet (1) e l'attuatore per valvola di sfiato (2) nella posizione [open].
- ▶ Avviare l'operazione di riempimento. Durante questa operazione rispettare il flusso volumetrico massimo di 5 L/min.
- ▶ L'unità di filtrazione viene riempita.
- ▶ **AVVISO** Rischio di ostruzione del filtro dell'aria se viene a contatto con liquido o schiuma! Se il recipiente trasparente inizia a riempirsi di liquido o schiuma: arrestare il flusso volumetrico.
- ▶ Inclinare lentamente l'unità filtrazione avanti e indietro più volte usando la funzione di inclinazione.
- ▶ Se necessario: correggere in altezza la guida del sistema munita di supporto per filtro dell'aria per evitare che il tubo flessibile per sfiato si pieghi.
- ▶ L'aria residua fuoriesce dal filtro dell'aria.



- ▶ Se il liquido nel recipiente trasparente scende sensibilmente:
  - ▶ Raboccare con flusso volumetrico ridotto.
  - ▶ Se il recipiente trasparente inizia a riempirsi di liquido o schiuma: arrestare il flusso volumetrico.
- ▶ Mettere l'attuatore per valvola Inlet nella posizione [close].
- ▶ Mettere l'attuatore per valvola di sfiato nella posizione [close].
- ▶ L'unità di filtrazione è riempita e sfiatata.

## 6.2 Flussare l'unità di filtrazione

### Presupposti

L'unità di filtrazione è riempita e sfiatata.

---

### ATTENZIONE

#### Rischio di lesioni dovuto alla fuoriuscita di liquido!

Se i tubi flessibili si staccano o se ci sono delle perdite sui punti di raccordo, può fuoriuscire del liquido. Ne possono derivare lesioni alle persone.

- ▶ Rispettare le pressioni d'esercizio massime (vedi le specifiche sull'unità di filtrazione).
  - ▶ Se si utilizza un set di tubi flessibili per sfiato Advanced: verificare che le connessioni Tri-clamp siano fisse e se necessario serrarle.
  - ▶ Utilizzare uno strumento di misura per monitorare la pressione.
  - ▶ **Non** lasciare il processo senza sorveglianza.
- 

### Procedura

- ▶ Avviare il flussaggio:
  - ▶ Mettere l'attuatore per valvola Inlet e l'attuatore per valvola Outlet nella posizione [open].
  - ▶ Avviare il flusso volumetrico.
- ▶ Per terminare il flussaggio:
  - ▶ Arrestare il flusso volumetrico.
  - ▶ Mettere l'attuatore per valvola Inlet e l'attuatore per valvola Outlet nella posizione [close].

## 6.3 Eseguire la filtrazione

### Presupposto

- L'unità di filtrazione è completamente sfiatata.
- Opzionale: è stato eseguito un test d'integrità di filtri.
- Il tubo flessibile Inlet e Outlet è collegato.

---

### ATTENZIONE

#### Rischio di lesioni dovuto alla fuoriuscita di liquido!

Se i tubi flessibili si staccano o se ci sono delle perdite sui punti di raccordo, può fuoriuscire del liquido. Ne possono derivare lesioni alle persone.

- ▶ Rispettare le pressioni d'esercizio massime (vedi le specifiche sull'unità di filtrazione).
  - ▶ Se si utilizza un set di tubi flessibili per sfiato Advanced: verificare che le connessioni Tri-clamp siano fisse e se necessario serrarle.
  - ▶ Utilizzare uno strumento di misura per monitorare la pressione, per es. i Sartorius Sensor Transfer Sets.
  - ▶ **Non** lasciare il processo senza sorveglianza.
- 

### Procedura

- ▶ Per avviare il processo di filtrazione:
  - ▶ Verificare che l'attuatore per valvola di sfiato sia nella posizione [close].
  - ▶ Mettere l'attuatore per valvola Inlet nella posizione [open].
  - ▶ Mettere l'attuatore per valvola Outlet nella posizione [open].
  - ▶ Avviare il flusso volumetrico di filtrazione.
  - ▶ Avviare il processo di filtrazione.
  
- ▶ Per terminare il processo di filtrazione:
  - ▶ Arrestare il flusso volumetrico di filtrazione.
  - ▶ Mettere l'attuatore per valvola Inlet e l'attuatore per valvola Outlet nella posizione [close].

## 6.4 Eseguire un test d'integrità di filtri

Un test d'integrità di filtri può essere eseguito prima o dopo un'operazione di filtrazione: i valori limite del test d'integrità di filtri, nonché i parametri di test sono indicati nella scheda tecnica di Maxicaps MR.

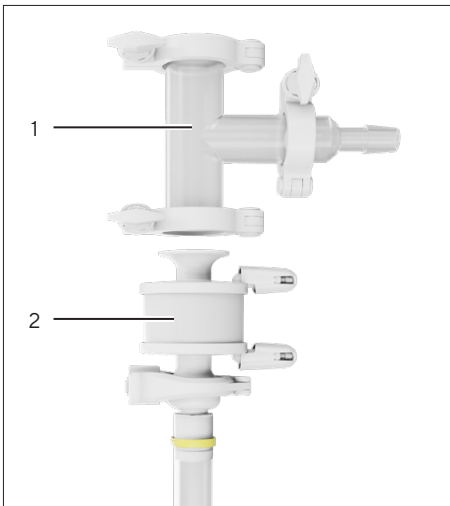
- Materiale:
- Pressure Safety Device
  - Tri-clamp ½"
  - Apparecchio per test d'integrità di filtri, per es. Sartocheck 5
  - Se necessario: serbatoio di riferimento esterno (volume netto > 13 L)

### Presupposto

- L'unità di filtrazione è idonea per un test d'integrità di filtri.
- Il tubo flessibile Outlet è privo di pressione.

### Procedura

- ▶ Verificare che tutti i 3 attuatori per valvola siano nella posizione [close].
- ▶ Spingere verso il basso l'estensione della guida del sistema munita di supporto per filtro dell'aria e togliere il filtro dell'aria.
- ▶ Connettere il filtro dell'aria (2) e il Pressure Safety Device (1) usando il Tri-clamp.
- ▶ Connettere l'apparecchio per test d'integrità di filtri al Pressure Safety Device.
- ▶ Fissare il recipiente trasparente nel supporto per filtri.
- ▶ Verificare che **nessun** tubo flessibile sia piegato.
- ▶ Portare l'unità di filtrazione nella posizione di svuotamento.
- ▶ Mettere l'attuatore per valvola di sfiato e l'attuatore per valvola Outlet nella posizione [open].
- ▶ Definire i parametri nell'apparecchio per test d'integrità di filtri (parametri vedi capitolo 12.5, pagina 224).
- ▶ Avviare il programma di diffusione dell'apparecchio per test d'integrità di filtri (vedi il manuale dell'apparecchio per test d'integrità di filtri).
- ▷ L'unità di filtrazione si svuota.
- ▶ Quando il test d'integrità di filtri è terminato:
  - ▶ Mettere l'attuatore per valvola di sfiato nella posizione [close].
  - ▶ Mettere l'attuatore per valvola Outlet nella posizione [close].
- ▶ Disinstallare l'apparecchio per test d'integrità di filtri dal Pressure Safety Device.
- ▶ Disinstallare il Safety Pressure Device dal filtro dell'aria e conservarlo.



## 6.5 Svuotare l'unità di filtrazione

### 6.5.1 Svuotare l'unità di filtrazione in modo gravimetrico

#### Presupposti

- Il processo di filtrazione è terminato.
- Il sistema **non** è sotto pressione.

#### Procedura

- ▶ Portare l'unità di filtrazione nella posizione di svuotamento.
- ▶ Se necessario: correggere in altezza la guida del sistema munita di supporto per filtro dell'aria per evitare che il tubo flessibile per sfiato si pieghi.
- ▶ Mettere l'attuatore per valvola di sfiato nella posizione [open].
- ▶ Mettere l'attuatore per valvola Outlet nella posizione [open].
- ▷ L'unità di filtrazione si svuota.
- ▶ Quando non fuoriesce più del liquido dall'unità di filtrazione: mettere l'attuatore per valvola Outlet e l'attuatore per valvola di sfiato nella posizione [close].

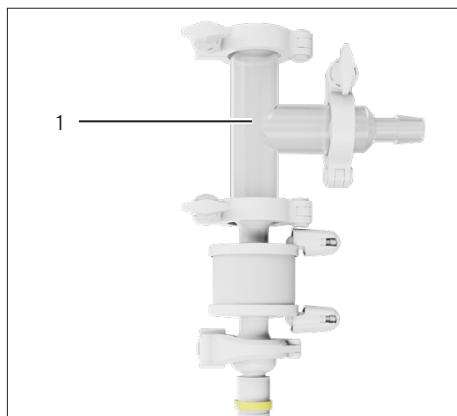
## 6.5.2 Svotare l'unità di filtrazione con aria compressa

### Presupposti

- Il processo di filtrazione è terminato.
- Il sistema **non** è sotto pressione.

### Procedura

- ▶ Spingere verso il basso l'estensione della guida del sistema munita di supporto per filtro dell'aria e togliere il filtro dell'aria.
- ▶ Connettere il filtro dell'aria e il Pressure Safety Device usando il Tri-clamp.
- ▶ Collegare l'alimentazione di aria compressa al Pressure Safety Device (1).
- ▶ Verificare che l'attuatore per valvola Inlet sia nella posizione [close].
- ▶ Portare l'unità di filtrazione nella posizione di svuotamento.
- ▶ Mettere l'attuatore per valvola Outlet nella posizione [open].
- ▶ Assicurarsi che il tubo flessibile per sfiato **non** sia piegato.
- ▶ Pressurizzare il sistema fino a un massimo di 0,5 bar.
- ▶ Monitorare l'operazione di pressurizzazione durante l'operazione di svuotamento.
- ▷ L'unità di filtrazione si svuota.
- ▶ Quando non fuoriesce più del liquido dall'unità di filtrazione:
  - ▶ Chiudere l'alimentazione di aria compressa.
  - ▶ Mettere l'attuatore per valvola di sfiato nella posizione [close].
  - ▶ Mettere l'attuatore per valvola Outlet nella posizione [close].



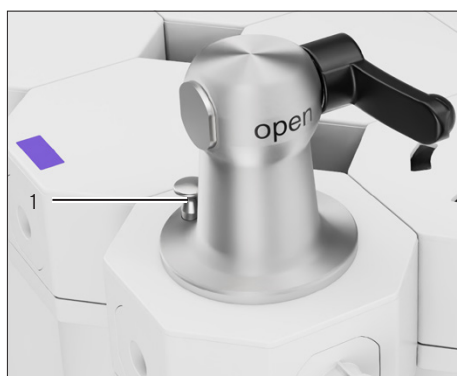
## 6.6 Scollegare i raccordi e gli attuatori per valvola dall'unità di filtrazione

### Presupposti

- Il processo di filtrazione è terminato.
- L'unità di filtrazione è svuotata.
- Il sistema **non** è sotto pressione.

### Procedura

- ▶ Mettere tutti i 3 attuatori per valvola nella posizione [open].
- ▶ Separare il tubo flessibile Inlet e quello Outlet, per es. con un Clipster® o BioSealer®.
- ▶ Sbloccare i 3 attuatori per valvola. A tale scopo alzare il dispositivo di bloccaggio (1), ruotare l'attuatore per valvola in senso antiorario e toglierlo.
- ▶ Conservare i 3 attuatori per valvola nel supporto valvole che si trova sul Trolley.



## 6.7 Montare l'unità di filtrazione e le maniglie di spostamento senza usare il Flexsafe® STR Lifting Device

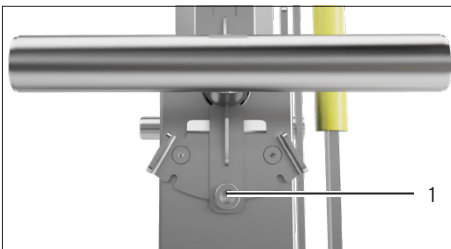
Personale: 2 persone, operatori

### Presupposti

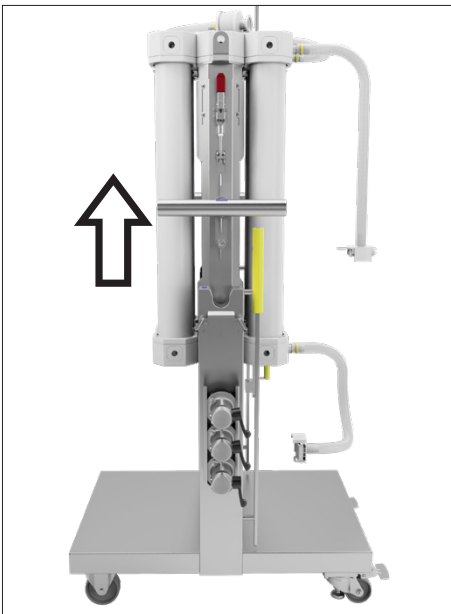
- Il filtro dell'aria **non** si trova nel supporto filtro dell'aria.
- I raccordi e gli attuatori per valvola sono scollegati dall'unità di filtrazione.
- L'unità di filtrazione è nella posizione di filtrazione.

### Procedura

- ▶ Sbloccare il dispositivo di bloccaggio (1) per la funzione di inclinazione.

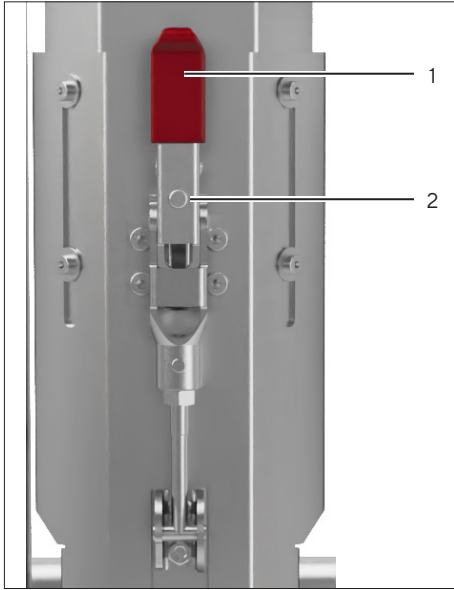


- ▶ Rimuovere l'elemento filtrante dal supporto del Trolley alzandolo verso l'alto usando le due maniglie di sollevamento e posarlo con cautela.



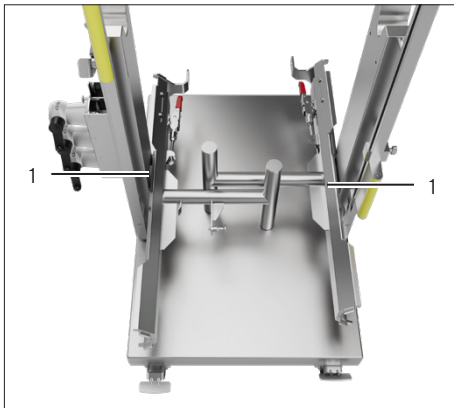
Operatore 1:

- ▶ Tenere ferma l'unità di filtrazione.



Operatore 2:

- ▶ **⚠ ATTENZIONE** Rischio di schiacciamento delle dita ruotando la leva (1)! Premere il fermo (2) della maniglia e ruotare con attenzione la leva verso il basso.
- ▶ Rimuovere la maniglia di sollevamento alzandola con cautela verso l'alto e posarla.
- ▶ Ruotare la leva (1) verso l'alto.
- ▶ Il fermo di sicurezza (2) s'innesta.
- ▶ Smontare la seconda maniglia seguendo la stessa procedura.
- ▶ Smaltire l'unità di filtrazione (vedi capitolo "11 Smaltimento", pagina 221).



- ▶ Agganciare le due maniglie di sollevamento sui 2 supporti (1) presenti nella parte interna del Trolley.

## 6.8 Smontare l'unità di filtrazione e le maniglie di spostamento usando il Flexsafe® STR Lifting Device

Una volta terminata l'operazione di filtrazione, le unità di filtrazione possono avere un peso proprio elevato. Si consiglia di effettuare il trasporto dell'unità di filtrazione usando un Sartorius Flexsafe® STR Lifting Device.

Personale: 2 persone, operatori

Materiale: Lifting Gear Maxicaps® MR e Flexsafe® STR Lifting Device

### Presupposti

- Il filtro dell'aria **non** si trova nel supporto filtro dell'aria.
- I raccordi e gli attuatori per valvola sono scollegati dall'unità di filtrazione.
- L'unità di filtrazione è nella posizione di filtrazione.
- Il Lifting Gear è installato sul Flexsafe® STR Lifting Device (vedi il manuale Flexsafe® STR Lifting Device).



## ⚠ AVVERTENZA

Rischio di lesioni in caso di caduta di componenti del sistema!

- ▶ Attenersi alla procedura di smontaggio.

## ⚠ AVVERTENZA

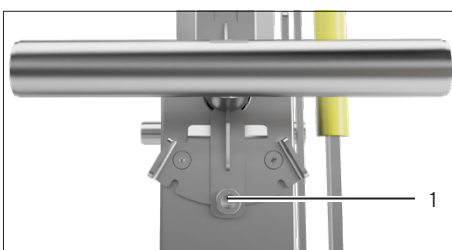
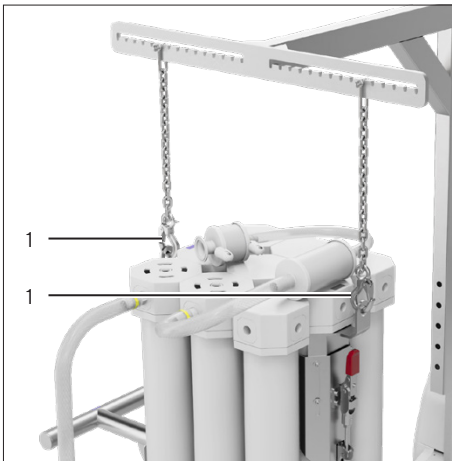
Rischio di lesioni in caso di ribaltamento del Flexsafe® STR Lifting Device!

Se la capacità di carico massima viene superata, il Flexsafe® STR Lifting Device può ribaltarsi. Ne possono derivare lesioni alle persone.

- ▶ Rispettare la capacità di carico massima del Flexsafe® STR Lifting Device (vedi lo schema del carico massimo del Flexsafe® STR Lifting Device).
- ▶ Sollevare l'unità di filtrazione **solo** se è svuotata.
- ▶ Sollevare l'unità di filtrazione **solo** se il dispositivo di bloccaggio tra la maniglia di sollevamento e il Trolley è sbloccato.

### Procedura

- ▶ Accostare il Flexsafe® STR Lifting Device al retro del Maxicaps® MR e posizionarlo in modo che il Lifting Gear si trovi il più possibile in centro sopra l'unità di filtrazione.
- ▶ ⚠ **AVVERTENZA** Rischio di lesioni se la posizione del Lifting Gear è scorretta! Agganciare i 2 ganci del Lifting Gear unicamente nei 2 punti di aggancio (golfari) (1) delle maniglie di sollevamento.
- ▶ Regolare il Lifting Gear in base alla larghezza dell'unità di filtrazione. A tale scopo spostare la catena in una tacca idonea del Lifting Gear.
- ▶ Consiglio: spostare le catene nelle tacche in modo che la loro distanza rispetto al centro sia il più possibile uguale.



- ▶ Sbloccare con una mano il dispositivo di bloccaggio (1) per la funzione di inclinazione.
- ▶ Con la seconda mano alzare leggermente la maniglia di sollevamento in modo che il dispositivo di bloccaggio non si reinnesti subito.

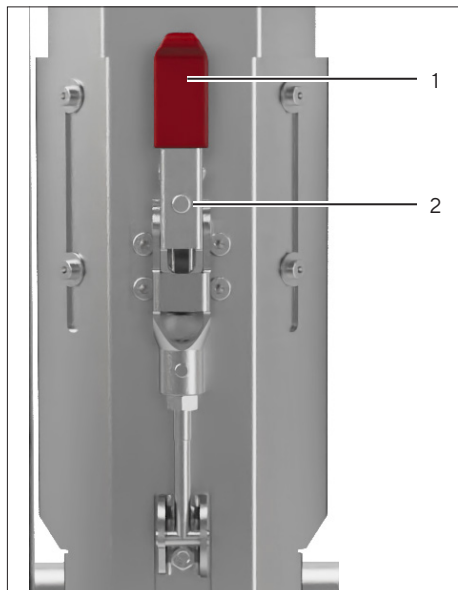
- ▶ Sollevare l'unità di filtrazione per mezzo del Flexsafe® STR Lifting Device in modo che sia possibile sollevare l'unità di filtrazione sopra il Trolley. Durante questa operazione assicurarsi che i ganci non si incastrino.
- ▶ Abbassare l'unità di filtrazione in un punto adatto.
- ▶ Se necessario: mentre l'unità di filtrazione viene abbassata, correggerne la posizione in modo che non venga appoggiata sul braccio del Flexsafe® STR Lifting Device.
- ▶ Sganciare i 2 ganci del Lifting Gear dai punti di aggancio dell'unità di filtrazione.

Operatore 1:

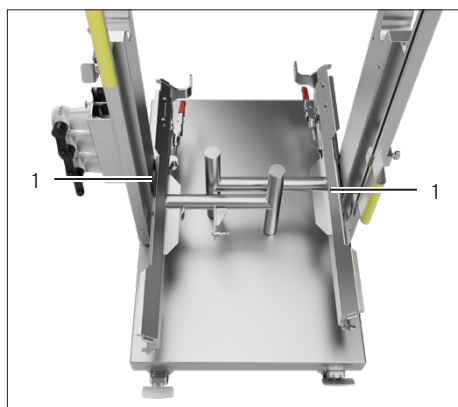
- ▶ Tenere ferma l'unità di filtrazione.

Operatore 2:

- ▶ Premere il fermo di sicurezza (2) e ruotare con attenzione la leva (1) verso il basso.
- ▶ Rimuovere la maniglia di sollevamento alzandola con cautela verso l'alto e posarla.
- ▶ Ruotare la leva (1) verso l'alto.
- ▷ Il fermo di sicurezza (2) s'innesta.
- ▶ Smontare la seconda maniglia seguendo la stessa procedura.
- ▶ Smaltire l'unità di filtrazione (vedi capitolo "11 Smaltimento", pagina 221).



- ▶ Agganciare le due maniglie di sollevamento sui 2 supporti (1) presenti nella parte interna del Trolley.



## 7 Pulizia

### 7.1 Pulire il Trolley e le maniglie di sollevamento

#### Presupposti

Il processo di filtrazione è terminato.

#### Procedura

- ▶ Utilizzare solo prodotti detergenti appropriati e osservare le informazioni relative al prodotto detergente impiegato (prodotti detergenti capitolo 12.11, pagina 225).
- ▶ Pulire il Trolley e le maniglie di sollevamento con un panno leggermente umido. In presenza di sporco più ostinato, usare una soluzione saponata delicata o un prodotto detergente adeguato.

## 8 Guasti

Guasto	Causa	Soluzione	Capitolo, pagina	Destinatario
Il filtro dell'aria è ostruito.	Nel filtro dell'aria è penetrato del liquido o della schiuma.	Smaltire l'unità di filtrazione.	11.1, 221	Operatore
Durante il test d'integrità di filtri <b>non</b> c'è pressurizzazione.	Il disco di rottura nel Pressure Safety Device è difettoso.	<ul style="list-style-type: none"> <li>– Smaltire il Pressure Safety Device difettoso.</li> <li>– Utilizzare un nuovo Pressure Safety Device.</li> </ul>		Operatore
Il test d'integrità di filtri <b>non</b> è stato superato.	L'unità di filtrazione non è stata inumidita a sufficienza.	<ul style="list-style-type: none"> <li>– Flussare di nuovo l'unità di filtrazione.</li> <li>– Ripetere il test d'integrità di filtri.</li> </ul>	6.2, 211 e 6.4, 212	Operatore
La pressione di ingresso supera la pressione d'esercizio consentita.	L'attuatore per valvola Inlet e   o Outlet è collegato.	Aprire l'attuatore per valvola Inlet e   o Outlet.		Operatore
	Il filtro dell'aria è ostruito.	Smaltire l'unità di filtrazione.		
	L'unità di filtrazione è ostruita.	Smaltire l'unità di filtrazione.		

## 9 Trasporto

### Presupposti

- Il processo di filtrazione è terminato.
- L'unità filtrante e le maniglie di sollevamento sono smontate.

---

### ⚠ ATTENZIONE

**Rischio di schiacciamento durante l'azionamento del freno di stazionamento!**

- ▶ Azionare il freno di stazionamento solo con il piede.
- ▶ Indossare le attrezzature di protezione individuale.

---

### ⚠ ATTENZIONE

**Rischio di schiacciamento delle parti del corpo quando si sposta il sistema a mano!**

- ▶ **Non** collocare il sistema su superfici inclinate
  - ▶ Indossare le attrezzature di protezione individuale.
- 

### Procedura

- ▶ Spingere l'estensione della guida del sistema munita di supporto per filtro dell'aria nella posizione più bassa.
- ▶ Sbloccare il freno di stazionamento delle rotelle di trasporto. A tale scopo premere verso l'alto la leva (1) usando il piede.
- ▶ Spostare il Trolley usando le maniglie di spostamento nel posto desiderato.



# 10 Stoccaggio e spedizione

## 10.1 Stoccare il Trolley e le maniglie di sollevamento

### Procedura

- ▶ Pulire il Trolley e le maniglie di sollevamento.
- ▶ Stoccare il sistema rispettando le condizioni ambientali (vedi capitolo 12.4, pagina 224).

## 10.2 Restituire l'apparecchio e i componenti

I componenti difettosi possono essere restituiti a Sartorius. I componenti restituiti devono essere puliti, decontaminati e imballati in modo adeguato.

I danni dovuti al trasporto, nonché gli interventi di pulizia e disinfezione delle parti eseguiti successivamente da Sartorius sono a carico del mittente.

I componenti contaminati con sostanze pericolose, per es. sostanze biologiche o chimiche nocive alla salute, **non** saranno ritirati né per lavori di riparazione né per lo smaltimento.

### Procedura

- ▶ Contattare il Sartorius Service per ricevere indicazioni relative al reso (vedi [www.sartorius.com](http://www.sartorius.com)).
- ▶ Per la spedizione imballare i componenti in modo adeguato.

# 11 Smaltimento

## 11.1 Smaltire l'apparecchio e i componenti

Il sistema e i suoi accessori devono essere smaltiti in modo appropriato dai centri di smaltimento rifiuti.

### Presupposti

Il sistema è decontaminato.

### Procedura

- ▶ Smaltire i componenti del sistema secondo le normative nazionali vigenti.
- ▶ Smaltire l'imballaggio secondo le normative nazionali vigenti.

## 12 Dati tecnici

### 12.1 Pesi

#### 12.1.1 Pesi dell'unità di filtrazione

Maxicaps® MR	Valore	Peso complessivo a secco senza imballaggio*	Peso complessivo a secco con imballaggio*	Peso complessivo riempita*	Peso complessivo svuotata (dopo l'IT-Test a 2,5 bar)*
MR2	kg	7	9	14	8
MR3	kg	10	13	21	11
MR4	kg	12	15	27	14
MR5	kg	15	18	33	17
MR6	kg	18	21	41	21
MR7	kg	20	24	46	23
MR8	kg	23	27	52	27
MR9	kg	26	29	60	30

\* I valori sono da intendersi come valori indicativi. I valori effettivi dipendono da più fattori (per es. lotto del filtro, configurazione dei tubi flessibili, livello di riempimento durante lo sfiato) e possono differire dai valori qui indicati. I valori sono stati determinati prendendo come esempio un filtro Sartopore® 2; 0,2 µm, (ingresso | uscita ogni 1,5 m TuFlux® TPE + connettore TC)

#### 12.1.2 Pesi dei componenti multiuso

	Unità	Valore
Trolley	kg	64
Maniglia di sollevamento (per ogni lato)	kg	4
Attuatore per valvola	kg	2
Lifting Gear + braccio	kg	11

## 12.2 Dimensioni dell'intero sistema Maxicaps® MR

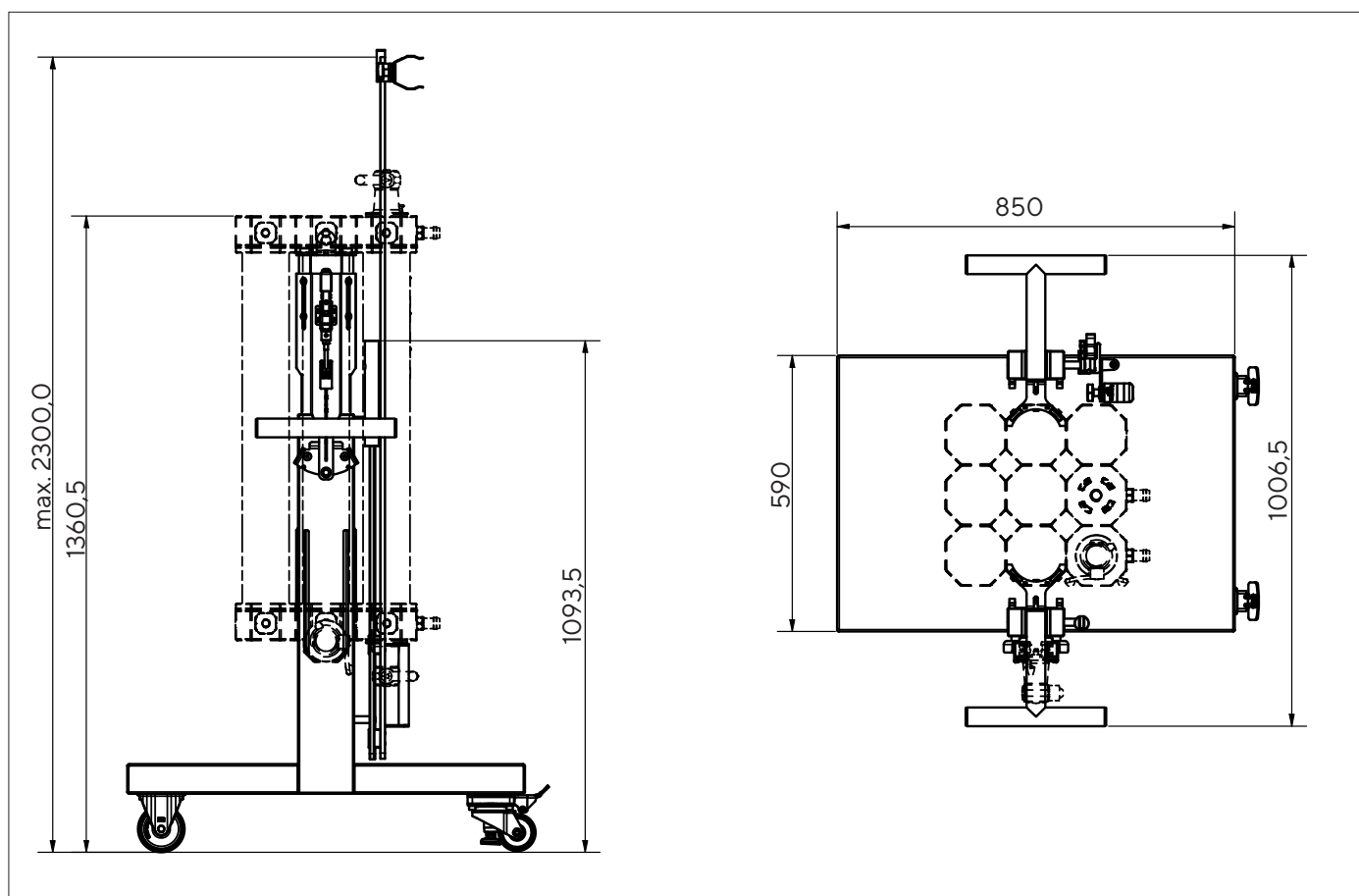


Fig.10: Dimensioni del sistema in mm

## 12.3 Volume complessivo dell'unità di filtrazione

Maxicaps® MR	Valore	Volume complessivo (volume in upstream)
MR2	L	7
MR3	L	10
MR4	L	13
MR5	L	15
MR6	L	18
MR7	L	21
MR8	L	24
MR9	L	26

\* I valori sono da intendersi come valori indicativi e possono differire dai valori qui indicati. I valori sono stati determinati prendendo come esempio un filtro Sartopore® 2; 0,2 µm, (ingresso | uscita ogni 1,5 m TuFlux® TPE + connettore TC)

## 12.4 Condizioni ambientali e di stoccaggio

	Unità	Valore
Temperatura		
Funzionamento, stoccaggio, trasporto	°C	+5 - +40
Durante il test d'integrità per filtri	Temperatura ambiente costante	
Umidità relativa dell'aria (funzionamento, stoccaggio, trasporto)	%	< 85

## 12.5 Parametri per test d'integrità di filtri

	Unità	Valore
Gas consentiti		Aria compressa, azoto
Pressione, massimo*	bar	2,5

\* Per i parametri di test specifici del filtro si rimanda alla scheda tecnica

## 12.6 Parametri per lo svuotamento dell'unità di filtrazione con aria compressa

	Unità	Valore
Pressione massima	bar	0,5

## 12.7 Tempo di funzionamento massimo per ogni unità di filtrazione

	Unità	Valore
Tempo	h	48
Cicli di pressione (1 ciclo di pressione = $\Delta p > 20\%$ )		500

## 12.8 Vita utile del Trolley, attuatore per valvola e delle maniglie di sollevamento

	Unità	Valore
Vita utile	a	8

## 12.9 Unità di filtrazione consentite

Unità di filtrazione Maxicaps MR® di tipo FMRxxxxx\*

\* dipende dalla configurazione



## 12.10 Materiali dei componenti multiuso

	<b>Materiale</b>
Trolley	Acciaio inox
Maniglie di sollevamento	Acciaio inox

## 12.11 Prodotti detergenti e metodi di pulizia

### Prodotti detergenti

**Nessun** componente corrosivo o abrasivo

**Nessun** componente contenente cloro o cloruro

**Nessun** solvente

### Metodi di pulizia

**Nessun** uso di idropulitrici ad alta pressione o a getto di vapore

**Nessuna** procedura di nebulizzazione per pulire o disinfettare

## 13 Accessori

Questa tabella contiene un estratto degli accessori ordinabili. Per informazioni su ulteriori articoli rivolgersi a Sartorius.

Articolo	Quantità	Codice d'ordine
Pressure Safety Device	1	26787---PS
Flexsafe® STR 500 - 1000 Lifting Device (marca Tawi)	1	DZ-----LT2
Flexsafe® STR 2000 Lifting Device (marca Tawi)	1	DZ-----LT1

## 14 Sartorius Service

Il Sartorius Service è a disposizione per qualsiasi domanda sul sistema. Per informazioni relative agli indirizzi dei centri di Service, alle prestazioni di Service e al contatto in loco si prega di visitare il nostro sito Internet ([www.sartorius.com](http://www.sartorius.com)).

Per qualsiasi domanda sul sistema e se si contatta il Sartorius Service in caso di malfunzionamenti, tenere pronte le informazioni specifiche del sistema, per es. il numero di serie e indicarle al Sartorius Service. A tale scopo riferirsi alle informazioni riportate sulla targhetta identificativa.

## 15 Documenti relativi alla conformità

Con i documenti allegati si attesta che l'apparecchio è conforme alle direttive o norme menzionate.

# 目录

1	关于本说明书	229
1.1	适用性	229
1.2	适用文件	229
1.3	目标群体	229
1.4	图示	230
1.4.1	操作说明中的警告提示	230
1.4.2	其他图示	230
2	安全提示	231
2.1	预期用途	231
2.1.1	更改系统	231
2.1.2	人员资质	231
2.2	安全装置	231
2.3	系统的安全信息	232
2.4	配件	232
2.5	个人防护装备	232
2.6	损坏过滤器	232
2.7	高重量	232
2.8	升降装置	233
2.9	加压媒介物	233
2.10	移动系统	233
2.11	系统翻倒	233
3	系统说明	234
3.1	系统概览	234
3.2	带提手的小车	235
3.3	过滤器	236
3.4	过滤器的标签	237
3.5	旋转功能	238
3.6	阀门驱动器	239
3.7	安全装置	240
3.8	系统上的符号	241
4	安装	242
4.1	选择安装地点	242
4.2	拆箱	242
4.2.1	拆开小车和提手的包装	242
4.2.2	拆开 Maxicaps® MR 过滤器的包装	242
4.3	将小车放置在安装地点并固定	243
4.4	装上系统轨道延长件	244
4.5	调整空气过滤器支架	244
5	过程准备	245
5.1	安装 Maxicaps® MR	245
5.1.1	将提手安装在过滤器上	245
5.1.2	将过滤器安装在小车上, 不使用 Flexsafe® STR Lifting Device	247
5.1.3	将 Lifting Gear 安装在 Flexsafe® STR Lifting Device 上。	248
5.1.4	使用 Flexsafe® STR Lifting Device 将过滤器安装在小车上。	249
5.2	安装阀门驱动器	251
5.3	安装空气过滤器	252

6	操作	254
6.1	填充和排空过滤器	254
6.2	冲洗过滤器	255
6.3	执行过滤	255
6.4	执行过滤器完整性测试	256
6.5	排空过滤器	256
6.5.1	以重力方式排空过滤器。	256
6.5.2	用压缩空气排空过滤器	257
6.6	断开过滤器的接口与阀门驱动器的连接	257
6.7	安装过滤器和提手, 不使用 Flexsafe® STR Lifting Device	258
6.8	用 Flexsafe® STR Lifting Device 拆除过滤器和提手	259
7	清洁	262
7.1	清洁小车和提手	262
8	故障	262
9	运输	263
10	存放和运输	264
10.1	存放小车和提手	264
10.2	退回设备和部件	264
11	废弃处理	264
11.1	对系统和部件进行废弃处理	264
12	技术参数	265
12.1	重量	265
12.1.1	过滤器重量	265
12.1.2	多用途组件重量	265
12.2	Maxicaps® MR 整体系统尺寸	266
12.3	过滤器总体积	266
12.4	环境和储存条件	267
12.5	过滤器完整性测试参数	267
12.6	用压缩空气排空过滤器的参数	267
12.7	每个过滤器的最长工作时间	267
12.8	小车和阀门驱动器和提手的使用寿命	267
12.9	批准的过滤器	267
12.10	多用途组件的材料	268
12.11	清洁剂和清洁方法	268
13	配件	269
14	Sartorius Service	269

# 1 关于本说明书

## 1.1 适用性

此说明书是系统的一部分,必须完整阅读和保存。此说明书适用于以下规格的系统:

系统和配件	材料编号
小车	FIA500010
提手	FIA500011
Lifting Gear	FIA500012
阀门驱动器	FIA500013
Pressure Safety Device	26787---PS
一次性过滤器 Maxicaps® MR	FMR5xxxxx*

\* 取决于配置

## 1.2 适用文件

- ▶ 另外,请您注意此说明书附带的以下文档:
  - 过滤器完整性测试设备的说明书,例如 Sartocheck® 5
  - TAWI 提升装置 (Flexsafe® STR Lifting Device) 的说明书
  - 连接器的说明书
  - 数据表 Maxicaps® MR

## 1.3 目标群体

本说明书面向以下目标群体。此目标群体必须掌握所述知识。

目标群体	知识和资质
操作员	操作员要熟悉系统及其相关的工作流程。操作员要了解在本系统上作业可能出现的危险,并能避免这些危险。

## 1.4 图示

### 1.4.1 操作说明中的警告提示

---

#### **警告**

标示了如果**无法**避免将可能造成死亡或重伤的危险。

---

#### **警告**

标示了如果**无法**避免将可能造成中等伤害或轻伤的危险。

---

#### **注意**

标示了如果**无法**避免将可能造成财产损失的危险。

---

### 1.4.2 其他图示

- ▶ 操作说明:描述一些必须执行的操作。必须先后按照顺序执行操作。
- ▷ 结果:描述已执行操作的结果。

#### **本说明书中的插图**

根据系统配置的不同,系统的示意图可能与所提供的设备略有不同。本说明书中所示的类型仅用作示例。

## 2 安全提示

### 2.1 预期用途

Maxicaps® MR 是一个用于过滤水基液体和进行过滤器完整性测试的系统。该系统由多用途组件小车、提手和阀门驱动器以及一次性过滤器组成。一次性过滤器必须适用于该系统(允许使用的过滤器见章节12.9, 页数 267)：

**不得使用**此系统执行以下过程：

- 使用安全等级 3 或 4 (根据 EU 2000/54/EG) 的生物工作介质的过滤过程
- 根据危险物质条例, 使用有害物质的过滤过程

只能根据本说明书使用此系统。任何其他应用都被视为**不符合**规定。

#### 可预见的错误应用

**不允许**以下应用：

- 用于其他未明确批准的流程
- 用作攀爬辅助装置
- 将一次性过滤器用作放置区域
- 将小车用作运输小车
- 将该系统用于气体过滤 (例外: 过滤器完整性测试)

#### 系统的使用条件

此系统**不能**在有爆炸危险的环境中使用。此系统仅能在室内使用。

此系统仅允许在说明书技术参数中指定的操作条件下与规定的设备一起使用。

#### 2.1.1 更改系统

如果系统被更改: 人员可能会遭受危险。系统的特定文件和产品许可证可能会失去其适用性。

如果对系统更改有任何疑问, 请联系 Sartorius 公司。

#### 2.1.2 人员资质

不具备足够的系统安全使用知识的人员使用该系统可能会伤害自己和他人。

如果进行该操作需要具备一定的资质: 指定目标群体。如果**未**指定资质: 则由目标群体“操作员”执行该操作。

### 2.2 安全装置

系统的安全装置保护系统上作业的人员免受系统造成的伤害, 例如超压。如果拆卸或改造了系统的安全装置: 人员可能会受到重伤。

- ▶ **不要**拆卸、更改或废弃安全装置 (安全装置参见章节3.7, 页数 240)。

## 2.3 系统的安全信息

该系统操作的安全信息由警告提示、安全标签等标志组成。不粘贴安全信息或安全信息不可读可能导致**无法**识别。人员可能因此而受伤。

- ▶ **请勿**遮挡、撕去或修改这些标志。
- ▶ 在无法辨认的情况下请更新这些标志。

## 2.4 配件

不合适的配件可能影响功能和安全并造成以下后果：

- 对人员造成危害
  - 系统的损坏、功能故障或失灵
- ▶ 仅使用 Sartorius 认可的 章节9, 页数 263安全配件。

## 2.5 个人防护装备

个人防护装备使操作员免受因 Maxicaps® MR 系统和过滤器造成的危险。如果缺少个人防护装备或个人防护装备不适合于系统上的工作流程：工作人员可能受伤。

必须佩戴以下个人防护装备：

- 工作防护服
- 防护手套
- 护目镜
- 安全鞋

## 2.6 损坏过滤器

过滤器可能会因撞击而损坏，例如倾倒或碰撞。人员可能会被损坏的过滤器所伤害。

- ▶ 撞击后**不要**再使用过滤器，并将其废气处理。

## 2.7 高重量

该过滤器自重很重。在提升和运输过滤器时，有受伤的风险，例如过滤器掉落下来。

- ▶ 提升和运输时请他人协助。
- ▶ Sartorius 建议使用合适的提升装置，例如 Lifting Gear Maxicaps® MR，来提升和运输过滤器。



## 2.8 升降装置

如果在运输过滤器时使用升降装置:如果升降装置使用不当,例如过滤器掉下来,则人员可能会受到严重伤害。

- ▶ 穿戴合适的个人防护装备。
- ▶ 将升降装置安装在适当的位置(见章节“9 运输”,页数 263)。

## 2.9 加压媒介物

如果对系统施加过多的压力,则人员可能会因软管、端口或其他系统部件的脱落而受伤。

- ▶ 穿戴合适的个人防护装备。
- ▶ **不能超过最大工作压力**(最大工作压力参见过滤器标签)。
- ▶ 使用压力监测装置。
- ▶ **不要在无人看管的情况下进行液体转移过程。**

## 2.10 移动系统

如果小车无意中开始移动:小车可能会伤害人员。

- ▶ 系统只能放于平面上。
- ▶ 踩下运输轮上的2个锁定制动器。

## 2.11 系统翻倒

由于重量很重,如果系统翻倒,则人员可能会受到严重伤害。

- ▶ 如果填充过滤器或在过滤过程中:**不要移动小车。**

## 3 系统说明

### 3.1 系统概览

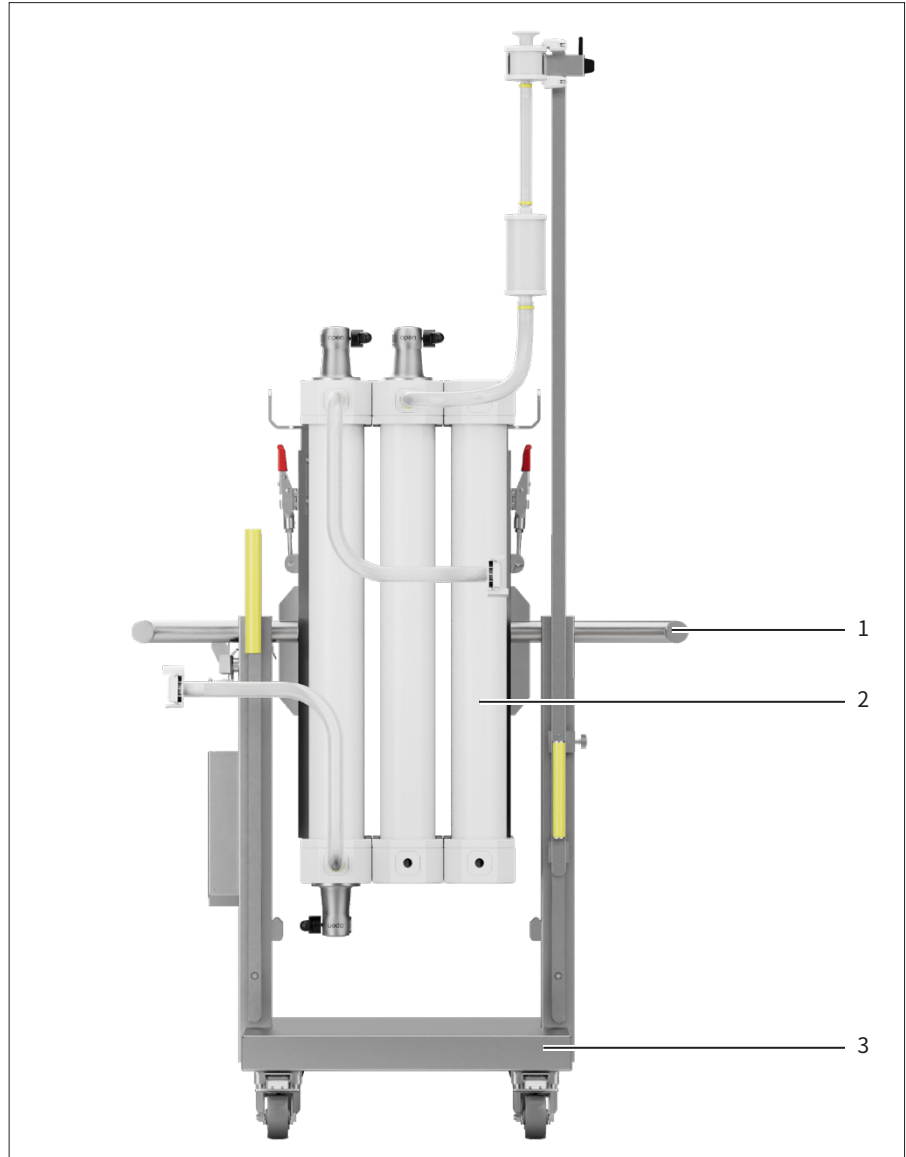


插图 1: Maxicaps® MR 系统

编号	名称	说明
1	提手	固定在过滤器上。
2	过滤器	
3	小车	

## 3.2 带提手的小车

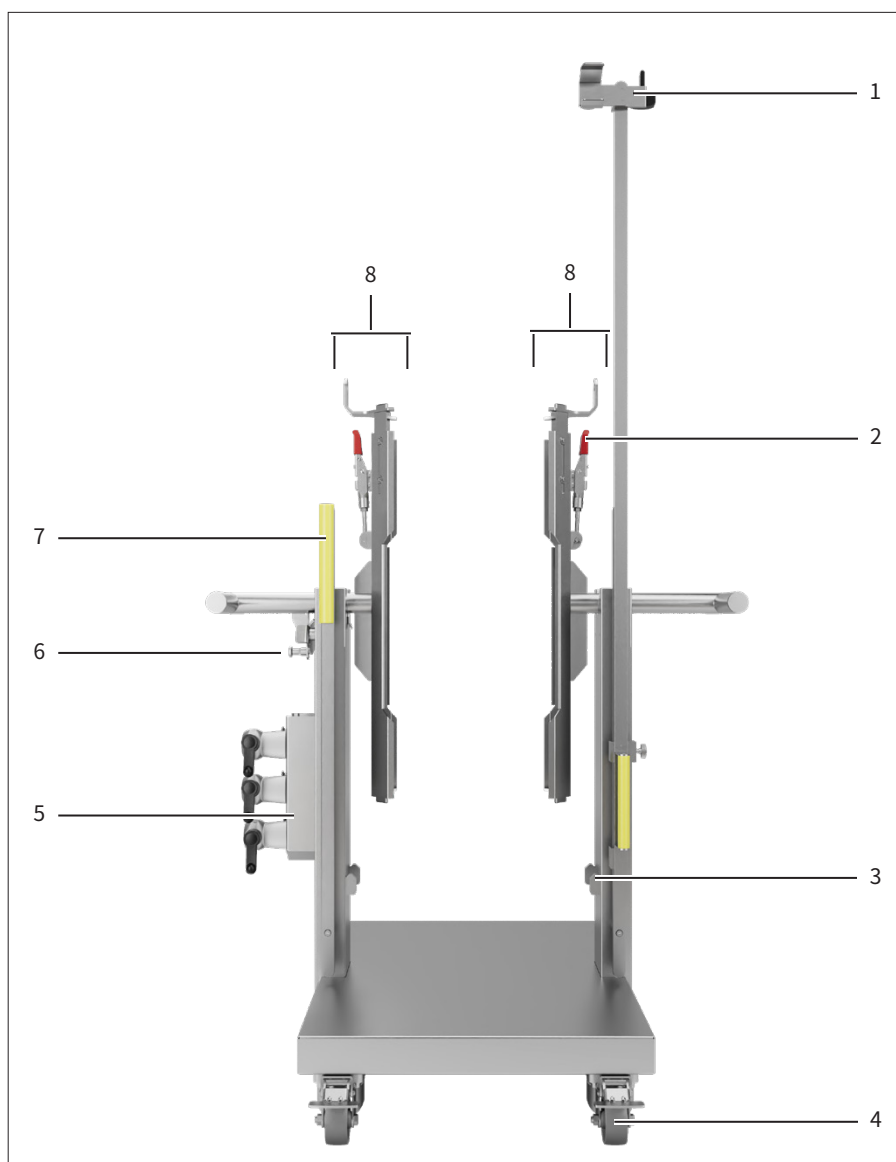


插图 2: 带悬挂式提手的小车

编号	名称
1	空气过滤器支架
2	过滤器锁定装置
3	提手支架
4	运送滚轮
5	阀门驱动器的支架
6	旋转功能锁定装置
7	小车把手
8	提手

### 3.3 过滤器

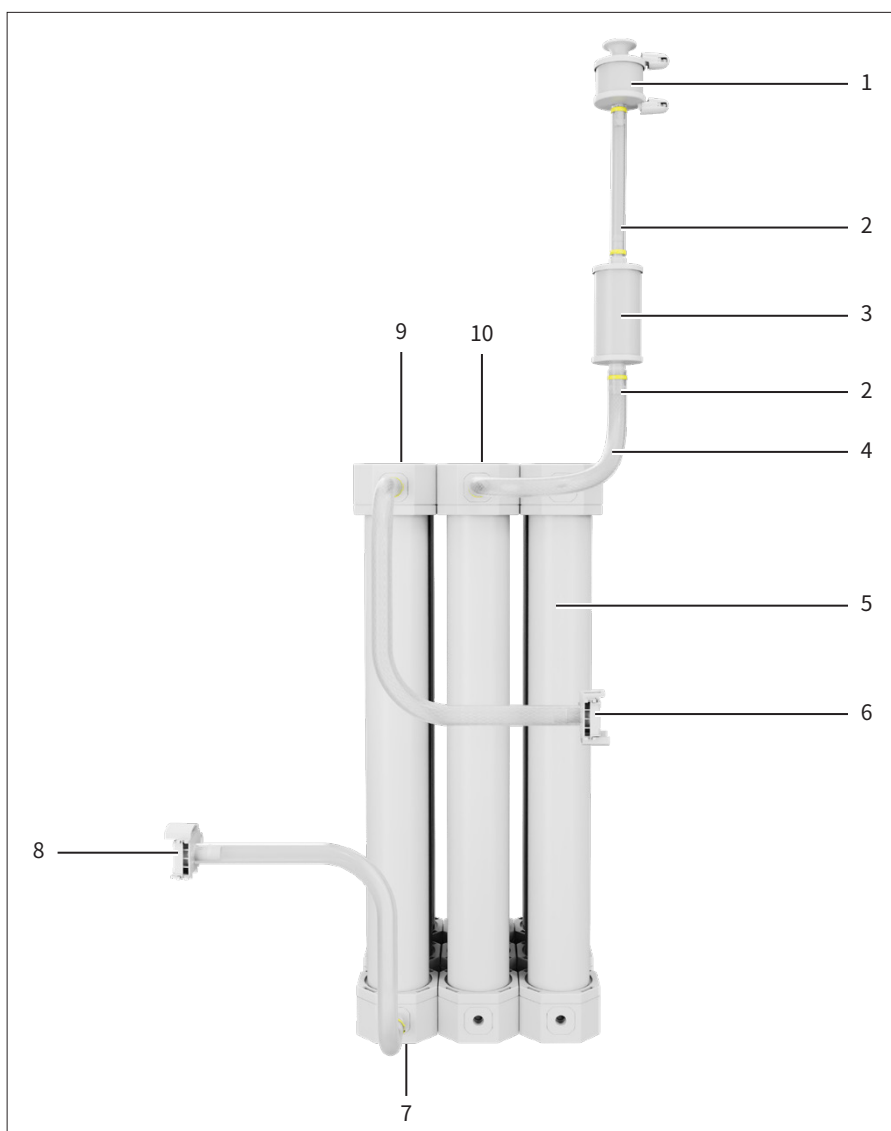


插图 3: 9 组过滤器 (示例)

编号	名称
1	空气过滤器 (Sartopore® Air)。
2	观察窗口 (仅限 Advanced 款通风管套件)
3	可视容器
4	通风管套件
5	过滤器
6	带连接器的 Inlet 软管 (In)
7	Outlet 阀门
8	带连接器的 Outlet 软管 (Out)
9	Inlet 阀门
10	通风阀门

### 3.4 过滤器的标签

过滤器的标签规定了过滤器的 Inlet 和 Outlet 以及过滤器完整性测试的最大工作压力。最大工作压力取决于过滤器的配置。

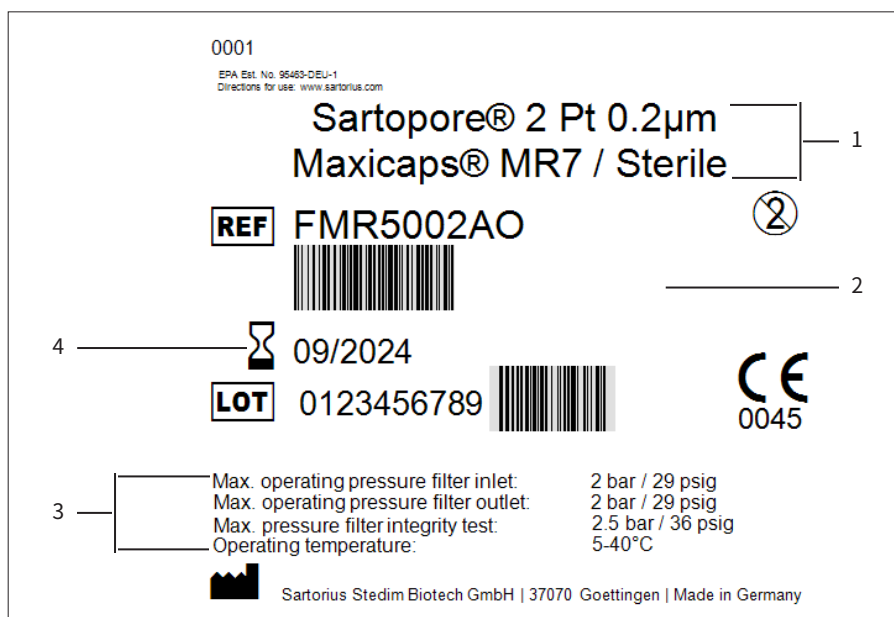


插图 4: 过滤器的标签示例

编号	名称
1	产品信息
2	无菌指示器 (仅适用于无菌款)
3	工作参数
4	保质期

### 3.5 旋转功能

旋转功能可用于将过滤器置于一个倾斜的位置。旋转功能可用于过滤器的通风和排空。

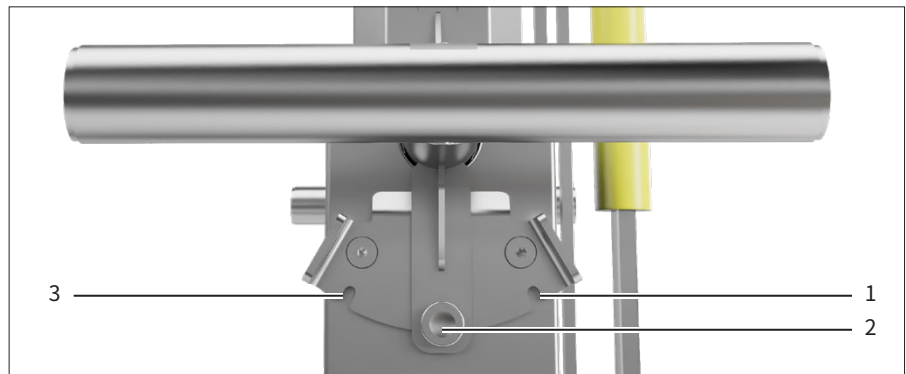


插图5: 旋转功能设置

编号	名称	说明
1	通风位置	过滤器向左旋转约 30°。
2	过滤位置	过滤器垂直对齐。
3	排空位置	过滤器向右旋转约 30°。

### 3.6 阀门驱动器

3个阀门驱动器用于打开和关闭过滤器中的阀门。阀门驱动器必须安装在过滤器上。

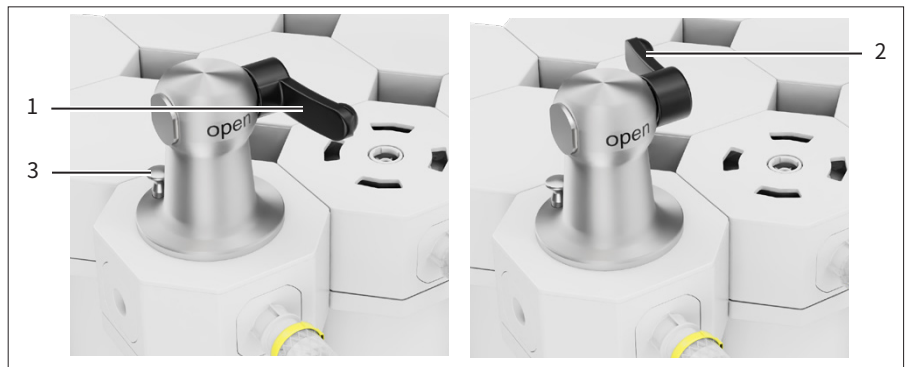


插图6: 阀门驱动器

编号	名称	说明
1	阀门驱动器 [open]	阀门驱动器的控制杆指向 [open] 方向。过滤器的阀门已打开。
2	阀门驱动器 [close]	阀门驱动器的控制杆指向 [close] 方向。过滤器的阀门已关闭。
3	阀门驱动器锁定 装置	用于固定阀门驱动器。

### 3.7 安全装置

Pressure Safety Device (带安全膜板的压力安全装置) 在过滤器完整性测试和排空过程中, 通过压缩空气保护系统免受 > 2.5 巴+ 0.5 巴的超压损坏。

Pressure Safety Device 安装在空气过滤器和过滤器完整性测试设备或压缩空气接口之间。




插图 7: Pressure Safety Device

编号	名称
1	用于连接过滤器完整性测试设备或空气过滤器等
2	安全膜板 (安装在内部)



## 3.8 系统上的符号

图标	含义
<p><b>SARTORIUS</b></p> <p>Attention!</p> <p>Check that sanitary clamps are fitted securely. If necessary, retighten clamps.</p> <p>Do not operate without installing valve drives.</p> <p>Do not exceed max. operating pressure or temperature.</p> <p>Use pressurized gas only with an installed pressure safety device.</p>	<p>提示</p> <p>检查卫生夹具 (仅限 Advanced 款通风管套件) 是否紧固, 必要时重新夹紧。</p> <p>在没有安装阀门驱动器的情况下, <b>不要</b>使用该系统。</p> <p><b>不要</b>超过最大工作压力和温度。</p> <p>只在安装了 Pressure Safety Device 的情况下使用压缩空气。</p>
	<p>手部受伤: 提手上的控制杆翻转时有夹伤危险。</p>

## 4 安装

### 4.1 选择安装地点

#### 流程

- ▶ 确保满足安装条件：

条件	特征
环境条件	已测试适宜性(参见 章节12.4, 页数 267)
放置区域	<ul style="list-style-type: none"> <li>– 平稳</li> <li>– 低振动</li> <li>– 大小足以容纳系统(设备占地面积参见章节 12.2, 页数 266)</li> <li>– 确保足够的承重能力,即使系统满载也无碍(参见章节12.1, 页数 265)</li> </ul>

### 4.2 拆箱

#### 4.2.1 拆开小车和提手的包装

##### 前提条件

激活运输轮上的2个锁定制动器。

##### 流程

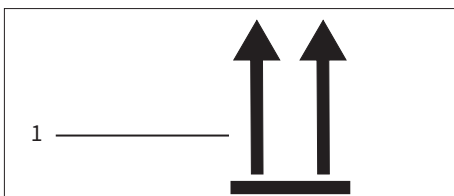
- ▶ 移除运输包装。
- ▶ 按照当地法规对运输包装进行废弃处理。

#### 4.2.2 拆开 Maxicaps® MR 过滤器的包装

人员： 2 人, 操作员

##### 流程

- ▶ 对齐纸箱, 使纸箱上的箭头 (1) 指向上方。
- ▶ 在顶部打开纸箱
- ▶ 取出防割纸板。



操作员 1 和 2:

- ▶ **注意** 错误操作会损坏过滤器!
  - ▶ **不要**用软管或塑料袋抬起过滤器。
  - ▶ 只抓住过滤器的外壳, 并从纸箱中抬起过滤器。

- ▶ 将过滤器放下。
- ▶ 打开并取下二级保护袋。
- ▶ 打开并取下一级保护袋。
- ▶ 按照当地法规对包装进行废弃处理。

## 4.3 将小车放置在安装地点并固定

### ⚠ 警示

#### 操作锁定制动器时有夹伤危险!

- ▶ 只能用脚来操作锁定制动器。
- ▶ 穿戴个人防护装备。

### ⚠ 警示

#### 手动移动系统时, 碾过身体部位会有压伤危险!

- ▶ **不要**将系统放在倾斜表面上
- ▶ 穿戴个人防护装备。

### 流程

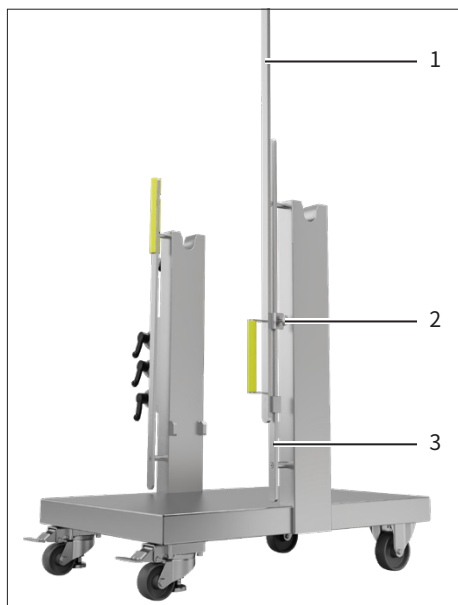
- ▶ 如果运送滚轮的锁定制动器已激活: 松开运送滚轮的锁定制动器。为此用脚向上按压控制杆 (1)。
- ▶ 将系统定位在所需位置上。
- ▶ 激活运送滚轮的锁定制动器。为此用脚向下踩控制杆。
- ▷ 固定小车。



## 4.4 装上系统轨道延长件

### 流程

- ▶ 打开系统轨道延长件上的翼形螺丝 (2)。
- ▶ 从上面将系统导轨延长件 (1) 推到系统轨道 (3) 的固定部分。
- ▶ 若要固定系统轨道延长件: 关闭系统轨道延长件上的翼形螺丝 (2)。

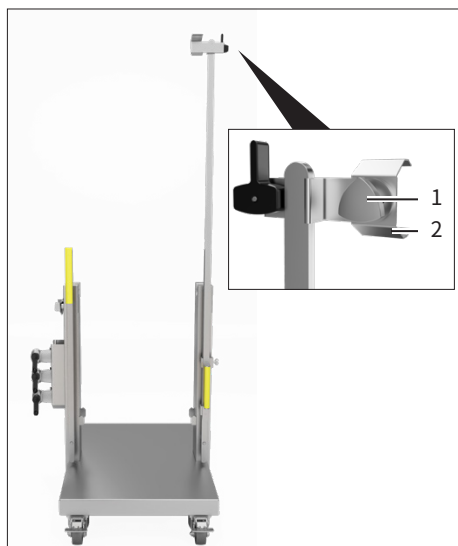


## 4.5 调整空气过滤器支架

空气过滤器支架上的空气过滤器夹具必须旋转90°, 这样空气过滤器才能固定在一个垂直位置。

### 流程

- ▶ 松开空气过滤器夹具上的把手螺丝 (1)。
- ▶ 将空气过滤器夹具 (2) 旋转90°。
- ▶ 拧紧空气过滤器夹具上的把手螺丝。



## 5 过程准备

### 5.1 安装 Maxicaps® MR

以有 9 个过滤器 (MR9) 的过滤元件为例说明了安装。

#### 5.1.1 将提手安装在过滤器上

根据过滤器 (MR2 - MR9) 的配置, 提手必须安装在过滤器的不同位置。提手和过滤器上的颜色标记显示了正确的位置。

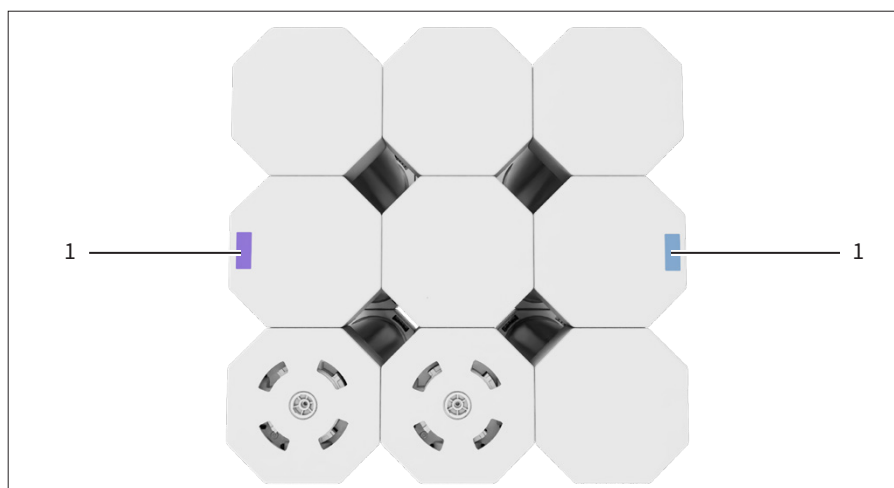


插图 8: 过滤器的颜色标记 - 俯视图

编号	名称	说明
1	过滤器颜色标记	<ul style="list-style-type: none"> <li>— 显示安装提手的正确位置。</li> <li>— 提手的颜色标记必须与过滤器的颜色标记一致。</li> </ul>

人员: 2 人, 操作员

#### 前提条件

拆开过滤器的包装。

### 流程

- ▶ 将过滤器竖直放置。
- ▷ 排空和 Inlet 管套件在上面。过滤器上的流量指示器的箭头指向底部。

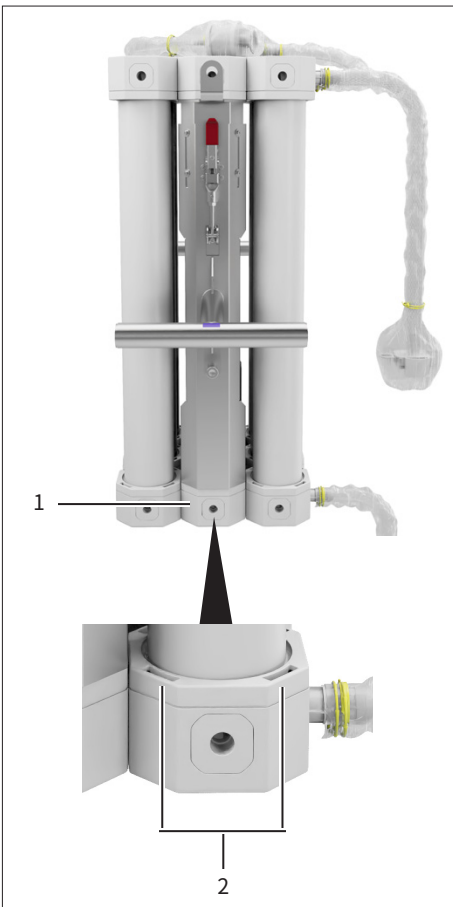


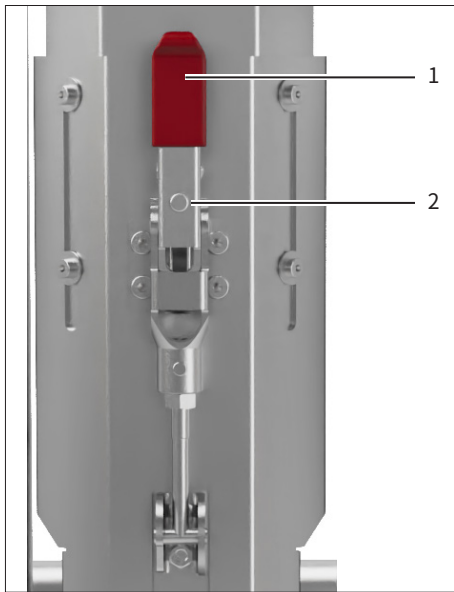
#### 操作员 1:

- ▶ 握住过滤器。

#### 操作员 2:

- ▶ 若要安装有紫色标记的提手：
  - ▶ 选择有紫色标记的过滤器的一侧
  - ▶ 将提手插入 Outlet Plate (1) 的开口处 (2)。





- ▶ **⚠ 警示** 转动控制杆 (1) 时有压伤手指的危险! 按下把手的锁扣 (2), 小心地将控制杆向下转动。
  - ▶ 将提手与过滤元件平齐。
  - ▶ 向上转动控制杆 (1)。
  - ▶ 锁止装置 (2) 卡紧。
  - ▶ 如果不能装上提手, 或者只有在大力压紧的情况下才能装上, 请检查提手的位置, 必要时进行调整。
- ▶ 用同样的方法安装有青绿色标记的提手。

### 5.1.2 将过滤器安装在小车上, 不使用 Flexsafe® STR Lifting Device

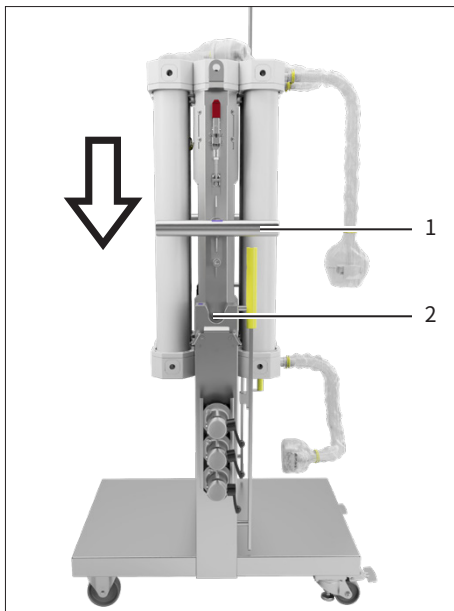
人员: 2人, 操作员

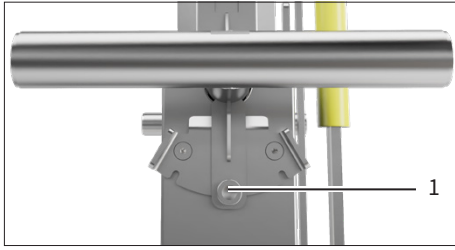
#### 前提条件

提手已安装在过滤器上。

#### 流程

- ▶ 将过滤元件与提手对齐, 使提手上的颜色标记与小车上的颜色标记一致。
- ▶ 用两个提手 (1) 提起过滤元件, 并将其放入小车的凹槽 (2) 中。

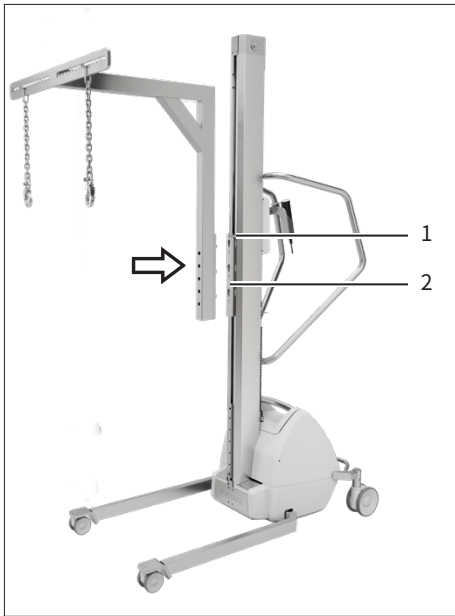




- ▶ 检查旋转功能的锁定装置是否卡紧在过滤位置 (1) 上。

### 5.1.3 将 Lifting Gear 安装在 Flexsafe® STR Lifting Device 上。

#### 流程



- ▶ 将 Lifting Gear 插入 Flexsafe® STR Lifting Device 的连接元件 (2) 中。
- ▶ 检查锁紧螺栓 (1) 是否卡紧。



### 5.1.4 使用 Flexsafe® STR Lifting Device 将过滤器安装在小车上

人员： 2 人, 操作员

材料： Lifting Gear Maxicaps® MR 和 Flexsafe® STR Lifting Device



插图9: Lifting Gear

编号	名称	说明
1	钩子	用于将 Lifting Gear 固定在过滤器的锚点上。
2	设置范围	用于根据过滤器的宽度进行调整。

#### 前提条件

- 提手已安装在过滤器上。
- 定位小车, 使带空气过滤器支架的系统轨道对准后方。
- 激活锁定制动器。

#### ⚠ 警告

**由于系统部件掉落, 有受伤的危险!**

- ▶ 遵守安装的方法。

#### ⚠ 警告

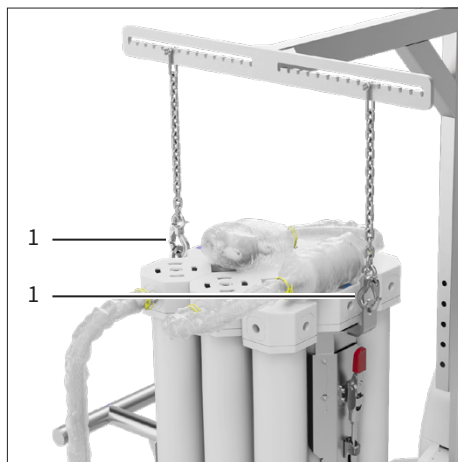
**Flexsafe® STR Lifting Device 有翻倒导致受伤的危险!**

如果超过了最大承载能力, 则 Flexsafe® STR Lifting Device 可能会翻倒。这样可能会造成人员受伤。

- ▶ 请注意 Flexsafe® STR Lifting Device 的最大承载能力 (见 Flexsafe® STR Lifting Device 的承载能力图)。

### 流程

- ▶ 将过滤元件与小车前的提手对齐,使提手上的颜色标记与小车上的颜色标记一致。
- ▶ 将 Flexsafe® STR Lifting Device 放在过滤器上方。
- ▶ **▲ 警告** 过滤器有掉下导致受伤的危险! 只能将 Lifting Gear 的 2 个钩子挂在提手的 2 个锚点(孔眼) (1) 上。

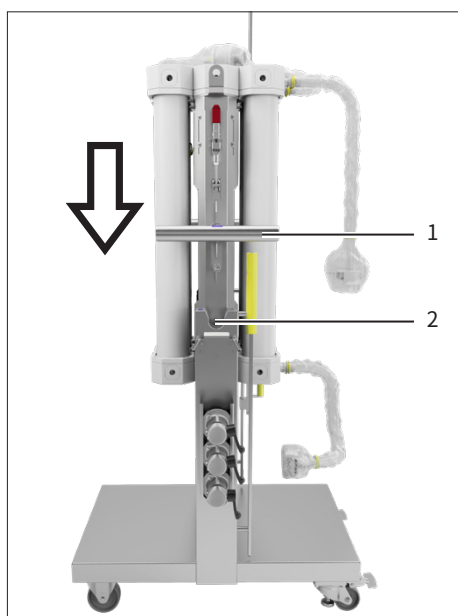


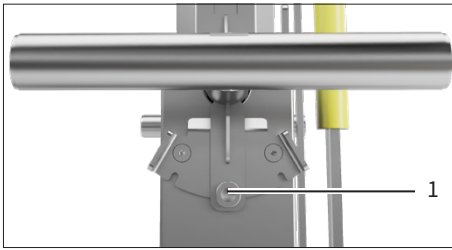
- ▶ 将 Lifting Gear 调整到过滤器的宽度。为此,将链条移到 Lifting Gear 调整范围内的一个合适的凹槽中。
- ▶ 建议:链条应移入凹槽中,使其与中心的距离尽可能相等。



- ▶ 用 Flexsafe® STR Lifting Device 向上提起过滤器。
- ▶ 将 Flexsafe® STR Lifting Device 移到小车处,并将其置于小车上。

- ▶ 缓慢地降低过滤器。将 2 个提手 (1) 插入小车上的凹槽 (2) 中。





- ▶ 将旋转功能的锁定装置固定在过滤位置 (1) 中。

- ▶ 将 Lifting Gear 的 2 个钩子从过滤器的锚点上松开。

## 5.2 安装阀门驱动器

将 3 个阀门驱动器安装在过滤器上：

- 位于过滤器顶部的 Inlet 阀门驱动器打开和关闭 Inlet 阀门。
- 位于过滤器顶部的排空阀门驱动器打开和关闭排空阀门。
- 位于过滤器底部的 Outlet 阀门驱动器打开和关闭 Outlet 阀门。

### 注意

**多次安装阀门驱动器会损坏过滤器的内部阀门！**

- ▶ 在一个过滤元件的同一阀门上, 最多只能安装 3 次阀门驱动器。

### 前提条件

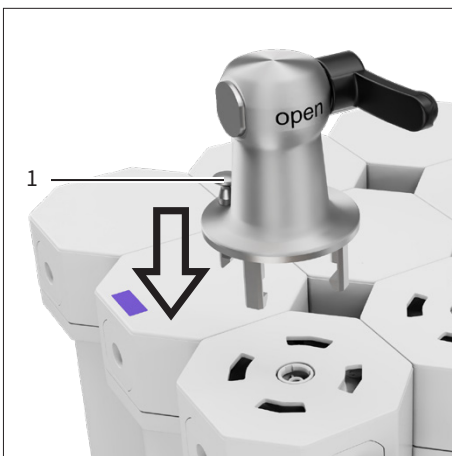
3 个阀门驱动器都在 [open] 位置。

### 流程

- ▶ 从阀门支架上拆下 3 个阀门驱动器。

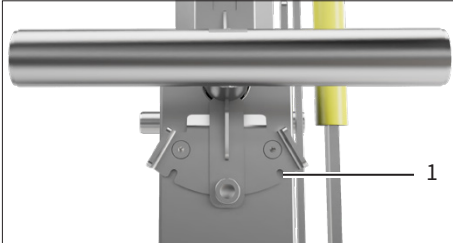
### 带排空管套件的过滤元件

- ▶ 若要把排空阀门驱动器安装在过滤元件的顶部：
  - ▶ 将阀门驱动器的锁定装置 (1) 向上拉, 并将阀门驱动器放在过滤器的顶部。
  - ▶ 顺时针旋转阀门驱动器, 直到锁定装置卡紧。
- ▶ 检查阀门驱动器的装配是否正确。不允许逆时针转动阀门驱动器。
  - ▶ 必要时: 重新组装阀门驱动器。
- ▶ 关闭阀门驱动器一次, 然后再次打开。
- ▶ 阀门驱动器连接到阀门的隔膜。



**带有 Inlet 和 Outlet 软管的过滤元件：**

- ▶ 若要把 Inlet 阀门驱动器安装在过滤元件的顶部：
  - ▶ 将阀门驱动器的锁定装置向上拉，并将阀门驱动器放在过滤器的顶部。
  - ▶ 顺时针旋转阀门驱动器，直到锁定装置卡紧。
- ▶ 检查阀门驱动器的装配是否正确。**不允许**逆时针转动阀门驱动器。
  - ▶ 必要时：重新组装阀门驱动器。
- ▶ 关闭阀门驱动器一次，然后再次打开。
- ▶ 阀门驱动器连接到阀门的隔膜。
- ▶ 可选：为了方便接触 Outlet 阀门，利用旋转功能将过滤器移到通风位置 (1)。
- ▶ 将 Outlet 阀门驱动器安装在过滤器的底部，操作方法与 Inlet 和排空阀门驱动器相同。



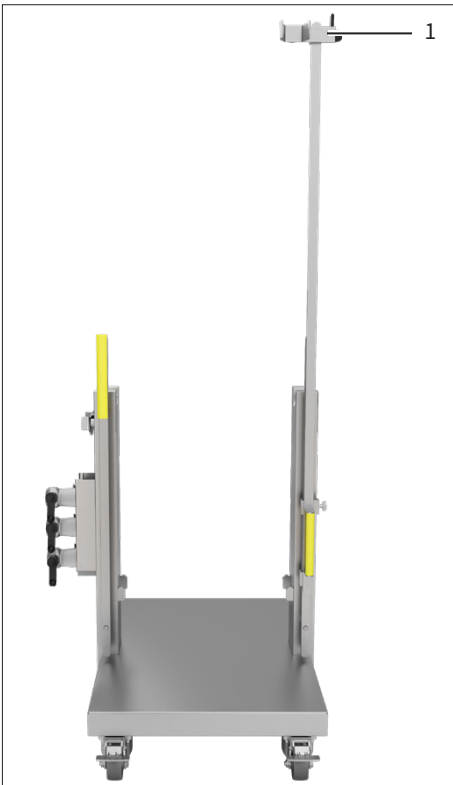
## 5.3 安装空气过滤器

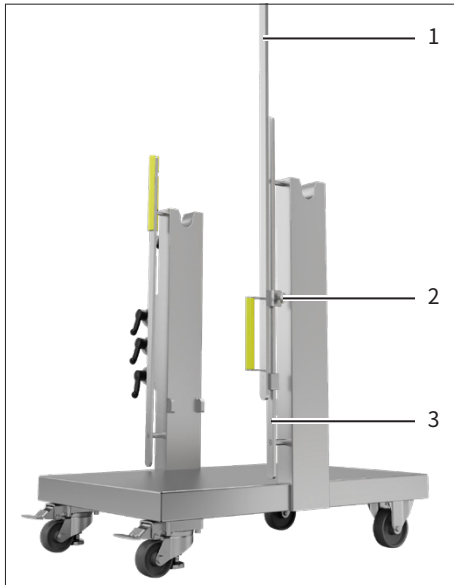
**前提条件**

调整空气过滤器支架，从而能够垂直安装空气过滤器（见章节“4.5 调整空气过滤器支架”，页数 244）。

**流程**

- ▶ 从塑料袋中取出有空气过滤器的软管，并拆除软管绑带。
- ▶ 检查排空软管上的管夹是否紧固。
  - ▶ 必要时：拧紧管夹。
- ▶ 将空气过滤器固定在空气过滤器支架 (1) 上。





- ▶ 若要将系统轨道调整到合适的高度。
  - ▶ 打开系统轨道延长件上的翼形螺丝 (2)。
  - ▶ 使用把手 (3) 将系统轨道延长件 (1) 向上移动。
  - ▶ 当达到所需的位置时, 拧紧翼形螺丝 (2)。
- ▶ 检查排空管套件**是否**弯曲, **是否**下垂。
  - ▶ 必要时: 纠正系统轨道的高度。

## 6 操作

### 6.1 填充和排空过滤器

#### 前提条件

- 过滤器处于过滤位置。
- 空气过滤器夹在空气过滤器支架上。
- 阀门驱动器已安装。

#### **⚠ 警示**

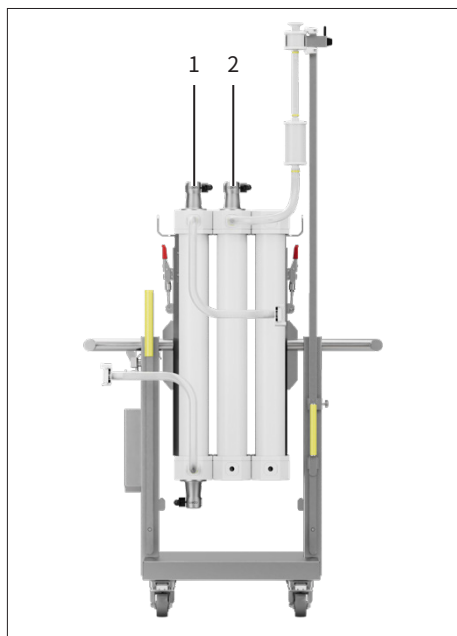
##### 液体溢出有受伤危险!

由于软管脱落或连接点的泄漏,可能会溢出液体。这样可能会造成人员受伤。

- ▶ 注意最大工作压力(见过滤器标签上的信息)。
- ▶ 如果使用高级排空管套件:检查 Tri-Clamp 是否紧固,必要时重新夹紧。
- ▶ 使用测量设备来监测压力。
- ▶ **不要在无人看管的情况下进行操作。**

#### 流程

- ▶ 将所有阀门驱动器调到 [close] 位置。
- ▶ 从塑料袋中取出 Inlet 软管,并拆除软管绑带。
- ▶ 连接 Inlet 软管(连接方法见连接器的说明)。
- ▶ 从塑料袋中取出 Outlet 软管,并拆除软管绑带。
- ▶ 连接 Outlet 软管(连接方法见连接器的说明)。
- ▶ 将 Inlet 阀门驱动器 (1) 和排空阀门驱动器 (2) 调到 [open] 位置。
- ▶ 开始填充过程。其中,注意最大体积流量为 5 L/min。
- ▷ 填充过滤器。
- ▶ **注意** 因接触到液体或泡沫而堵塞空气过滤器! 如果可视容器中开始填充液体或泡沫:停止体积流量。
- ▶ 使用旋转功能,缓慢地来回旋转过滤器几次。
- ▶ 必要时:用空气过滤器支架纠正系统导轨的高度,以避免弯折排空软管。
- ▷ 通过空气过滤器排出剩余的空气。
- ▶ 如果可视容器中的液体急剧下降:
  - ▶ 重新填充减少的体积流量。
  - ▶ 如果可视容器中开始填充液体或泡沫:停止体积流量。
- ▶ 将 Inlet 阀门驱动器调到 [close] 位置。
- ▶ 将排空阀门驱动器调到 [close] 位置。
- ▷ 填充和排空过滤器。



## 6.2 冲洗过滤器

### 前提条件

填充和排空过滤器。

### 警示

#### 液体溢出有受伤危险!

由于软管脱落或连接点的泄漏,可能会溢出液体。这样可能会造成人员受伤。

- ▶ 注意最大工作压力(见过滤器上的信息)。
- ▶ 如果使用高级排空管套件:检查 Tri-Clamp 是否紧固,必要时重新夹紧。
- ▶ 使用测量设备来监测压力。
- ▶ **不要在无人看管的情况下进行操作。**

### 流程

- ▶ 若要开始清洗:
  - ▶ 将 Inlet 阀门驱动器和 Outlet 阀门驱动器调到 [open] 位置。
  - ▶ 启动体积流量。
- ▶ 若要停止清洗:
  - ▶ 停止体积流量。
  - ▶ 将 Inlet 阀门驱动器和 Outlet 阀门驱动器调到 [close] 位置。

## 6.3 执行过滤

### 前提条件

- 完全排空过滤器。
- 可选:已经进行了过滤器完整性测试。
- Inlet 和 Outlet 软管已关闭。

### 警示

#### 液体溢出有受伤危险!

由于软管脱落或连接点的泄漏,可能会溢出液体。这样可能会造成人员受伤。

- ▶ 注意最大工作压力(见过滤器上的信息)。
- ▶ 如果使用高级排空管套件:检查 Tri-Clamp 是否紧固,必要时重新夹紧。
- ▶ 使用测量设备进行压力监测,如 Sartorius 传感器运输套件。
- ▶ **不要在无人看管的情况下进行操作。**

### 流程

- ▶ 若要启动过滤流程:
  - ▶ 检查排空阀门驱动器是否在 [close] 位置。
  - ▶ 将 Inlet 阀门驱动器调到 [open] 位置。
  - ▶ 将 Outlet 阀门驱动器调到 [open] 位置。
  - ▶ 启动过滤体积流量。
  - ▶ 过滤流程开始。
- ▶ 若要结束过滤流程:
  - ▶ 停止过滤体积流量。
  - ▶ 将 Inlet 阀门驱动器和 Outlet 阀门驱动器调到 [close] 位置。

## 6.4 执行过滤器完整性测试

在过滤过程之前和过滤过程之后,可以进行过滤器完整性测试:在 Maxicaps MR 的数据表中说明了过滤器完整性测试极限值和测试参数。

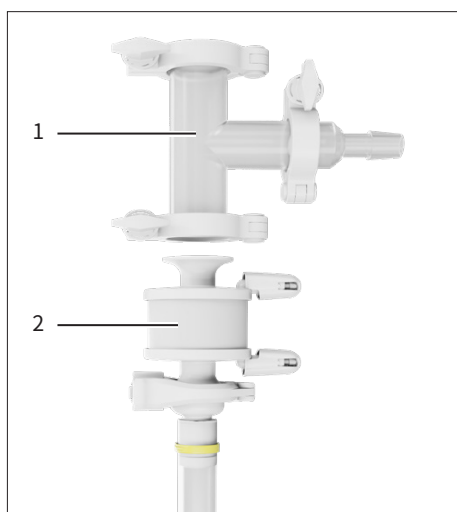
- 材料:
- Pressure Safety Device
  - Tri-Clamp ½
  - 过滤器完整性测试设备,例如 Sartocheck 5
  - 必要时:外部基准罐(净容量 > 13 L)

### 前提条件

- 过滤器适合进行过滤器完整性测试。
- Outlet 软管已减压。

### 流程

- ▶ 检查 3 个阀门驱动器是否都在 [close] 位置。
- ▶ 将带有空气过滤器支架的系统导轨延长件滑下,取出空气过滤器。
- ▶ 将空气过滤器 (2) 和 Pressure Safety Device (1) 连接到 Tri-Clamp 上。
- ▶ 将过滤器完整性测试设备连接到 Pressure Safety Device 上。
- ▶ 将可视容器夹在空气过滤器支架上。
- ▶ 确保没有软管扭结。
- ▶ 将过滤器移到排空位置。
- ▶ 将排空阀门驱动器和 Outlet 阀门驱动器调到 [open] 位置。
- ▶ 在过滤器完整性测试设备中定义参数(参数见章节 12.5, 页数 267)
- ▶ 启动过滤器完整性测试设备的扩散程序(见过滤器完整性测试设备的说明)。
- ▷ 排空过滤器。
- ▶ 当过滤器完整性测试结束后:
  - ▶ 将排空阀门驱动器调到 [close] 位置。
  - ▶ 将 Outlet 阀门驱动器调到 [close] 位置。
- ▶ 从 Pressure Safety Device 上卸下过滤器完整性测试设备。
- ▶ 从空气过滤器上卸下 Pressure Safety Device 并妥善保存。



## 6.5 排空过滤器

### 6.5.1 以重力方式排空过滤器。

#### 前提条件

- 过滤过程结束。
- 系统不处于压力下。

#### 流程

- ▶ 将过滤器移到排空位置。
- ▶ 必要时:用空气过滤器支架纠正系统导轨的高度,以避免弯折排空软管。
- ▶ 将排空阀门驱动器调到 [open] 位置。
- ▶ 将 Outlet 阀门驱动器调到 [open] 位置。
- ▷ 排空过滤器。
- ▶ 当没有液体从过滤器中流出时:将 Outlet 阀门驱动器和排空阀门驱动器调到 [close] 位置。



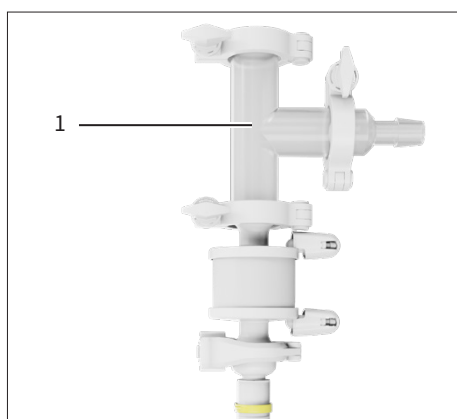
## 6.5.2 用压缩空气排空过滤器

### 前提条件

- 过滤过程结束。
- 系统**不**处于压力下。

### 流程

- ▶ 将带有空气过滤器支架的系统导轨延长件滑下，取出空气过滤器。
- ▶ 将空气过滤器和 Pressure Safety Device 连接到 Tri-Clamp 上。
- ▶ 将压缩空气供应装置连接到 Pressure Safety Device (1) 上。
- ▶ 检查 Inlet 阀门驱动器是否在 [close] 位置。
- ▶ 将过滤器移到排空位置。
- ▶ 将 Outlet 阀门驱动器调到 [open] 位置。
- ▶ 确保排空软管**没有**弯折。
- ▶ 将系统加压到最大 0.5 巴。
- ▶ 在最后排空过程中监测压力负荷。
- ▷ 排空过滤器。
  - ▶ 当没有液体从过滤器中流出时：
    - ▶ 关闭压缩空气供应装置。
    - ▶ 将排空阀门驱动器调到 [close] 位置。
    - ▶ 将 Outlet 阀门驱动器调到 [close] 位置。



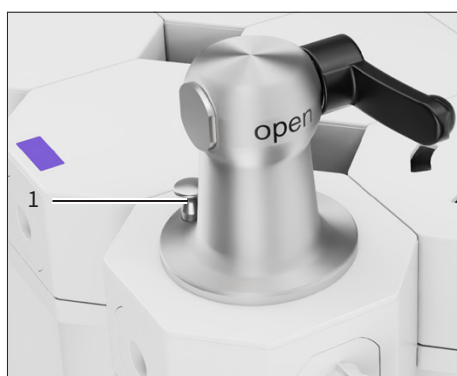
## 6.6 断开过滤器的接口与阀门驱动器的连接

### 前提条件

- 过滤过程结束。
- 过滤器已排空。
- 系统**不**处于压力下。

### 流程

- ▶ 将所有 3 个阀门驱动器调到 [open] 位置。
- ▶ 用 Clipster® 或 BioSealer® 将 Inlet 和 Outlet 软管分开。
- ▶ 松开 3 个阀门驱动器。其中，抬起锁定装置 (1)，逆时针旋转阀门驱动器，并将其取出。
- ▶ 将 3 个阀门驱动器放在小车的阀门支架上。



## 6.7 安装过滤器和提手, 不使用 Flexsafe® STR Lifting Device

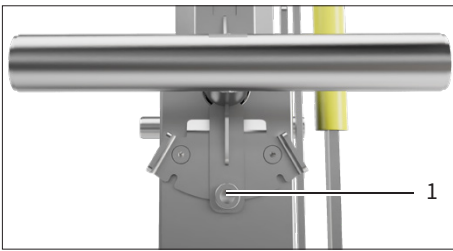
人员: 2人, 操作员

### 前提条件

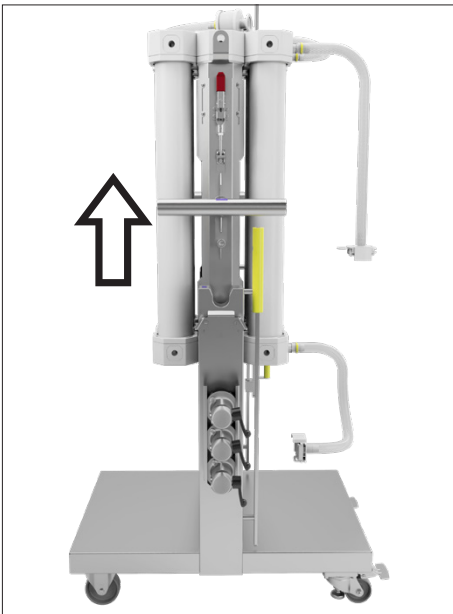
- 空气过滤器不在空气过滤器支架中。
- 过滤器的接口和阀门驱动器的连接断开。
- 过滤器处于过滤位置。

### 流程

- ▶ 松开旋转功能的锁定装置 (1)。

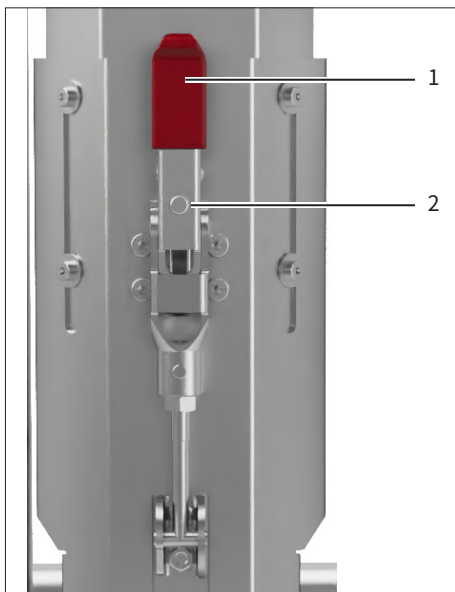


- ▶ 使用两个提手将过滤器元件从小车支架上往上取出, 并小心地将其放下。



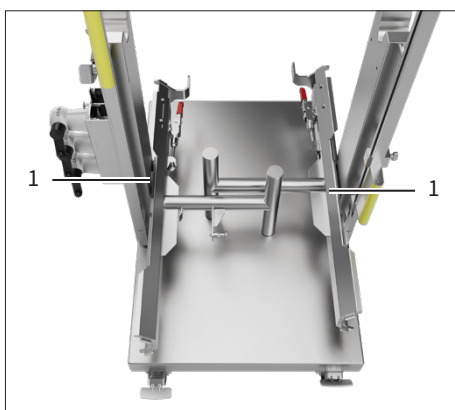
操作员 1:

- ▶ 握住过滤器。



操作员 2:

- ▶ **⚠ 警示** 转动控制杆 (1) 时有压伤手指的危险! 按下把手的锁扣 (2), 小心地将控制杆向下转动。
- ▶ 小心地将提手向上移出, 然后放下。
- ▶ 向上转动控制杆 (1)。
- ▷ 安全锁 (2) 卡紧。
- ▶ 用同样的方法拆除第二个把手。
- ▶ 废弃处理过滤器 (见章节“11 废弃处理”, 页数 264)。



- ▶ 将两个提手挂在小车内侧的两个支架 (1) 上。

## 6.8 用 Flexsafe® STR Lifting Device 拆除过滤器和提手

过滤过程结束后, 过滤器可能有很高的自重。建议使用 Sartorius Flexsafe® STR Lifting Device 运输过滤器。

人员: 2 人, 操作员

材料: Lifting Gear Maxicaps® MR 和 Flexsafe® STR Lifting Device

### 前提条件

- 空气过滤器**不在**空气过滤器支架中。
- 过滤器的接口和阀门驱动器的连接断开。
- 过滤器处于过滤位置。
- Lifting Gear 安装在 Flexsafe® STR Lifting Device 上 (见 Flexsafe® STR Lifting Device 说明书)。

**⚠ 警告**

由于系统部件掉落, 有受伤的危险!

- ▶ 遵守拆卸的方法。

**⚠ 警告**

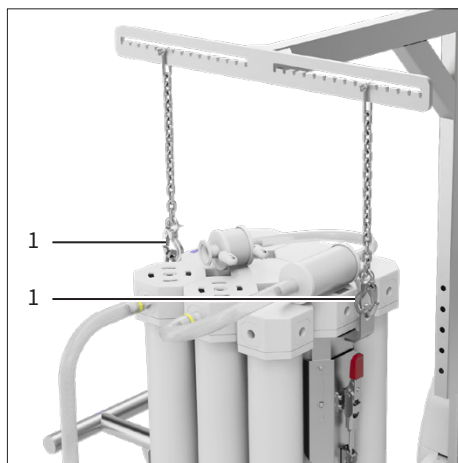
**Flexsafe® STR Lifting Device 有翻倒导致受伤的危险!**

如果超过了最大承载能力, 则 Flexsafe® STR Lifting Device 可能会翻倒。这样可能会造成人员受伤。

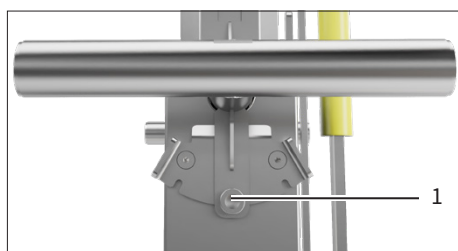
- ▶ 请注意 Flexsafe® STR Lifting Device 的最大承载能力(见 Flexsafe® STR Lifting Device 的承载能力图)。
- ▶ **只有在过滤器排空时才可以提升。**
- ▶ **只有当提手和小车之间的锁定装置松开时, 才能提升过滤器。**

**流程**

- ▶ 将 Flexsafe® STR Lifting Device 移到 Maxicaps® MR 的后面, 并将其定位, 使 Lifting Gear 尽可能地放在过滤器的中间。
- ▶ **⚠ 警告** 由于 Lifting Gear 的位置不正确, 有受伤的风险! 只能将 Lifting Gear 的 2 个钩子挂在提手的 2 个锚点(孔眼) (1) 上。
- ▶ 将 Lifting Gear 调整到过滤器的宽度。为此, 将链条移到 Lifting Gear 的一个合适的凹槽中。
- ▶ 建议: 链条应移入凹槽中, 使其与中心的距离尽可能相等。



- ▶ 用一只手松开旋转功能的锁定装置 (1)。
- ▶ 用第二只手稍稍抬起提手, 这样锁定装置就不会立即再次卡紧。



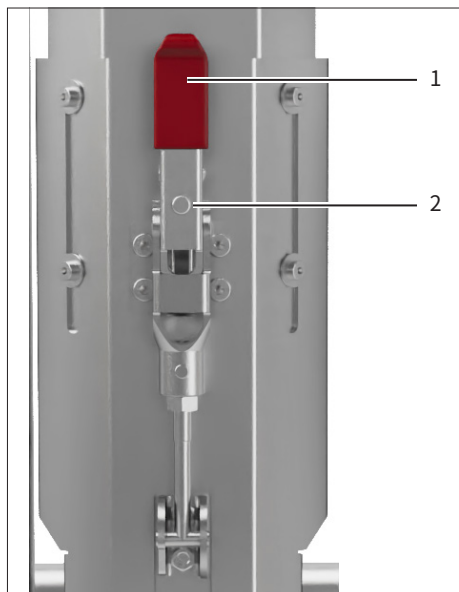
- ▶ 用 Flexsafe® STR Lifting Device 抬起过滤器, 直到过滤器可以提升到小车上。确保钩子不会被卡住。
- ▶ 在一个合适的位置放下过滤器。
- ▶ 必要时: 在放下过滤器时要纠正其位置, 使其不会放在 Flexsafe® STR Lifting Device 的支臂上。
- ▶ 将 Lifting Gear 的 2 个钩子从过滤器的锚点上松开。

操作员 1:

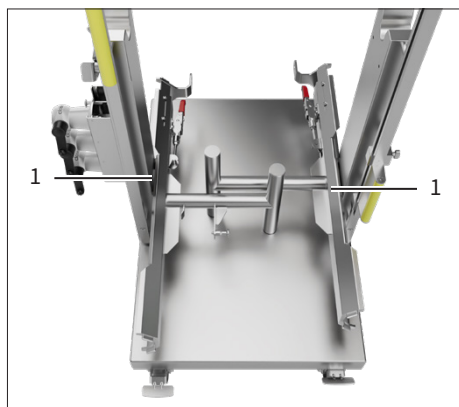
- ▶ 握住过滤器。

操作员 2:

- ▶ 按下安全锁 (2) 并向下转动控制杆 (1)。
- ▶ 小心地将提手向上移出, 然后放下。
- ▶ 向上转动控制杆 (1)。
- ▷ 安全锁 (2) 卡紧。
- ▶ 用同样的方法拆除第二个把手。
- ▶ 废弃处理过滤器 (见章节“11 废弃处理”, 页数 264)。



- ▶ 将两个提手挂在小车内侧的两个支架 (1) 上。



## 7 清洁

### 7.1 清洁小车和提手

#### 前提条件

过滤过程结束。

#### 流程

- ▶ 仅使用合适的清洁剂,并留意所用清洁剂的产品信息(清洁剂参见章节 12.11, 页数 268)。
- ▶ 用略湿的清洁布擦拭小车和提手。有较厚的污垢时使用温和的肥皂水或适当的清洁剂。

## 8 故障

故障	原因	排除	章节, 页码	目标群体
空气过滤器堵塞。	液体或泡沫进入了空气过滤器。	废弃处理过滤器。	11.1, 264	操作员
在过滤器完整性测试中 <b>没有</b> 形成压力。	Pressure Safety Device 中的安全膜板损坏	<ul style="list-style-type: none"> <li>– 废弃处理损坏的 Pressure Safety Device。</li> <li>– 使用一个新的 Pressure Safety Device。</li> </ul>		操作员
过滤器完整性测试 <b>没有</b> 通过。	过滤器的浸湿不足。	<ul style="list-style-type: none"> <li>– 再次冲洗过滤器。</li> <li>– 重复进行过滤器完整性测试。</li> </ul>	6.2, 255 和 6.4, 256	操作员
入口压力高于允许的工作压力。	Inlet 和   或 Outlet 阀门驱动器关闭。	Inlet 和   或 Outlet 阀门驱动器开启。		操作员
	空气过滤器堵塞。	废弃处理过滤器。		
	过滤器堵塞	废弃处理过滤器。		

## 9 运输

### 前提条件

- 过滤过程结束。
- 已拆开过滤器和提手。

---

### ⚠ 警示

#### 操作锁定制动器时有夹伤危险!

- ▶ 只能用脚来操作锁定制动器。
- ▶ 穿戴个人防护装备。

---

### ⚠ 警示

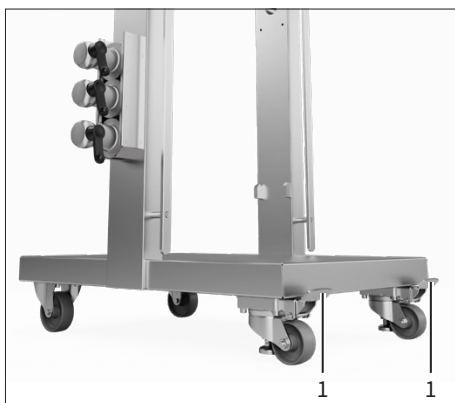
#### 手动移动系统时, 碾过身体部位会有压伤危险!

- ▶ **不要**将系统放在倾斜表面上
- ▶ 穿戴个人防护装备。

---

### 流程

- ▶ 将带有空气过滤器支架的系统轨道延长件推到最低位置。
- ▶ 松开运送滚轮的锁定制动器。为此用脚向上按压控制杆 (1)。
- ▶ 通过把手将小车移动到所需位置。



# 10 存放和运输

## 10.1 存放小车和提手

### 流程

- ▶ 清洁小车和提手。
- ▶ 根据环境条件存储设备 (参见章节12.4, 页数 267)。

## 10.2 退回设备和部件

损坏的部件可以退回给 Sartorius 公司。退回的部件必须干净、已消毒并有适当的包装。

由发送者承担运输损坏以及 Sartorius 公司对部件进行的后续清洗和消毒工作所产生的费用。

对于受到危害健康的危险物质 (例如, 有害的生物或化学物质) 污染的部件, **不能**送回维修和废弃处理。

### 流程

- ▶ 在退回产品前, 请与 Sartorius Service 联系, 以获得退回信息 (参见 [www.sartorius.com](http://www.sartorius.com))。
- ▶ 必须适当包装退回的部件。

# 11 废弃处理

## 11.1 对系统和部件进行废弃处理

此系统以及系统配件必须通过处理设备的专业处理。

### 前提条件

系统已消毒。

### 流程

- ▶ 按照国家规定废弃处理系统部件。
- ▶ 按照当地法规对包装进行废弃处理。



## 12 技术参数

### 12.1 重量

#### 12.1.1 过滤器重量

Maxicaps® MR	数值	不含包装的总干重*	含包装的总干重*	填充后的总重量	排空后的总重量(根据 2.5 巴时的 IT 测试)*
MR2	kg	7	9	14	8
MR3	kg	10	13	21	11
MR4	kg	12	15	27	14
MR5	kg	15	18	33	17
MR6	kg	18	21	41	21
MR7	kg	20	24	46	23
MR8	kg	23	27	52	27
MR9	kg	26	29	60	30

\* 应将这些数值理解为粗略的参考值。实际数值取决于多种因素(如过滤器批次、软管配置、排空时的液位),并可能与这里给出的数值有偏差。这些数值是以 Sartopore® 2; 0.2µm (入口和出口各 1.5m TuFlux® TPE + TC 连接器) 为例确定得出的

#### 12.1.2 多用途组件重量

	单位	数值
小车	kg	64
提手(每侧)	kg	4
阀门驱动器	kg	2
Lifting Gear + 支臂	kg	11

## 12.2 Maxicaps® MR 整体系统尺寸

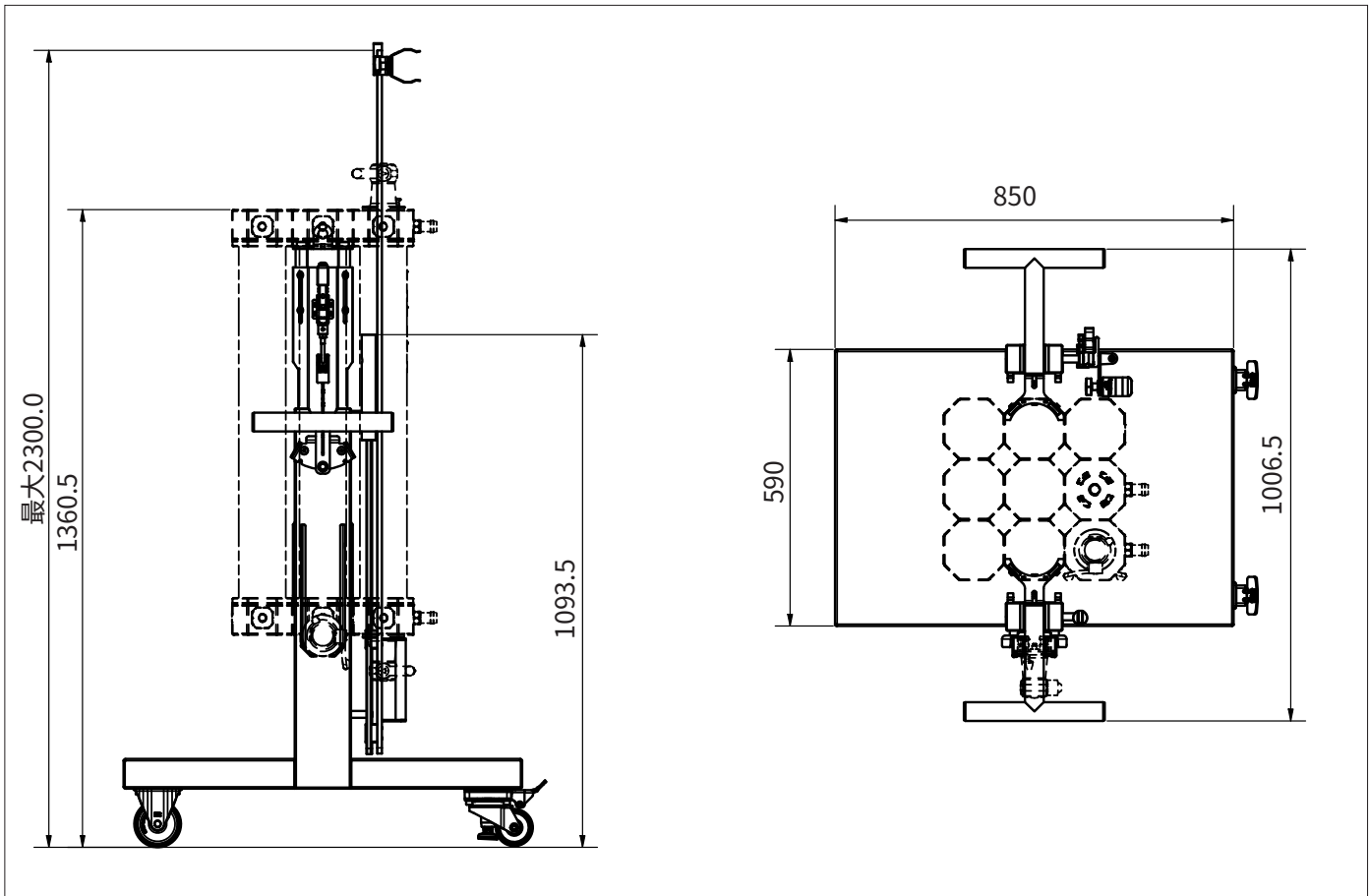


插图 10: 整体系统尺寸 (毫米)

## 12.3 过滤器总体积

Maxicaps® MR	数值	总体积 (Upstream Volume)
MR2	L	7
MR3	L	10
MR4	L	13
MR5	L	15
MR6	L	18
MR7	L	21
MR8	L	24
MR9	L	26

\* 应将这些数值理解为粗略的参考值, 并可能与这里给出的数值有偏差。这些数值是以 Sartopore® 2; 0.2µm (入口 | 和出口各 1.5m TuFlux® TPE + TC 连接器) 为例确定得出的

## 12.4 环境和储存条件

	单位	数值
温度		
运行、存放、运输	°C	+5 – +40
在过滤器完整性测试期间	恒定的环境温度	
相对空气湿度 (运行、存放、运输)	%	< 85

## 12.5 过滤器完整性测试参数

	单位	数值
允许的气体		压缩空气、氮气
最大压力*	巴	2.5
* 过滤器的具体测试参数见数据表		

## 12.6 用压缩空气排空过滤器的参数

	单位	数值
最大压力	巴	0.5

## 12.7 每个过滤器的最长工作时间

	单位	数值
时间	h	48
压力循环 (1 个压力循环= $\Delta p > 20\%$ )		500

## 12.8 小车和阀门驱动器和提手的使用寿命

	单位	数值
使用寿命	a	8

## 12.9 批准的过滤器

Maxicaps MR® 过滤器型号 FMRxxxxx\*

\* 取决于配置

## 12.10 多用途组件的材料

	材料
小车	不锈钢
提手	不锈钢

## 12.11 清洁剂和清洁方法

清洁剂
<b>不含</b> 腐蚀性或磨蚀性成分
<b>不含</b> 氯或氯成分
<b>不含</b> 溶剂
清洁方法
<b>不使用</b> 高压清洁器或蒸汽喷射清洁器
<b>无需</b> 用于清洁或消毒的喷雾程序

## 13 配件

该表格包含可订购配件的摘要。欲获得更多产品信息请联系 Sartorius 公司。

产品	数量	订单编号
Pressure Safety Device	1	26787---PS
Flexsafe® STR 500 - 1000 Lifting Device (Tawi 公司)	1	DZ-----LT2
Flexsafe® STR 2000 Lifting Device (Tawi 公司)	1	DZ-----LT1

## 14 Sartorius Service

Sartorius Service 乐意为您解答任何有关系统的问题。如需获得有关服务部门的地址、服务内容,以及本地联系人的信息,请访问 Sartorius 公司的网站 ([www.sartorius.com](http://www.sartorius.com))。

有关系统咨询以及发生故障时及时联络,请准备好系统信息如设备序列号,并告知 Sartorius Service。注意铭牌上的信息。

# 목차

1	설명서 소개 .....	272
1.1	적용 범위 .....	272
1.2	기타 관련 문서 .....	272
1.3	목표 집단 .....	272
1.4	사용된 기호 .....	273
1.4.1	사용 설명서에 있는 경고 표시 .....	273
1.4.2	기타 기호 .....	273
2	안전 지침 .....	274
2.1	용도 .....	274
2.1.1	시스템 개조 .....	274
2.1.2	직원 자격 .....	274
2.2	안전 장치 .....	275
2.3	시스템에 명시된 안전 정보 .....	275
2.4	액세서리 .....	275
2.5	개인 보호 장구 .....	275
2.6	필터 유닛 손상 .....	275
2.7	고중량 .....	276
2.8	리프팅 장비 .....	276
2.9	압력을 받는 배지 .....	276
2.10	시스템이 움직이는 경우 .....	276
2.11	시스템 전복 .....	276
3	시스템 설명 .....	277
3.1	시스템 개요 .....	277
3.2	리프팅 핸들이 있는 트롤리 .....	278
3.3	필터 유닛 .....	279
3.4	필터 유닛 레이블 .....	280
3.5	회전 기능 .....	281
3.6	밸브 액추에이터 .....	281
3.7	안전 장치 .....	282
3.8	시스템에 있는 기호 .....	283
4	설치 .....	284
4.1	설치 장소 선택 .....	284
4.2	포장 개봉 .....	284
4.2.1	트롤리 및 리프팅 핸들 포장 개봉 .....	284
4.2.2	Maxicaps® MR 필터 유닛 포장 개봉 .....	284
4.3	설치 장소에 트롤리 배치 및 고정 .....	285
4.4	시스템 레일 연장부 조립 .....	286
4.5	에어 필터 홀더 조정 .....	286
5	프로세스 준비 .....	287
5.1	Maxicaps® MR 조립 .....	287
5.1.1	필터 유닛에 리프팅 핸들 장착하기 .....	287
5.1.2	Flexsafe® STR Lifting Device가 없는 트롤리에 필터 유닛 장착하기 .....	289
5.1.3	Flexsafe® STR Lifting Device에 Lifting Gear 설치하기 .....	290
5.1.4	Flexsafe® STR Lifting Device가 있는 트롤리에 필터 유닛 장착하기 .....	291
5.2	밸브 액추에이터 조립 .....	293
5.3	에어 필터 조립 .....	294

6	작동	296
6.1	필터 유닛 보충 및 배기	296
6.2	필터 유닛 행구기	297
6.3	여과 실행	297
6.4	필터 무결성 테스트 실행	298
6.5	필터 유닛 비우기	299
6.5.1	중량 측정 방식으로 필터 유닛 비우기	299
6.5.2	압축공기를 이용하여 필터 유닛 비우기	299
6.6	필터 유닛의 연결부 및 밸브 액추에이터 분리	300
6.7	Flexsafe® STR Lifting Device 없이 필터 유닛 및 리프팅 핸들 장착하기	300
6.8	Flexsafe® STR Lifting Device를 이용하여 필터 유닛 및 리프팅 핸들 분해하기	302
7	청소	304
7.1	트롤리 및 리프팅 핸들 청소	304
8	오작동	304
9	운송	305
10	보관 및 배송	306
10.1	트롤리 및 리프팅 핸들 보관	306
10.2	시스템 및 부품 반송	306
11	폐기	306
11.1	시스템 및 부품 폐기	306
12	기술 데이터	307
12.1	무게	307
12.1.1	필터 유닛 무게	307
12.1.2	다회용 구성요소 무게	307
12.2	Maxicaps® MR 전체 시스템 치수	308
12.3	필터 유닛 총 용량	308
12.4	주변 및 보관 조건	309
12.5	필터 무결성 테스트 매개변수	309
12.6	압축공기를 이용한 필터 유닛 비우기의 매개변수	309
12.7	필터 유닛당 최대 작동 시간	309
12.8	트롤리 및 밸브 액추에이터 및 리프팅 핸들 수명	309
12.9	승인된 필터 유닛	309
12.10	다회용 구성요소 소재	310
12.11	세제 및 세척 절차	310
13	액세서리	311
14	Sartorius Service	311

# 1 설명서 소개

## 1.1 적용 범위

이 설명서는 시스템의 일부로, 끝까지 읽고 보관해야 합니다. 이 설명서는 다음과 같은 사양의 시스템에 적용됩니다.

시스템 및 액세서리	자재 번호
트롤리	FIA500010
리프팅 핸들	FIA500011
Lifting Gear	FIA500012
밸브 액추에이터	FIA500013
Pressure Safety Device	26787---PS
Maxicaps® MR 필터 유닛, 일회용	FMR5xxxxx*
* 구성에 따라 다름	

## 1.2 기타 관련 문서

- ▶ 본 사용 설명서 외에도 다음과 같은 문서에 유의하십시오.
  - 필터 무결성 테스트 장치(예: Sartocheck® 5) 설명서
  - TAWI 리프팅 장치(Flexsafe® STR Lifting Device) 설명서
  - 커넥터 설명서
  - Maxicaps® MR 데이터 시트

## 1.3 목표 집단

본 설명서는 다음과 같은 목표 집단을 대상으로 제작했습니다. 목표 집단은 기재된 내용을 숙지해야 합니다.

목표 집단	지식 및 자격
사용자	사용자는 시스템 조작 및 관련 작업 공정을 숙달해야 합니다. 사용자는 시스템을 사용한 작업 중 발생할 수 있는 위험을 인지하고, 이를 방지할 수 있어야 합니다.



## 1.4 사용된 기호

### 1.4.1 사용 설명서에 있는 경고 표시

#### 경고

방지하지 않을 경우 사망 또는 심각한 부상을 초래할 수 있는 위험을 나타냅니다.

#### 주의

방지하지 않을 경우 보통 수준의 부상이나 경상을 초래할 수 있는 위험을 나타냅니다.

#### **공지사항**

방지하지 않을 경우 물적 손상을 초래할 수 있는 위험을 나타냅니다.

### 1.4.2 기타 기호

- ▶ 취급 지침: 반드시 수행해야 하는 작업입니다. 작업은 순서에 따라 차례대로 수행해야 합니다.
- ▷ 결과: 수행한 작업의 결과입니다.

#### **본 사용 설명서에 포함된 그림**

시스템 구성에 따라 시스템의 그림과 인도된 시스템 간에 약간의 차이가 있을 수 있습니다. 본 사용 설명서에 있는 버전은 예시입니다.

## 2 안전 지침

### 2.1 용도

Maxicaps® MR은 수성 액체를 여과하고 필터 무결성 테스트를 실시하기 위한 시스템입니다. 이 시스템은 다회용 구성요소인 트롤리, 리프팅 핸들, 밸브 액추에이터 및 일회용 필터 유닛으로 구성됩니다. 일회용 필터 유닛은 시스템에 사용하기에 적합해야 합니다(승인된 필터 유닛은 12.9장, 309 페이지 참조).

시스템을 이용하여 다음과 같은 프로세스를 수행하면 **안** 됩니다.

- 안전 등급 3 또는 4(EU 2000/54/EC에 의거)에 해당하는 생물학적 물질을 이용하는 여과 프로세스
- GefStoffV(위험 물질 시행령)에 따른 위험 물질을 이용하는 여과 프로세스

시스템은 반드시 본 설명서에 기재된 용도로만 사용해야 합니다. 그 외의 사용은 **부적절한** 사용으로 간주됩니다.

#### 예측 가능한 오용

다음과 같은 사용은 허용되지 **않습니다**.

- 명시적으로 승인되지 않은 다른 프로세스에 사용
- 디딤판으로 사용
- 일회용 필터 유닛을 받침대로 사용
- 트롤리를 운반 카트로 사용
- 시스템을 가스 여과에 사용(예외: 필터 무결성 테스트)

#### 시스템 사용 조건

폭발 위험이 있는 환경에서는 본 시스템을 사용하지 **마십시오**. 본 시스템은 실내에서만 사용할 수 있습니다.

본 시스템은 장비와 함께 본 설명서의 기술 데이터 섹션에 명시된 운용 조건 하에서만 사용할 수 있습니다.

#### 2.1.1 시스템 개조

시스템을 개조할 경우: 사람이 위험에 처할 수 있습니다. 시스템별 문서 및 제품 승인이 효력을 상실할 수 있습니다.

시스템 개조에 관한 문의사항이 있으시면 Sartorius에 연락해 주십시오.

#### 2.1.2 직원 자격

시스템의 안전한 취급에 관한 지식이 충분하지 않은 사람은 본인과 다른 사람의 부상을 초래할 수 있습니다.

작업 수행 시 특정한 자격이 필요한 경우: 목표 집단이 지정되어 있습니다. 자격이 명시되지 **않은** 경우: “사용자” 목표 집단이 작업을 수행할 수 있습니다.

## 2.2 안전 장치

본 시스템의 안전 장치는 시스템에서 작업하는 사용자를 과압 등의 위험으로부터 보호합니다. 시스템의 안전 장치를 분해 또는 개조할 경우: 심한 부상을 입을 수 있습니다.

- ▶ 안전 장치를 분해, 개조하거나 작동 중단하지 **마십시오**(안전 장치는 3.7장, 282 페이지 참조).

## 2.3 시스템에 명시된 안전 정보

경고 표시, 안전 레이블 등의 기호는 시스템의 취급을 위한 안전 정보입니다. 안전 정보가 누락되거나 알아보기 어려운 경우, 기호를 인지하지 **못할** 수 있습니다. 이로 인해 사람이 부상을 입을 수 있습니다.

- ▶ 기호를 가리거나 제거 또는 변경하지 **마십시오**.
- ▶ 기호를 잘 알아보기 어려운 경우 교체하십시오.

## 2.4 액세서리

부적절한 액세서를 사용하는 경우 기능과 안전성이 저하되며, 다음과 같은 결과를 초래할 수 있습니다.

- 사용자의 부상 위험
- 시스템의 손상, 오작동 또는 고장

- ▶ Sartorius에서 승인한 9장, 305 페이지 및 안전한 액세서리만 사용하십시오.

## 2.5 개인 보호 장구

개인 보호 장구는 Maxicaps® MR 시스템과 필터 유닛에서 발생하는 위험으로부터 사용자를 보호합니다. 개인 보호 장구가 없거나 시스템에서의 작업 공정에 부적합한 경우: 부상을 입을 수 있습니다.

다음 개인 보호 장구를 착용해야 합니다.

- 보호용 작업복
- 보호장갑
- 보안경
- 안전화

## 2.6 필터 유닛 손상

필터 유닛은 충격으로 인해 손상될 수 있습니다(예: 전복 또는 충돌로 인해). 손상된 필터 유닛으로 인해 사람이 부상을 입을 수 있습니다.

- ▶ 충격을 받은 필터 유닛은 더 이상 사용하지 **말고** 폐기하십시오.

## 2.7 고중량

필터 유닛은 매우 무겁습니다. 필터 유닛을 들어올리거나 운반할 때 부상 위험이 있습니다(예: 필터 유닛이 떨어지는 경우).

- ▶ 필터 유닛을 들어올리고 운반할 때에는 다른 사람의 도움을 받으십시오.
- ▶ Sartorius는 필터 유닛을 들어 올리고 운반할 때 적절한 리프팅 장치를 사용하는 것을 권장합니다(예: Maxicaps® MR Lifting Gear).

## 2.8 리프팅 장비

필터 유닛 운반 시 리프팅 장비를 사용할 경우: 리프팅 장비를 잘못 사용하는 경우 심한 부상을 입을 수 있습니다(예: 필터 유닛이 떨어지는 경우).

- ▶ 적합한 개인 보호 장구를 착용하십시오.
- ▶ 리프팅 장비를 적절한 위치에 고정하십시오("9 운송"장, 305 페이지 참조).

## 2.9 압력을 받는 배지

시스템에 너무 높은 압력이 가해지면 튜브, 연결부 또는 다른 시스템 구성요소가 파열되어 부상을 입을 수 있습니다.

- ▶ 적합한 개인 보호 장구를 착용하십시오.
- ▶ 최대 작동 압력을 초과하면 **안** 됩니다(최대 작동 압력은 필터 유닛 레이블 참조).
- ▶ 압력 모니터링 장치를 사용합니다.
- ▶ 감독자 없이 액체 이송 프로세스를 수행하지 **마십시오**.

## 2.10 시스템이 움직이는 경우

트롤리가 움직이도록 잘못 설정된 경우: 트롤리로 인해 부상을 입을 수 있습니다.

- ▶ 시스템은 반드시 평평한 곳에 두십시오.
- ▶ 2개의 이동 바퀴 고정 브레이크를 작동합니다.

## 2.11 시스템 전복

시스템이 전복될 경우 중량이 커서 심한 부상을 입을 수 있습니다.

- ▶ 필터 유닛이 채워져 있는 경우 또는 여과 프로세스 중: 트롤리를 움직이지 **마십시오**.

## 3 시스템 설명

### 3.1 시스템 개요

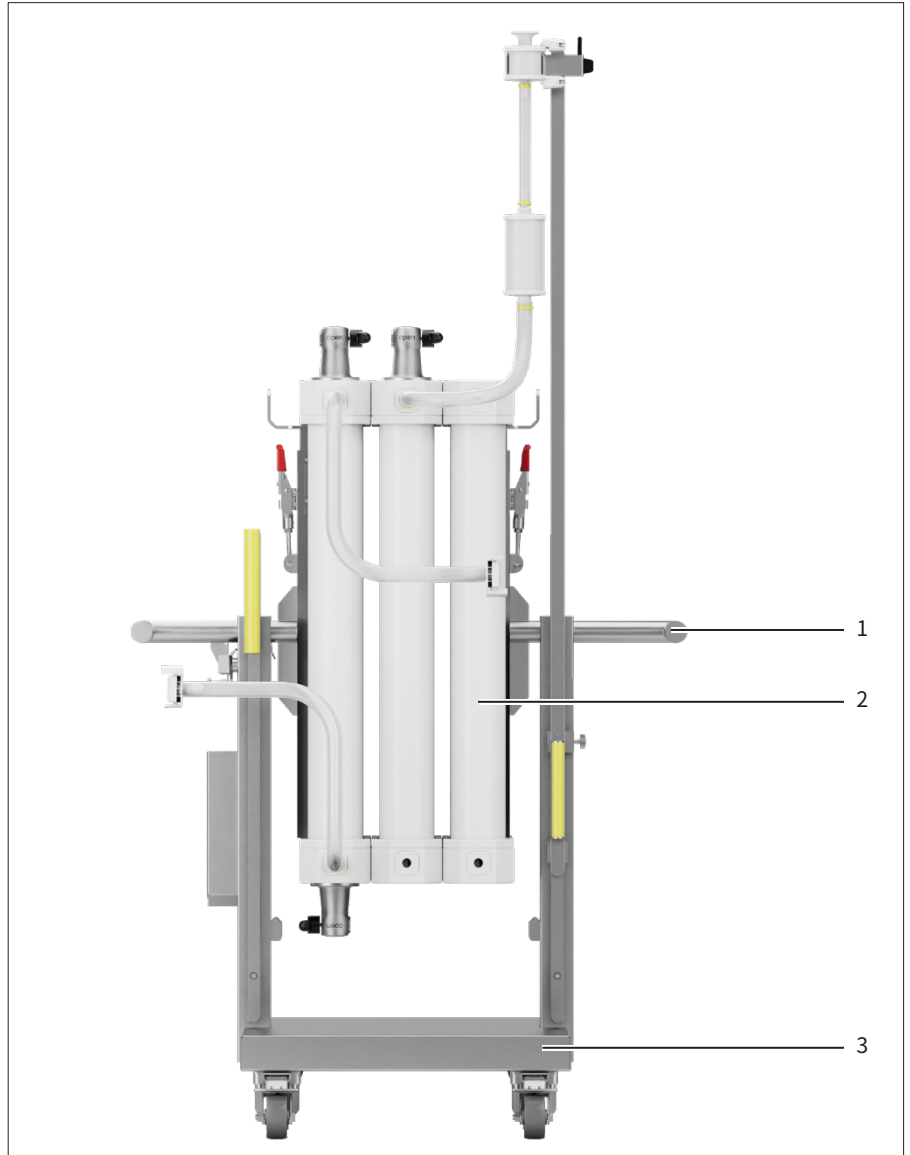


그림 1: Maxicaps® MR 시스템

위치	명칭	설명
1	리프팅 핸들	필터 유닛에 고정됩니다.
2	필터 유닛	
3	트롤리	

### 3.2 리프팅 핸들이 있는 트롤리

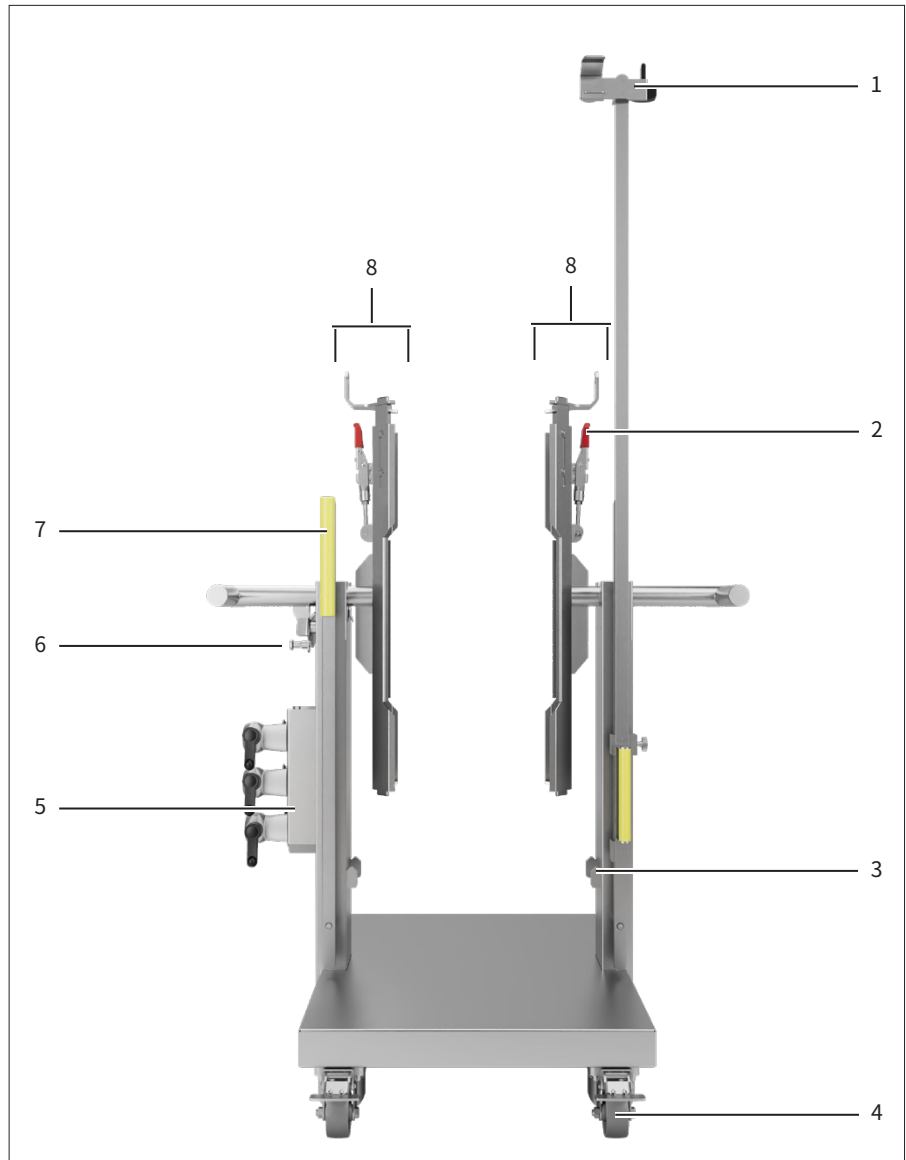


그림2: 리프팅 핸들이 장착된 트롤리

위치	명칭
1	에어 필터 홀더
2	필터 유닛 고정 장치
3	리프팅 핸들 홀더
4	이동 바퀴
5	밸브 액추에이터 홀더
6	회전 기능 잠금 장치
7	트롤리 핸들
8	리프팅 핸들

### 3.3 필터 유닛

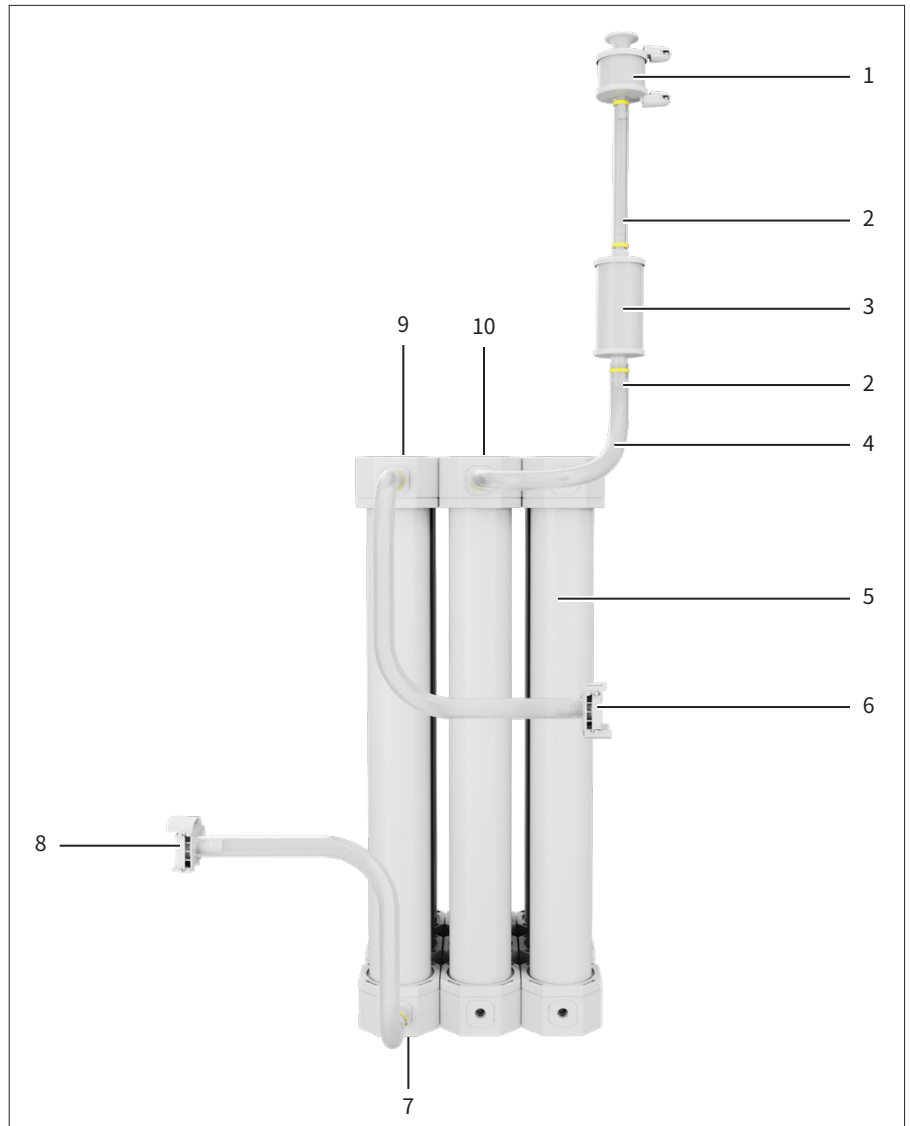


그림 3: 9개 구성 필터 유닛(예)

위치	명칭
1	에어 필터(Sartopore® Air)
2	관측유리 (Advanced 사양의 배기 튜브 세트만 해당)
3	투명 용기
4	배기 튜브 세트
5	필터 유닛
6	커넥터가 있는 Inlet 튜브(In)
7	Outlet 밸브
8	커넥터가 있는 Outlet 튜브(Out)
9	Inlet 밸브
10	배기 밸브

### 3.4 필터 유닛 레이블

필터 유닛 레이블에는 필터 유닛 Inlet 및 Outlet의 최대 작동 압력과 필터 무결성 테스트 시 최대 작동 압력이 정의되어 있습니다. 최대 작동 압력 정보는 필터 유닛의 구성에 따라 다릅니다.

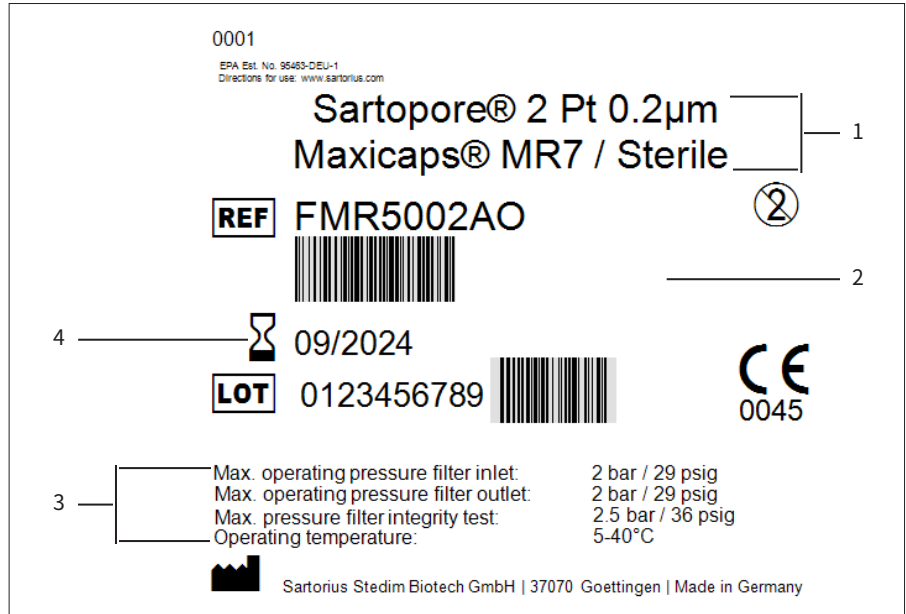


그림 4: 필터 유닛 레이블 예

위치	명칭
1	제품 정보
2	멸균 표시(멸균 사양에만 해당)
3	작동 매개변수
4	사용 기한



### 3.5 회전 기능

회전 기능을 이용하여 필터 유닛을 경사 위치로 조정할 수 있습니다. 회전 기능은 필터 유닛을 배기하거나 비울 때 사용할 수 있습니다.

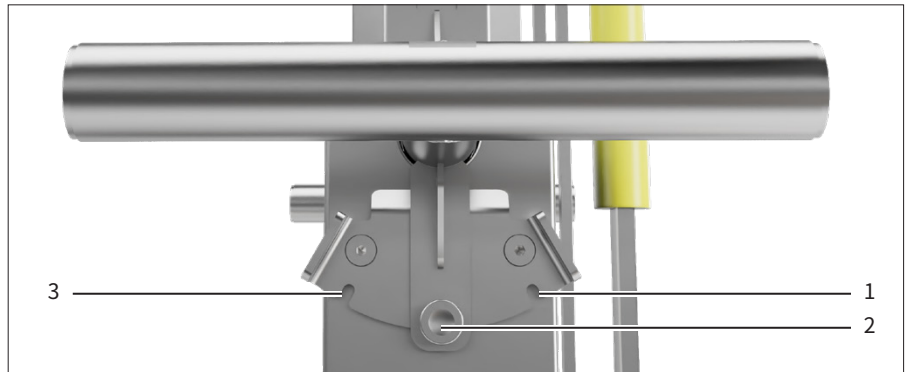


그림 5: 회전 기능 설정

위치	명칭	설명
1	배기 위치	필터 유닛이 왼쪽으로 약 30 회전했습니다.
2	여과 위치	필터 유닛이 수직으로 정렬되었습니다.
3	비우기 위치	필터 유닛이 오른쪽으로 약 30 회전했습니다.

### 3.6 밸브 액추에이터

3개의 밸브 액추에이터는 필터 유닛의 밸브를 열고 닫는 데 사용됩니다. 밸브 액추에이터가 필터 유닛에 장착되어 있어야 합니다.

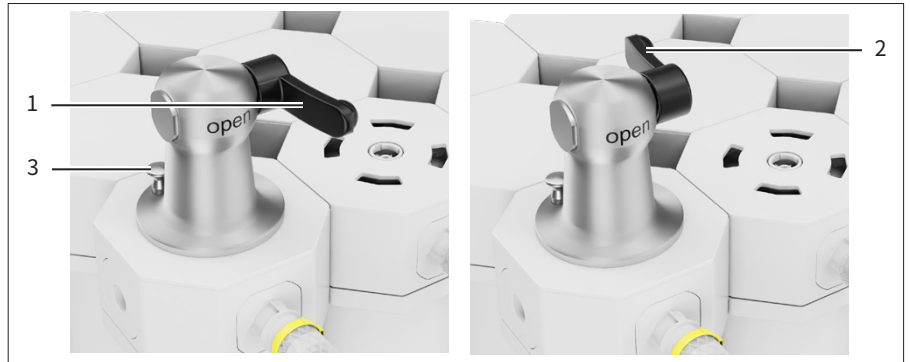


그림 6: 밸브 액추에이터

위치	명칭	설명
1	밸브 액추에이터 [open]	밸브 액추에이터 레버가 [open] 방향을 가리킵니다. 필터 유닛의 밸브가 열려 있습니다.
2	밸브 액추에이터 [close]	밸브 액추에이터 레버가 [close] 방향을 가리킵니다. 필터 유닛의 밸브가 닫혀 있습니다.
3	밸브 액추에이터 고정 장치	밸브 액추에이터를 고정하는 데 사용됩니다.

### 3.7 안전 장치


Pressure Safety Device(파열 디스크가 있는 압력 안전 장치)는 필터 무결성 테스트 중 그리고 압축공기를 이용한 비우기 프로세스 중 2.5 bar가 넘는 과압 + 0.5 bar의 안전 허용 오차로 인한 손상으로부터 시스템을 보호합니다. Pressure Safety Device는 에어 필터와 필터 무결성 테스트 장치 또는 압축공기 연결부 사이에 장착됩니다.



그림 7: Pressure Safety Device

위치	명칭
1	연결부(예: 필터 무결성 테스트 장치 또는 에어 필터용)
2	파열 디스크(내장됨)

### 3.8 시스템에 있는 기호

기호	의미
<p style="text-align: center;"><b>SARTORIUS</b></p> <p>Attention! Check that sanitary clamps are fitted securely. If necessary, retighten clamps. Do not operate without installing valve drives. Do not exceed max. operating pressure or temperature. Use pressurized gas only with an installed pressure safety device.</p>	<p>참고</p> <p>위생 클램프(Advanced 배기 튜브 세트만 해당)가 단단히 조여졌는지 확인하고 필요한 경우 추가로 조입니다.</p> <p>밸브 액추에이터가 설치되지 않은 상태에서 시스템을 사용하지 <b>마십시오</b>.</p> <p>최대 작동 압력 및 온도를 초과하지 <b>마십시오</b>.</p> <p>압축공기는 Pressure Safety Device가 설치된 경우에만 사용하십시오.</p>
	<p>손 부상: 리프팅 핸들의 레버를 돌릴 때 끼임 위험</p>

## 4 설치

### 4.1 설치 장소 선택

#### 절차

- ▶ 설치 조건이 충족되었는지 확인하십시오.

조건	특징
주변 조건	적합성 검증됨(12.4장, 309 페이지 참조)
설치 표면	<ul style="list-style-type: none"> <li>- 안정적이고 편평함</li> <li>- 진동이 적음</li> <li>- 시스템에 맞는 충분한 공간(기기 공간 요건은 12.2장, 308 페이지 참조)</li> <li>- 시스템을 사용하기에 충분한 지지용량, 채워진 상태 포함(12.1장, 307 페이지 참조)</li> </ul>

### 4.2 포장 개봉

#### 4.2.1 트롤리 및 리프팅 핸들 포장 개봉

#### 조건

2개의 이동 바퀴 고정 브레이크가 활성화되어 있습니다.

#### 절차

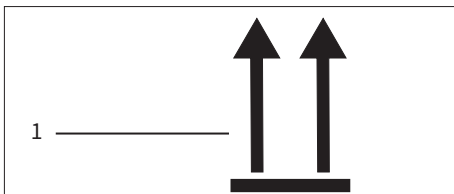
- ▶ 운반 포장을 제거합니다.
- ▶ 관할 지역의 규정에 따라 운반 포장을 폐기합니다.

#### 4.2.2 Maxicaps® MR 필터 유닛 포장 개봉

작업자: 2명, 사용자

#### 절차

- ▶ 상자의 화살표(1)가 위를 향하도록 상자를 정렬합니다.
- ▶ 상자의 뒷부분을 엽니다.
- ▶ 베임 방지 판지를 제거합니다.



사용자 1 및 2:

- ▶ **공지사항** 잘못된 취급으로 인해 필터 유닛이 손상될 수 있습니다!
  - ▶ 튜브 또는 플라스틱 백을 잡고 필터 유닛을 들어올리지 **마십시오**.
  - ▶ 필터 유닛은 항상 필터 하우징을 잡고 들어올려 상자에서 꺼내십시오.
- ▶ 필터 유닛을 내려놓습니다.
- ▶ 이차 백을 열고 제거합니다.
- ▶ 일차 백을 열고 제거합니다.
- ▶ 관할 지역의 규정에 따라 포장재를 폐기합니다.

## 4.3 설치 장소에 트롤리 배치 및 고정

### ⚠ 주의

**고정 브레이크 사용 중 끼여서 눌릴 위험이 있습니다!**

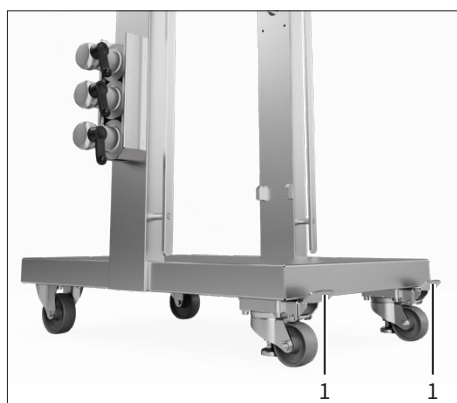
- ▶ 고정 브레이크는 발로만 작동하십시오.
- ▶ 개인 보호 장구를 착용하십시오.

### ⚠ 주의

**시스템을 직접 운반할 때 신체 일부가 깔려서 골절될 위험이 있습니다!**

- ▶ 경사면 위에 시스템을 두지 **마십시오**
- ▶ 개인 보호 장구를 착용하십시오.

### 절차

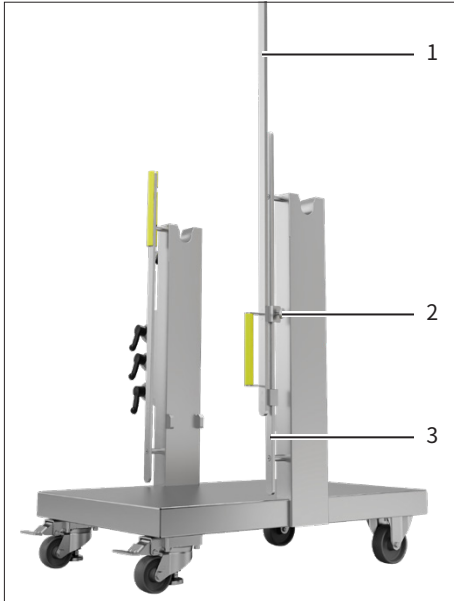


- ▶ 이동 바퀴의 고정 브레이크가 활성화된 경우: 이동 바퀴의 고정 브레이크를 해제합니다. 이때 발로 레버(1)를 위로 젖힙니다.
- ▶ 원하는 위치에 시스템을 배치합니다.
- ▶ 이동 바퀴의 고정 브레이크를 활성화합니다. 이때 발로 레버를 아래로 누릅니다.
- ▷ 트롤리가 고정됩니다.

## 4.4 시스템 레일 연장부 조립

### 절차

- ▶ 시스템 레일 연장부의 나비나사(2)를 엽니다.
- ▶ 시스템 레일 연장부(1)를 위에서부터 시스템 레일의 고정부(3)로 밀어 넣습니다.
- ▶ 시스템 레일 연장부를 고정하려면: 시스템 레일 연장부의 나비나사(2)를 닫습니다.

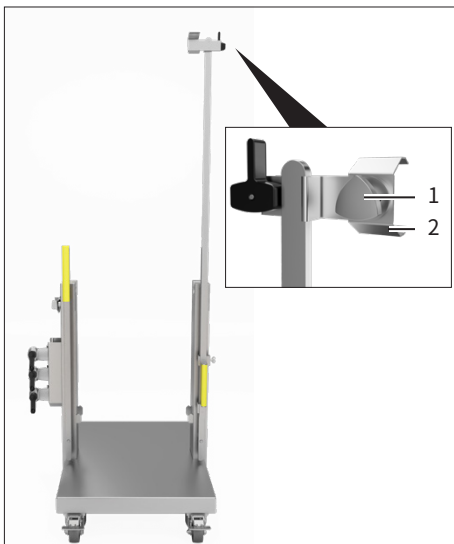


## 4.5 에어 필터 홀더 조정

에어 필터가 수직 위치에 고정되도록 에어 필터 홀더의 에어 필터 클램프를 한 번 90° 돌려야 합니다.

### 절차

- ▶ 에어 필터 클램프의 핸들 나사(1)를 풉니다.
- ▶ 에어 필터 클램프(2)를 90° 돌립니다.
- ▶ 에어 필터 클램프의 핸들 나사를 단단히 조입니다.



## 5 프로세스 준비

### 5.1 Maxicaps® MR 조립

조립은 9개의 필터 유닛(MR9)이 포함된 필터 부품으로 예시됩니다.

#### 5.1.1 필터 유닛에 리프팅 핸들 장착하기

필터 유닛(MR2 ~ MR9)의 구성에 따라 리프팅 핸들을 필터 유닛의 여러 위치에 장착해야 합니다. 리프팅 핸들 및 필터 유닛에 있는 색상 표시는 올바른 위치를 나타냅니다.

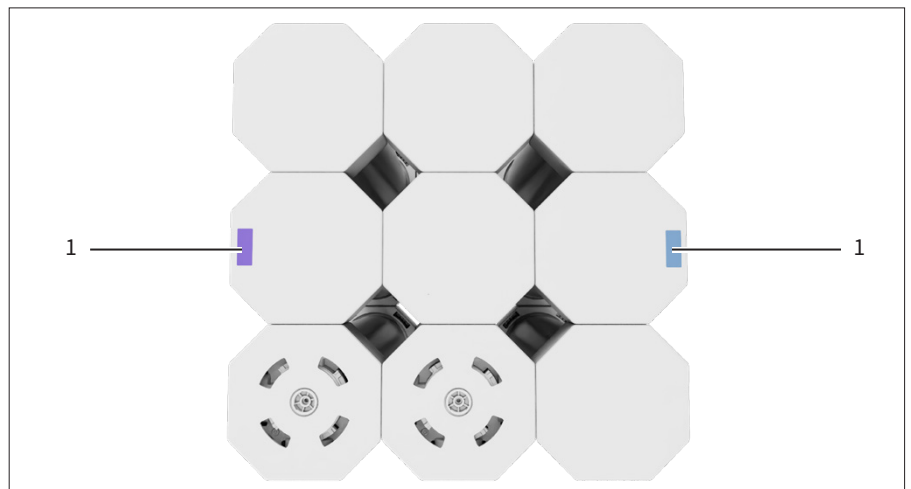


그림 8: 필터 유닛 색상 표시 - 위에서 본 모습

위치	명칭	설명
1	필터 유닛 색상 표시	<ul style="list-style-type: none"> <li>리프팅 핸들의 올바른 장착 위치를 나타냅니다.</li> <li>리프팅 핸들의 색상 표시가 필터 유닛의 색상 표시와 들어맞아야 합니다.</li> </ul>

작업자: 2명, 사용자

#### 조건

필터 유닛의 포장 제거되었습니다.

**절차**

- ▶ 필터 유닛을 똑바로 세웁니다.
- ▷ 배기 및 Inlet 튜브 세트는 위쪽에 있습니다. 필터 유닛에 있는 유량 표시 화살표는 바닥 방향을 가리킵니다.

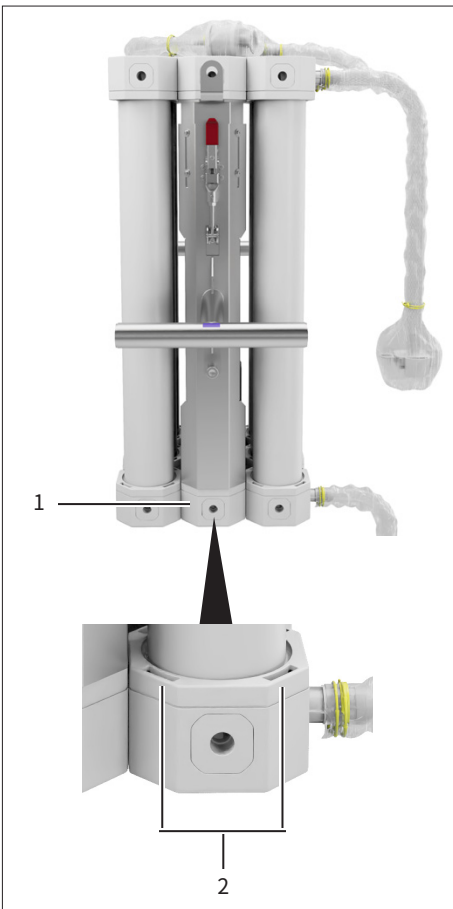


**사용자 1:**

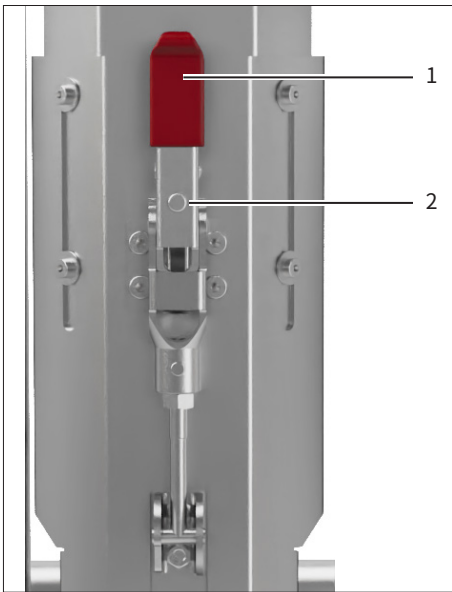
- ▶ 필터 유닛을 단단히 잡습니다.

**사용자 2:**

- ▶ 보라색 표시가 있는 리프팅 핸들을 설치하려면:
  - ▶ 보라색 표시가 있는 필터 유닛의 측면을 선택합니다
  - ▶ Outlet Plate(1)의 개구부(2)에 리프팅 핸들을 끼웁니다.







- ▶ ⚠ **주의** 레버(1)를 돌릴 때 손가락이 끼일 수 있습니다! 핸들의 잠금 장치(2)를 누르고 레버를 조심스럽게 아래로 돌립니다.
  - ▶ 리프팅 핸들을 필터 부품에 밀착시킵니다.
  - ▶ 레버(1)를 위쪽으로 돌립니다.
  - ▶ 잠금 장치(2)가 고정됩니다.
  - ▶ 리프팅 핸들을 장착할 수 없거나 큰 힘을 가해야만 장착할 수 있는 경우, 리프팅 핸들의 위치를 점검하고 필요한 경우 조정합니다.
- ▶ 청록색 표시가 있는 리프팅 핸들도 동일한 방식으로 장착합니다.

### 5.1.2 Flexsafe® STR Lifting Device가 없는 트롤리에 필터 유닛 장착하기

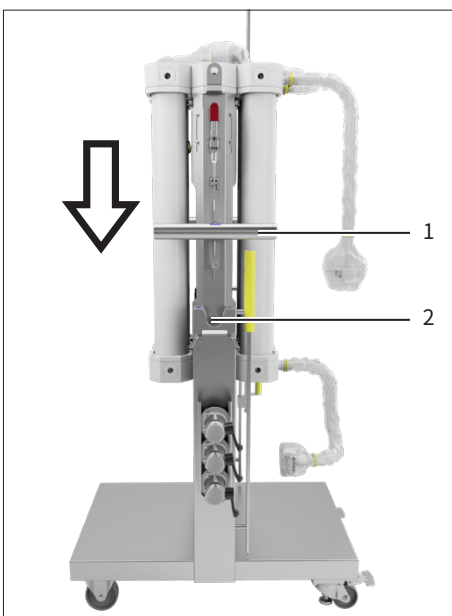
작업자: 2명, 사용자

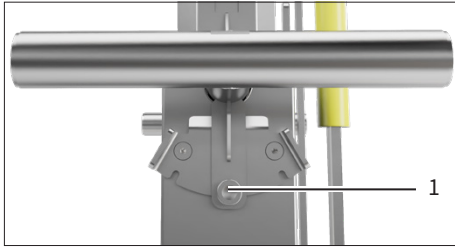
#### 조건

리프팅 핸들이 필터 유닛에 장착되어 있습니다.

#### 절차

- ▶ 리프팅 핸들의 색상 표시가 트롤리의 색상 표시와 들어맞도록 리프팅 핸들과 필터 부품을 정렬합니다.
- ▶ 양쪽 리프팅 핸들(1)을 이용하여 필터 부품을 들어올린 후 트롤리의 홈(2)에 삽입합니다.

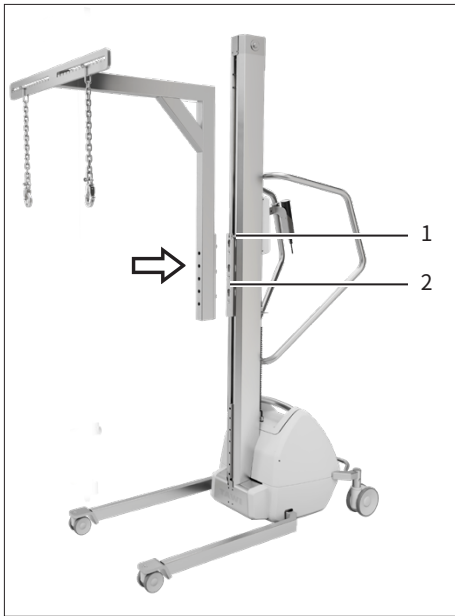




- ▶ 회전 기능 잠금 장치가 여과 위치(1)에 고정되었는지 확인합니다.

### 5.1.3 Flexsafe® STR Lifting Device에 Lifting Gear 설치하기

#### 절차



- ▶ Flexsafe® STR Lifting Device의 연결 부품(2)에 Lifting Gear를 끼웁니다.
- ▶ 안전 볼트(1)가 고정되었는지 확인합니다.

### 5.1.4 Flexsafe® STR Lifting Device가 있는 트롤리에 필터 유닛 장착하기

작업자: 2명, 사용자

준비물: Maxicaps® MR Lifting Gear 및 Flexsafe® STR Lifting Device



그림9: Lifting Gear

위치	명칭	설명
1	후크	Lifting Gear를 필터 유닛의 고정점에 고정하는 데 사용 됩니다.
2	설정 범위	필터 유닛의 너비에 맞게 조정하는 데 사용됩니다.

#### 조건

- 리프팅 핸들이 필터 유닛에 장착되어 있습니다.
- 에어 필터 홀더가 있는 시스템 레일이 뒤쪽을 향해 정렬되도록 트롤리가 배치되어 있습니다.
- 고정 브레이크가 활성화되어 있습니다.

#### ⚠ 경고

##### 떨어지는 시스템 부품으로 인한 부상 위험!

- ▶ 조립 시 절차에 유의하십시오.

#### ⚠ 경고

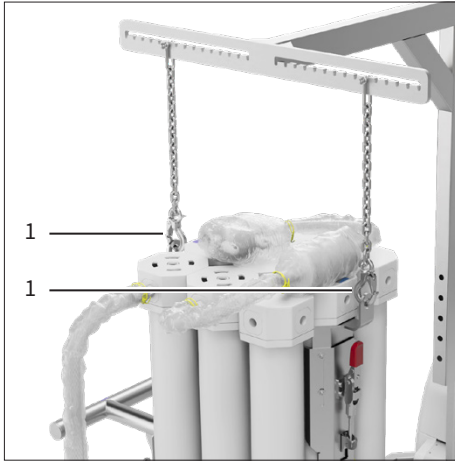
##### Flexsafe® STR Lifting Device의 전복으로 인한 부상 위험!

최대 하중을 초과하는 경우 Flexsafe® STR Lifting Device가 전복될 수 있습니다. 이로 인해 사람이 부상을 입을 수 있습니다.

- ▶ Flexsafe® STR Lifting Device의 최대 하중에 유의하십시오(Flexsafe® STR Lifting Device의 하중 다이어그램 참조).

절차

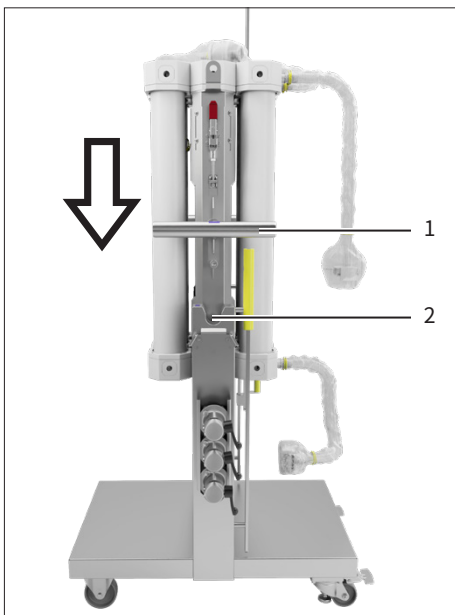
- ▶ 리프팅 핸들의 색상 표시가 트롤리의 색상 표시와 들어맞도록 트롤리 앞에서 리프팅 핸들과 필터 부품을 정렬합니다.
- ▶ Flexsafe® STR Lifting Device를 필터 유닛 위에 배치합니다.
- ▶ **⚠ 경고** 떨어지는 필터 유닛으로 인한 부상 위험! 2개의 Lifting Gear 후크는 반드시 리프팅 핸들에 있는 2개의 고정점(아일릿)(1)에 거십시오.



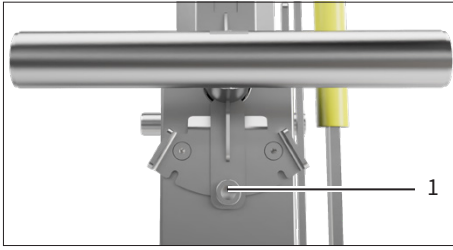
- ▶ Lifting Gear를 필터 유닛의 너비에 맞게 조정합니다. 이를 위해 Lifting Gear의 조정 범위 내에서 적절한 홈에 체인을 밀어 넣습니다.
- ▶ 권장 사항: 체인은 중앙까지의 거리가 가능한 한 동일하도록 홈에 밀어 넣어야 합니다.



- ▶ Flexsafe® STR Lifting Device를 이용하여 필터 유닛을 위로 들어올립니다.
- ▶ Flexsafe® STR Lifting Device를 트롤리에 접근시킨 후 트롤리 위에 배치합니다.



- ▶ 필터 유닛을 천천히 내립니다. 2개의 리프팅 핸들(1)을 트롤리의 홈(2)에 삽입합니다.



- ▶ 회전 기능 잠금 장치를 여과 위치(1)에 고정합니다.
- ▶ 2개의 Lifting Gear 후크를 필터 유닛의 고정점에서 분리합니다.

## 5.2 밸브 액추에이터 조립

필터 유닛에는 3개의 밸브 액추에이터가 장착됩니다.

- 필터 유닛 상단부에 있는 Inlet 밸브 액추에이터는 Inlet 밸브를 열고 닫습니다.
- 필터 유닛 상단부에 있는 배기 밸브 액추에이터는 배기 밸브를 열고 닫습니다.
- 필터 유닛 하단부에 있는 Outlet 밸브 액추에이터는 Outlet 밸브를 열고 닫습니다.

### 공지사항

**밸브 액추에이터를 여러 번 장착하면 필터 유닛의 내부 밸브가 손상될 수 있습니다!**

- ▶ 밸브 액추에이터는 필터 부품의 동일한 밸브에 최대 3회 장착할 수 있습니다.

### 조건

3개의 밸브 액추에이터가 [open] 위치에 있습니다.

### 절차

- ▶ 3개의 밸브 액추에이터를 밸브 홀더에서 분리합니다.

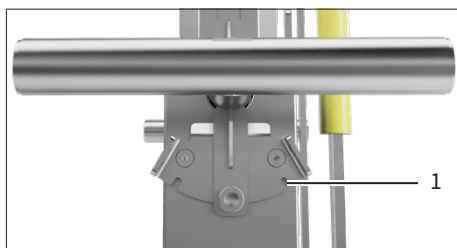
### 배기 튜브 세트가 있는 필터 부품

- ▶ 필터 부품 상단부에 배기 밸브 액추에이터를 장착하려면:
  - ▶ 밸브 액추에이터 고정 장치(1)를 위로 당긴 후 밸브 액추에이터를 필터 유닛 상단부에 배치합니다.
  - ▶ 고정 장치가 체결될 때까지 밸브 액추에이터를 시계 방향으로 돌립니다.
- ▶ 밸브 액추에이터가 올바르게 장착되었는지 확인합니다. 밸브 액추에이터가 시계 반대 방향으로 돌아가면 **안** 됩니다.
  - ▶ 필요한 경우: 밸브 액추에이터를 다시 장착합니다.
- ▶ 밸브 액추에이터를 한 번 닫은 다음 다시 엽니다.
- ▶ 밸브 액추에이터가 밸브의 멤브레인과 연결됩니다.



### Inlet 및 Outlet 튜브가 있는 필터 부품:

- ▶ 필터 부품 상단부에 Inlet 밸브 액추에이터를 장착하려면:
  - ▶ 밸브 액추에이터 고정 장치를 위로 당긴 후 밸브 액추에이터를 필터 유닛 상단부에 배치합니다.
  - ▶ 고정 장치가 체결될 때까지 밸브 액추에이터를 시계 방향으로 돌립니다.
- ▶ 밸브 액추에이터가 올바르게 장착되었는지 확인합니다. 밸브 액추에이터가 시계 반대 방향으로 돌아가면 **안** 됩니다.
  - ▶ 필요한 경우: 밸브 액추에이터를 다시 장착합니다.
- ▶ 밸브 액추에이터를 한 번 닫은 다음 다시 엽니다.
- ▷ 밸브 액추에이터가 밸브의 멤브레인과 연결됩니다.
- ▶ 옵션: Outlet 밸브에 더 쉽게 접근하려면 회전 기능을 이용하여 필터 유닛을 배기 위치(1)로 이동합니다.
- ▶ Outlet 밸브 액추에이터를 필터 유닛 하단부에 장착하려면 Inlet 및 배기 밸브 액추에이터와 동일한 방식으로 진행합니다.



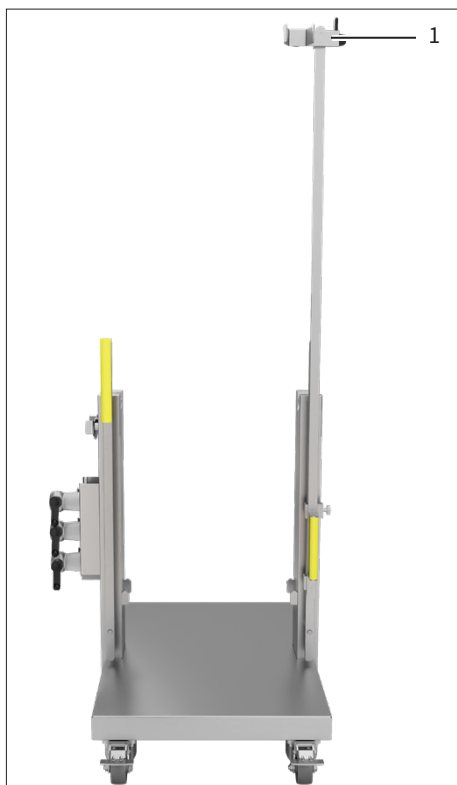
## 5.3 에어 필터 조립

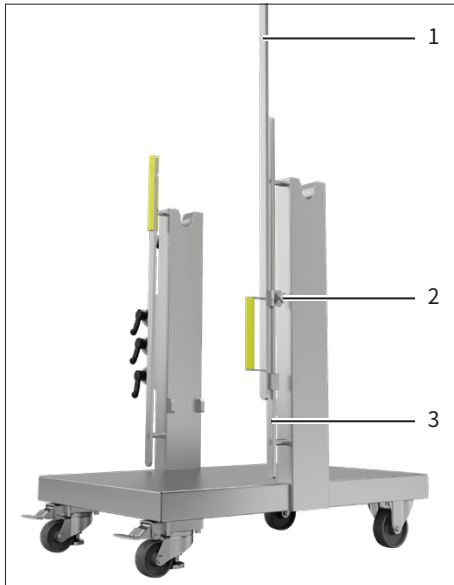
### 조건

에어 필터를 수직으로 장착할 수 있도록 에어 필터 홀더가 조정되어 있습니다("4.5 에어 필터 홀더 조정"장, 286 페이지 참조).

### 절차

- ▶ 튜브를 에어 필터와 함께 플라스틱 백에서 꺼낸 후 케이블 바인더를 제거합니다.
- ▶ 배기 튜브의 클램프가 단단히 고정되었는지 확인합니다.
  - ▶ 필요한 경우: 클램프를 단단히 조입니다.
- ▶ 에어 필터를 에어 필터 홀더(1)에 고정합니다.





- ▶ 시스템 레일을 적절한 높이로 조정하려면:
  - ▶ 시스템 레일 연장부의 나비나사(2)를 엽니다.
  - ▶ 핸들(3)을 이용하여 시스템 레일 연장부(1)를 위로 밀니다.
  - ▶ 원하는 위치에 도달하면 나비나사(2)를 돌려 조입니다.
- ▶ 배기 튜브 세트가 꼬이지 **않았는지** 그리고 늘어지지 **않았는지** 확인합니다.
  - ▶ 필요한 경우: 시스템 레일의 높이를 조정합니다.

## 6 작동

### 6.1 필터 유닛 보충 및 배기

#### 조건

- 필터 유닛이 여과 위치에 있습니다.
- 에어 필터가 에어 필터 홀더에 고정되어 있습니다.
- 밸브 액추에이터가 장착되어 있습니다.

#### ⚠ 주의

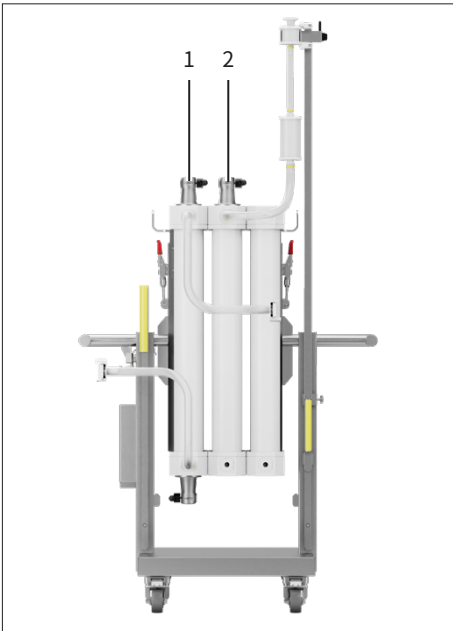
##### 누출되는 액체로 인한 부상 위험!

튜브 파열 또는 연결부의 누출로 인해 액체가 누출될 수 있습니다. 이로 인해 사람이 부상을 입을 수 있습니다.

- ▶ 최대 작동 압력에 유의하십시오(필터 유닛 레이블 정보 참조).
- ▶ Advanced 배기 튜브 세트를 사용할 경우: 트라이 클램프 연결부가 단단히 고정되었는지 확인하고 필요한 경우 추가로 조입니다.
- ▶ 압력 모니터링을 위한 측정 장치를 사용합니다.
- ▶ 감독자 없이 프로세스를 수행하지 **마십시오**.

#### 절차

- ▶ 모든 밸브 액추에이터를 [close] 위치로 설정합니다.
  - ▶ Inlet 튜브를 플라스틱 백에서 꺼낸 후 케이블 바인더를 제거합니다.
  - ▶ Inlet 튜브를 연결합니다(연결은 커넥터 설명서 참조).
  - ▶ Outlet 튜브를 플라스틱 백에서 꺼낸 후 케이블 바인더를 제거합니다.
  - ▶ Outlet 튜브를 연결합니다(연결은 커넥터 설명서 참조).
  - ▶ Inlet 밸브 액추에이터(1) 및 배기 밸브 액추에이터(2)를 [open] 위치로 설정합니다.
  - ▶ 보충 프로세스를 시작합니다. 이때 최대 유량 5 L/min을 준수하십시오.
  - ▶ 필터 유닛이 채워집니다.
- 
- ▶ **공지사항** 에어 필터가 액체 또는 거품과 접촉하면 막힐 수 있습니다! 투명 용기에 액체 또는 거품이 차기 시작하는 경우: 흐름을 멈춥니다.
  - ▶ 회전 기능을 이용하여 필터 유닛을 천천히 여러 번 앞뒤로 흔듭니다.
  - ▶ 필요한 경우: 에어 필터 홀더가 있는 시스템 레일의 높이를 조정하여 배기 튜브가 꼬이는 것을 방지합니다.
  - ▷ 잔여 공기가 에어 필터를 통해 빠져나갑니다.
  - ▶ 투명 용기 안의 액체가 대폭 하강하는 경우:
    - ▶ 감소한 유량을 보충합니다.
    - ▶ 투명 용기에 액체 또는 거품이 차기 시작하는 경우: 흐름을 멈춥니다.
  - ▶ Inlet 밸브 액추에이터를 [close] 위치로 설정합니다.
  - ▶ 배기 밸브 액추에이터를 [close] 위치로 설정합니다.
  - ▷ 필터 유닛이 보충 및 배기되었습니다.





## 6.2 필터 유닛 헝구기

### 조건

필터 유닛이 보충 및 배기되었습니다.

### ⚠ 주의

#### 누출되는 액체로 인한 부상 위험!

튜브 파열 또는 연결부의 누출로 인해 액체가 누출될 수 있습니다. 이로 인해 사람이 부상을 입을 수 있습니다.

- ▶ 최대 작동 압력에 유의하십시오(필터 유닛에 명시된 정보 참조).
- ▶ Advanced 배기 튜브 세트를 사용할 경우: 트라이 클램프 연결부가 단단히 고정되었는지 확인하고 필요한 경우 추가로 조입니다.
- ▶ 압력 모니터링을 위한 측정 장치를 사용합니다.
- ▶ 감독자 없이 프로세스를 수행하지 **마십시오**.

### 절차

- ▶ 헝구를 시작하려면:
  - ▶ Inlet 밸브 액추에이터 및 Outlet 밸브 액추에이터를 [open] 위치로 설정합니다.
  - ▶ 흐름을 진행시킵니다.
- ▶ 헝구를 종료하려면:
  - ▶ 흐름을 멈춥니다.
  - ▶ Inlet 밸브 액추에이터 및 Outlet 밸브 액추에이터를 [close] 위치로 설정합니다.

## 6.3 여과 실행

### 조건

- 필터 유닛이 완전히 배기되었습니다.
- 옵션: 필터 무결성 테스트를 실시했습니다.
- Inlet 및 Outlet 튜브가 연결되어 있습니다.

### ⚠ 주의

#### 누출되는 액체로 인한 부상 위험!

튜브 파열 또는 연결부의 누출로 인해 액체가 누출될 수 있습니다. 이로 인해 사람이 부상을 입을 수 있습니다.

- ▶ 최대 작동 압력에 유의하십시오(필터 유닛에 명시된 정보 참조).
- ▶ Advanced 배기 튜브 세트를 사용할 경우: 트라이 클램프 연결부가 단단히 고정되었는지 확인하고 필요한 경우 추가로 조입니다.
- ▶ 압력 모니터링을 위한 측정 장치를 사용합니다(예: Sartorius Sensor Transfer Sets).
- ▶ 감독자 없이 프로세스를 수행하지 **마십시오**.

**절차**

- ▶ 여과 프로세스를 시작하려면:
  - ▶ 배기 밸브 액추에이터가 [close] 위치에 있는지 확인합니다.
  - ▶ Inlet 밸브 액추에이터를 [open] 위치로 설정합니다.
  - ▶ Outlet 밸브 액추에이터를 [open] 위치로 설정합니다.
  - ▶ 여과 흐름을 진행시킵니다.
  - ▶ 여과 프로세스가 시작됩니다.
  
- ▶ 여과 프로세스를 종료하려면:
  - ▶ 여과 흐름을 멈춥니다.
  - ▶ Inlet 밸브 액추에이터 및 Outlet 밸브 액추에이터를 [close] 위치로 설정합니다.

## 6.4 필터 무결성 테스트 실행

필터 무결성 테스트는 여과 프로세스 전후에 실행할 수 있습니다. 필터 무결성 테스트의 한계값 및 테스트 매개변수는 Maxicaps MR 데이터 시트에 명시되어 있습니다.

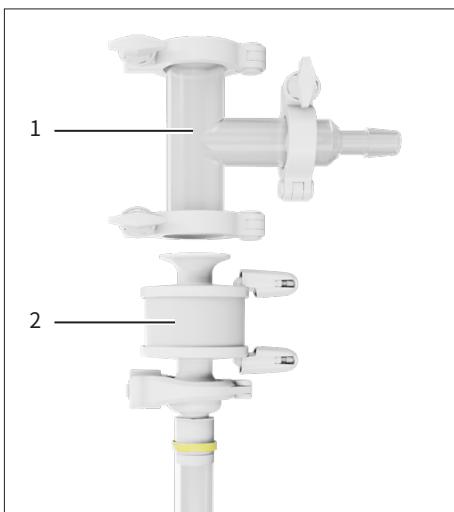
- 준비물:
- Pressure Safety Device
  - 트라이 클램프 ½
  - 필터 무결성 테스트 장치(예: Sartocheck 5)
  - 필요한 경우: 외부 기준 탱크(순 용량 > 13 L)

**조건**

- 필터 유닛이 필터 무결성 테스트에 적합합니다.
- Outlet 튜브가 무압 상태입니다.

**절차**

- ▶ 3개의 밸브 액추에이터가 모두 [close] 위치에 있는지 확인합니다.
- ▶ 에어 필터 홀더가 있는 시스템 레일 연장부를 아래로 민 후 에어 필터를 분리합니다.
- ▶ 에어 필터(2) 및 Pressure Safety Device(1)를 트라이 클램프와 연결합니다.
- ▶ 필터 무결성 테스트 장치를 Pressure Safety Device와 연결합니다.
- ▶ 투명 용기를 에어 필터 홀더에 장착합니다.
- ▶ 튜브가 꼬이지 않았는지 확인합니다.
- ▶ 필터 유닛을 비우기 위치로 이동합니다.
- ▶ 배기 밸브 액추에이터 및 Outlet 밸브 액추에이터를 [open] 위치로 설정합니다.
- ▶ 필터 무결성 테스트 장치에서 매개변수를 정의합니다(매개변수는 12.5장, 309 페이지 참조).
- ▶ 필터 무결성 테스트의 확산 프로그램을 시작합니다(필터 무결성 테스트 장치 설명서 참조).
- ▶ 필터 유닛이 비워집니다.
  
- ▶ 필터 무결성 테스트가 종료되면:
  - ▶ 배기 밸브 액추에이터를 [close] 위치로 설정합니다.
  - ▶ Outlet 밸브 액추에이터를 [close] 위치로 설정합니다.
  - ▶ 필터 무결성 테스트 장치를 Pressure Safety Device에서 제거합니다.
  - ▶ 압력 안전 장치는 에어 필터에서 제거한 후 보관합니다.



## 6.5 필터 유닛 비우기

### 6.5.1 중량 측정 방식으로 필터 유닛 비우기

#### 조건

- 여과 프로세스가 종료되었습니다.
- 시스템이 압력을 받고 있지 **않습니다**.

#### 절차

- ▶ 필터 유닛을 비우기 위치로 이동합니다.
- ▶ 필요한 경우: 에어 필터 홀더가 있는 시스템 레일의 높이를 조정하여 배기 튜브가 끼이는 것을 방지합니다.
- ▶ 배기 밸브 액추에이터를 [open] 위치로 설정합니다.
- ▶ Outlet 밸브 액추에이터를 [open] 위치로 설정합니다.
- ▷ 필터 유닛이 비워집니다.
- ▶ 필터 유닛에서 더 이상 액체가 흘러나오지 않을 경우: Outlet 밸브 액추에이터 및 배기 밸브 액추에이터를 [close] 위치로 설정합니다.

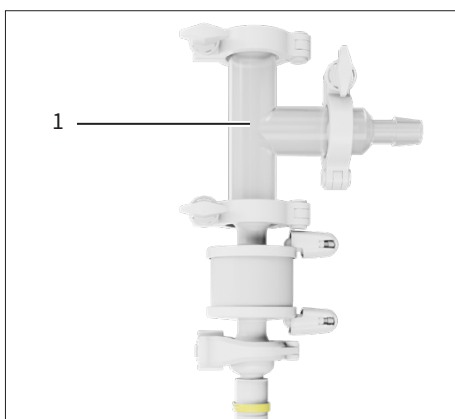
### 6.5.2 압축공기를 이용하여 필터 유닛 비우기

#### 조건

- 여과 프로세스가 종료되었습니다.
- 시스템이 압력을 받고 있지 **않습니다**.

#### 절차

- ▶ 에어 필터 홀더가 있는 시스템 레일 연장부를 아래로 민 후 에어 필터를 분리합니다.
- ▶ 에어 필터 및 Pressure Safety Device를 트라이 클램프와 연결합니다.
- ▶ 압축공기 공급 장치를 Pressure Safety Device(1)에 연결합니다.
- ▶ Inlet 밸브 액추에이터가 [close] 위치에 있는지 확인합니다.
- ▶ 필터 유닛을 비우기 위치로 이동합니다.
- ▶ Outlet 밸브 액추에이터를 [open] 위치로 설정합니다.
- ▶ 배기 튜브가 끼이지 **않았는지** 확인합니다.
- ▶ 시스템에 최대 0.5 bar의 압력을 가합니다.
- ▶ 비우기 프로세스 중 가압 상태를 모니터링합니다.
- ▷ 필터 유닛이 비워집니다.
- ▶ 필터 유닛에서 더 이상 액체가 흘러나오지 않을 경우:
  - ▶ 압축공기 공급 장치를 단습니다.
  - ▶ 배기 밸브 액추에이터를 [close] 위치로 설정합니다.
  - ▶ Outlet 밸브 액추에이터를 [close] 위치로 설정합니다.



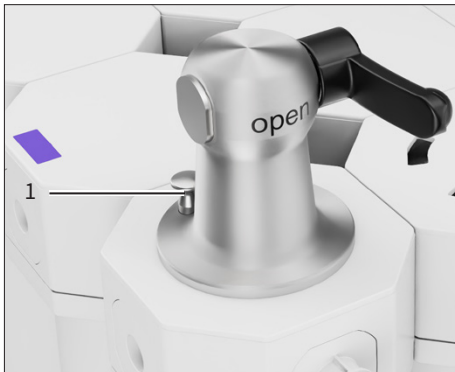
## 6.6 필터 유닛의 연결부 및 밸브 액추에이터 분리

### 조건

- 여과 프로세스가 종료되었습니다.
- 필터 유닛이 비워져 있습니다.
- 시스템이 압력을 받고 있지 **않습니다**.

### 절차

- ▶ 3개의 밸브 액추에이터를 모두 [open] 위치로 설정합니다.
- ▶ Inlet 및 Outlet 튜브를 분리합니다(예: Clipster® 또는 BioSealer® 이용).
- ▶ 3개의 밸브 액추에이터를 분리합니다. 이를 위해 고정 장치(1)를 들어올리고, 밸브 액추에이터를 시계 반대 방향으로 돌린 후 분리합니다.
- ▶ 3개의 밸브 액추에이터를 트롤리의 밸브 홀더에 보관합니다.



## 6.7 Flexsafe® STR Lifting Device 없이 필터 유닛 및 리프팅 핸들 장착하기

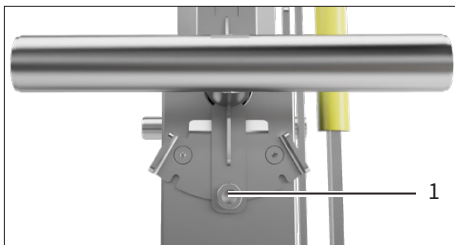
작업자: 2명, 사용자

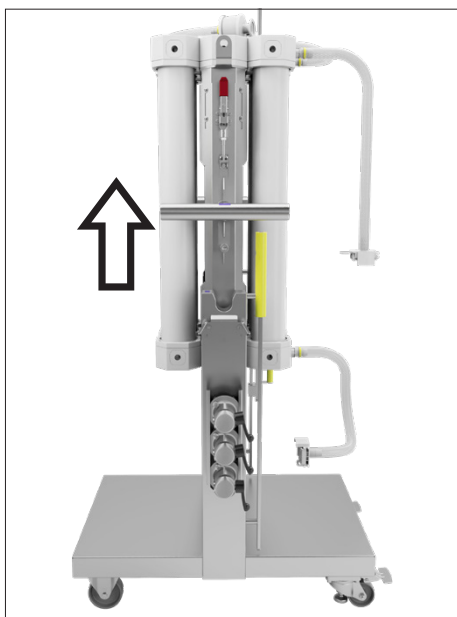
### 조건

- 에어 필터가 에어 필터 홀더에 삽입되어 있지 **않습니다**.
- 연결부 및 밸브 액추에이터가 필터 유닛에서 분리되어 있습니다.
- 필터 유닛이 여과 위치에 있습니다.

### 절차

- ▶ 회전 기능 잠금 장치(1)를 풉니다.





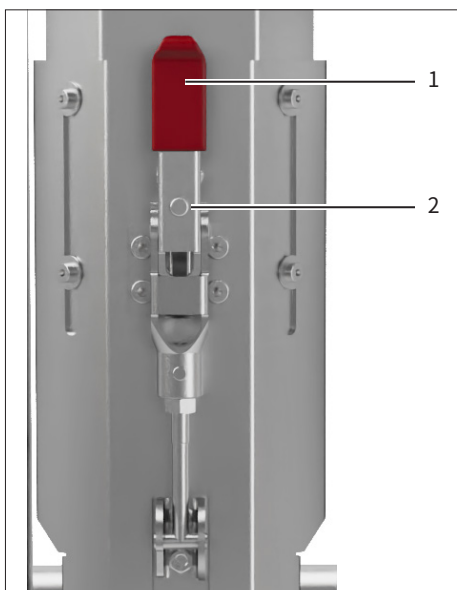
- ▶ 양쪽 리프팅 핸들을 이용하여 필터 부품을 트롤리의 홀더에서 위쪽으로 분리한 후 조심스럽게 내려놓습니다.

사용자 1:

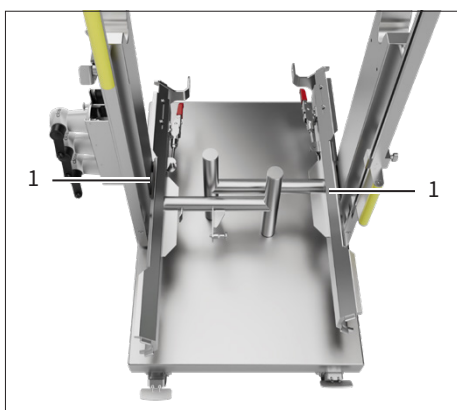
- ▶ 필터 유닛을 단단히 잡습니다.

사용자 2:

- ▶ **⚠ 주의** 레버(1)를 돌릴 때 손가락이 끼일 수 있습니다! 핸들의 잠금 장치(2)를 누르고 레버를 조심스럽게 아래로 돌립니다.
- ▶ 리프팅 핸들을 조심스럽게 위쪽으로 분리한 후 내려놓습니다.
- ▶ 레버(1)를 위쪽으로 돌립니다.
- ▷ 안전 잠금 장치(2)가 고정됩니다.
- ▶ 두 번째 핸들도 동일한 방식으로 분해합니다.
- ▶ 필터 유닛을 폐기합니다("11 폐기"장, 306 페이지 참조)..



- ▶ 양쪽 리프팅 핸들을 트롤리 안쪽에 있는 2개의 홀더(1)에 겁니다.



## 6.8 Flexsafe® STR Lifting Device를 이용하여 필터 유닛 및 리프팅 핸들 분해하기

여과 프로세스 후에는 필터 유닛의 자체 무게가 클 수 있습니다. Sartorius Flexsafe® STR Lifting Device를 이용하여 필터 유닛을 운반하는 것이 좋습니다.

작업자: 2명, 사용자  
준비물: Maxicaps® MR Lifting Gear 및 Flexsafe® STR Lifting Device

### 조건

- 에어 필터가 에어 필터 홀더에 삽입되어 있지 **않습니다**.
- 연결부 및 밸브 액추에이터가 필터 유닛에서 분리되어 있습니다.
- 필터 유닛이 여과 위치에 있습니다.
- Lifting Gear가 Flexsafe® STR Lifting Device에 설치되어 있습니다 (Flexsafe® STR Lifting Device 설명서 참조).

### ⚠ 경고

#### 떨어지는 시스템 부품으로 인한 부상 위험!

- ▶ 분해 시 절차에 유의하십시오.

### ⚠ 경고

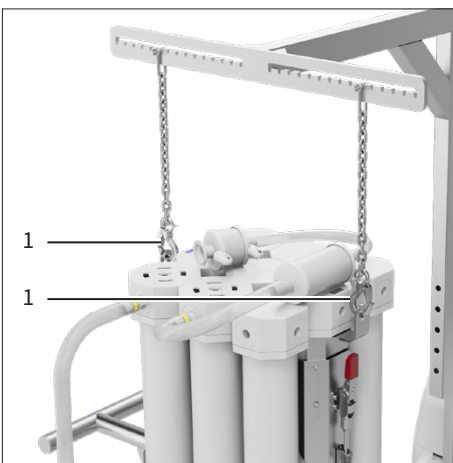
#### Flexsafe® STR Lifting Device의 전복으로 인한 부상 위험!

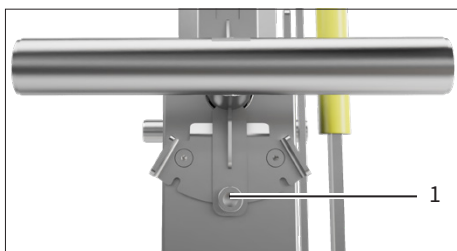
최대 하중을 초과하는 경우 Flexsafe® STR Lifting Device가 전복될 수 있습니다. 이로 인해 사람이 부상을 입을 수 있습니다.

- ▶ Flexsafe® STR Lifting Device의 최대 하중에 유의하십시오(Flexsafe® STR Lifting Device의 하중 다이어그램 참조).
- ▶ 필터 유닛은 **반드시** 비워진 상태에서 들어올리십시오.
- ▶ 필터 유닛은 **반드시** 리프팅 핸들과 트롤리 사이의 고정 장치가 풀린 상태에서 들어올리십시오.

### 절차

- ▶ Flexsafe® STR Lifting Device를 Maxicaps® MR의 뒷면에 접근시킨 후 Lifting Gear가 가능한 한 필터 유닛 위 중앙에 위치하도록 배치합니다.
- ▶ ⚠ **경고** Lifting Gear의 잘못된 배치로 인한 부상 위험! 2개의 Lifting Gear 후크는 반드시 리프팅 핸들에 있는 2개의 고정점(아일릿)(1)에 거십시오.
- ▶ Lifting Gear를 필터 유닛의 너비에 맞게 조정합니다. 이를 위해 Lifting Gear의 적절한 홈에 체인을 밀어 넣습니다.
- ▶ 권장 사항: 체인은 중앙까지의 거리가 가능한 한 동일하도록 홈에 밀어 넣어야 합니다.





- ▶ 한 손으로 회전 기능 잠금 장치(1)를 풉니다.
- ▶ 잠금 장치가 바로 다시 체결되지 않도록 다른 손으로 리프팅 핸들을 약간 들어올립니다.

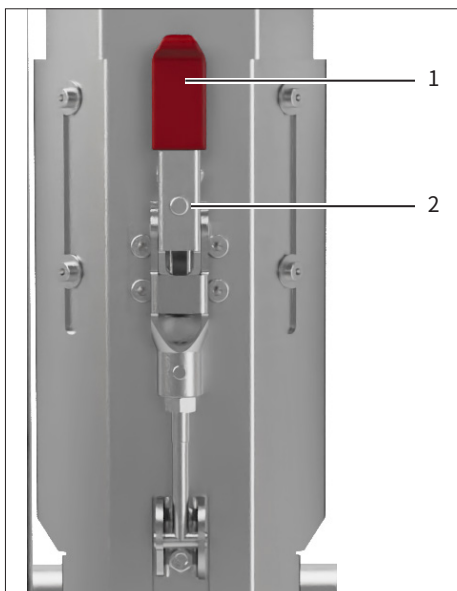
- ▶ 필터 유닛을 트롤리 위로 들어올릴 수 있을 때까지 Flexsafe® STR Lifting Device를 이용하여 필터 유닛을 들어올립니다. 이때 후크가 걸리지 않도록 주의하십시오.
- ▶ 필터 유닛을 적절한 위치에 내려놓습니다.
- ▶ 필요한 경우: 내려놓는 과정에서 필터 유닛이 Flexsafe® STR Lifting Device의 아우트리거 위에 놓이지 않도록 위치를 조정합니다.
- ▶ 2개의 Lifting Gear 후크를 필터 유닛의 고정점에서 분리합니다.

사용자 1:

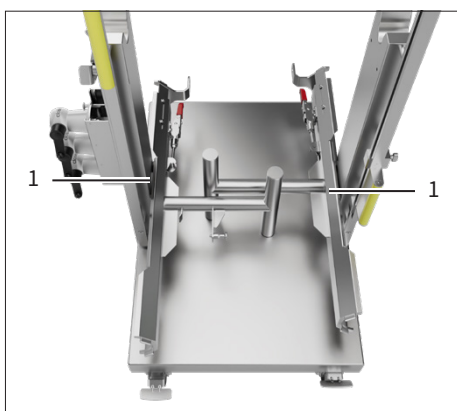
- ▶ 필터 유닛을 단단히 잡습니다.

사용자 2:

- ▶ 안전 잠금 장치(2)를 누르고 레버(1)를 아래로 돌립니다.
- ▶ 리프팅 핸들을 조심스럽게 위쪽으로 분리한 후 내려놓습니다.
- ▶ 레버(1)를 위쪽으로 돌립니다.
- ▷ 안전 잠금 장치(2)가 고정됩니다.
- ▶ 두 번째 핸들도 동일한 방식으로 분해합니다.
- ▶ 필터 유닛을 폐기합니다("11 폐기"장, 306 페이지 참조)..



- ▶ 양쪽 리프팅 핸들을 트롤리 안쪽에 있는 2개의 홀더(1)에 겁니다.



## 7 청소

### 7.1 트롤리 및 리프팅 핸들 청소

**조건**

여과 프로세스가 종료되었습니다.

**절차**

- ▶ 반드시 적합한 세제를 사용해야 하며, 사용하는 세제의 제품 정보에 유의하십시오(세제는 12.11장, 310 페이지 참조).
- ▶ 가볍게 적신 세척용 천으로 트롤리와 리프팅 핸들을 닦습니다. 오염이 심한 경우에는 순한 비눗물이나 적합한 세제를 사용하십시오.

## 8 오작동

오작동	원인	조치	장, 페이지	목표 집단
에어 필터가 막혀 있습니다.	액체 또는 거품이 에어 필터에 유입되었습니다.	필터 유닛을 폐기합니다.	11.1, 306	사용자
필터 무결성 테스트 중에 압력이 구축되지 <b>않습니다</b> .	Pressure Safety Device의 파열 디스크에 결함이 있습니다.	<ul style="list-style-type: none"> <li>- 결함이 있는 Pressure Safety Device를 폐기합니다.</li> <li>- 새 Pressure Safety Device를 사용합니다.</li> </ul>		사용자
필터 무결성 테스트를 통과하지 <b>못했습니다</b> .	필터 유닛이 부적절하게 젖었습니다.	<ul style="list-style-type: none"> <li>- 필터 유닛을 다시 행굽니다.</li> <li>- 필터 무결성 테스트를 다시 시도합니다.</li> </ul>	6.2, 297 및 6.4, 298	사용자
유입 압력이 허용 작동 압력을 초과합니다.	Inlet 및   또는 Outlet 밸브 액추에이터가 닫혀 있습니다.	Inlet 및   또는 Outlet 밸브 액추에이터를 엽니다.		사용자
	에어 필터가 막혀 있습니다.	필터 유닛을 폐기합니다.		
	필터 유닛이 막혀 있습니다	필터 유닛을 폐기합니다.		



## 9 운송

### 조건

- 여과 프로세스가 종료되었습니다.
- 필터 유닛 및 리프팅 핸들이 분해되어 있습니다.

### ⚠ 주의

**고정 브레이크 사용 중 끼여서 눌릴 위험이 있습니다!**

- ▶ 고정 브레이크는 발로만 작동하십시오.
- ▶ 개인 보호 장구를 착용하십시오.

### ⚠ 주의

**시스템을 직접 운반할 때 신체 일부가 깔려서 골절될 위험이 있습니다!**

- ▶ 경사면 위에 시스템을 두지 **마십시오**
- ▶ 개인 보호 장구를 착용하십시오.

### 절차

- ▶ 에어 필터 홀더가 있는 시스템 레일 연장부를 최하단 위치로 밀니다.
- ▶ 이동 바퀴의 고정 브레이크를 해제합니다. 이때 발로 레버(1)를 위로 젖힙니다.
- ▶ 트롤리의 손잡이를 잡고 원하는 위치로 밀니다.



## 10 보관 및 배송

### 10.1 트롤리 및 리프팅 핸들 보관

#### 절차

- ▶ 트롤리 및 리프팅 핸들을 청소합니다.
- ▶ 주변 조건을 충족하는 곳에 시스템을 보관합니다(12.4장, 309 페이지 참조).

### 10.2 시스템 및 부품 반송

결함이 있는 부품은 Sartorius로 반송할 수 있습니다. 반송하는 부품은 깨끗하고, 오염 물질이 없으며 올바르게 포장된 상태여야 합니다.

운송 중 손상이 발생하거나 Sartorius에서 부품의 추가 세척 및 소독을 위한 조치를 취한 경우, 해당 비용은 발송인이 부담해야 합니다.

유해 물질(예: 건강에 유해한 생화학 물질)로 오염된 부품은 수리 또는 폐기할 수 없습니다.

#### 절차

- ▶ 반송 방법에 대해서는 Sartorius Service에 문의하십시오 ([www.sartorius.com](http://www.sartorius.com) 참조).
- ▶ 반송 시 부품을 올바르게 포장해야 합니다.

## 11 폐기

### 11.1 시스템 및 부품 폐기

시스템과 시스템 액세서리는 전문 폐기 시설에서 적절히 폐기해야 합니다.

#### 조건

시스템의 오염이 제거되었습니다.

#### 절차

- ▶ 국가별 규정에 따라 시스템 부품을 폐기합니다.
- ▶ 관할 지역의 규정에 따라 포장재를 폐기합니다.

## 12 기술 데이터

### 12.1 무게

#### 12.1.1 필터 유닛 무게

Maxicaps® MR	값	총 무게, 건조, 포장 재 제외*	총 무게, 건조, 포장 재 포함*	총 무게, 채워짐*	총 무게, 비워짐(무결성 테스트 후 2.5 bar에서)*
MR2	kg	7	9	14	8
MR3	kg	10	13	21	11
MR4	kg	12	15	27	14
MR5	kg	15	18	33	17
MR6	kg	18	21	41	21
MR7	kg	20	24	46	23
MR8	kg	23	27	52	27
MR9	kg	26	29	60	30

\* 값은 대략적인 기준값으로 간주됩니다. 실제 값은 여러 요인(예: 필터 차지, 튜브 구성, 배기 시 주입 레벨)에 따라 달라지며 여기에 명시된 값과 차이가 있을 수 있습니다. 값은 Sartopore® 2를 예로 들어 측정되었습니다. 0.2 µm, (입구 | 출구 각 1.5 m TuFlux® TPE + TC 커넥터)

#### 12.1.2 다회용 구성요소 무게

	단위	값
트롤리	kg	64
리프팅 핸들(한쪽당)	kg	4
밸브 액추에이터	kg	2
Lifting Gear + Arm	kg	11

## 12.2 Maxicaps® MR 전체 시스템 치수

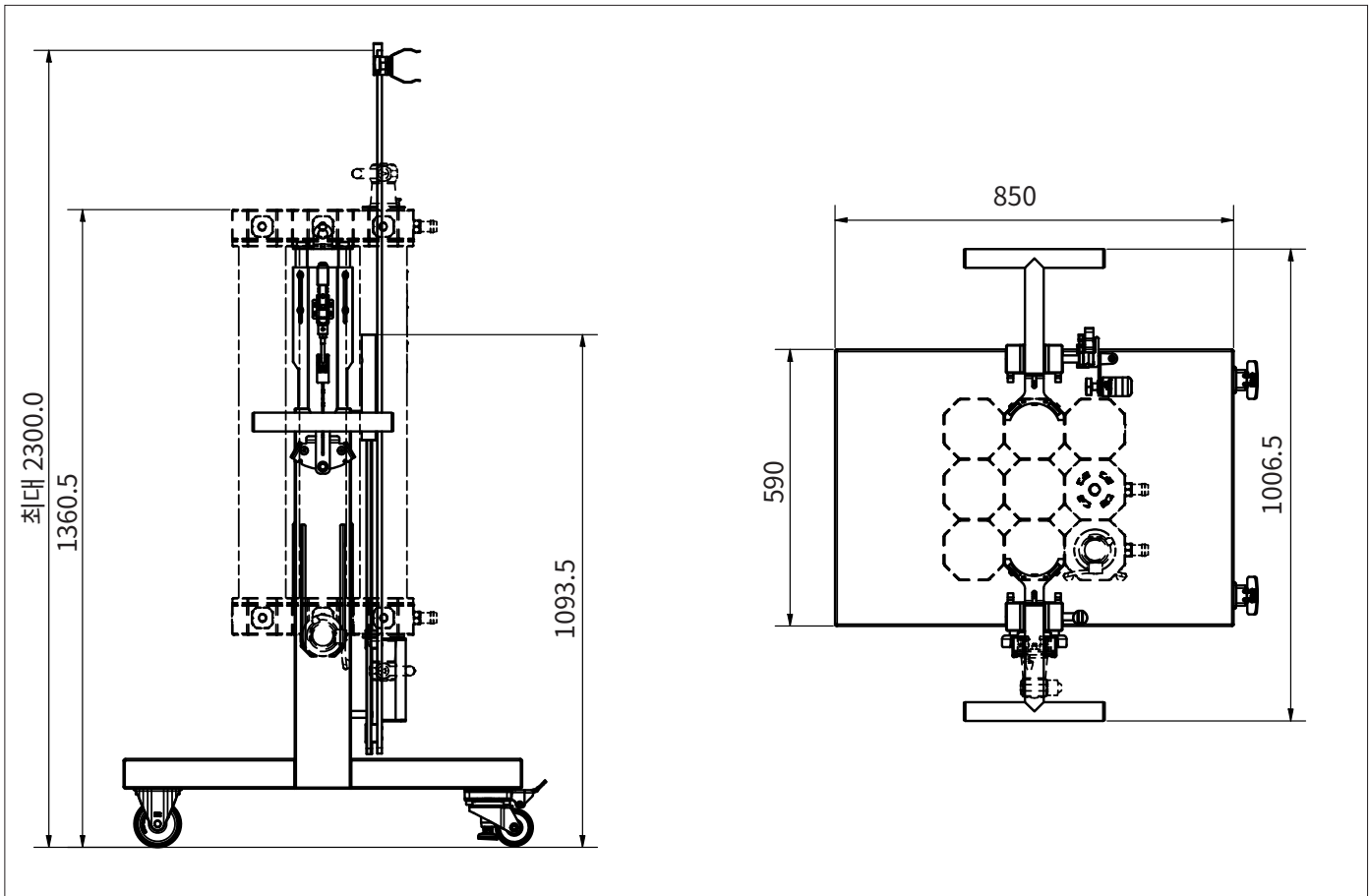


그림 10: 전체 시스템 치수(mm)

## 12.3 필터 유닛 총 용량

Maxicaps® MR	값	총 용량(업스트림 용량)
MR2	L	7
MR3	L	10
MR4	L	13
MR5	L	15
MR6	L	18
MR7	L	21
MR8	L	24
MR9	L	26

값은 대략적인 기준값으로 간주되며, 여기에 명시된 값과 차이가 있을 수 있습니다. 값은 Sartopore® 2를 예로 들어 측정되었습니다. 0.2 μm, (입구 | 출구 각 1.5 m TuFlux® TPE + TC 커넥터)

## 12.4 주변 및 보관 조건

	단위	값
온도		
작동, 보관, 운반	°C	+5 ~ +40
필터 무결성 테스트 중	일정한 주변 온도	
상대 습도(작동, 보관, 운반)	%	< 85

## 12.5 필터 무결성 테스트 매개변수

	단위	값
허용 가스		압축공기, 질소
압력, 최대*	bar	2.5
* 필터별 테스트 매개변수는 데이터 시트 참조		

## 12.6 압축공기를 이용한 필터 유닛 비우기의 매개변수

	단위	값
압력, 최대	bar	0.5

## 12.7 필터 유닛당 최대 작동 시간

	단위	값
시간	h	48
압력 사이클(1 압력 사이클 = $\Delta p > 20\%$ )		500

## 12.8 트롤리 및밸브 액추에이터 및 리프팅 핸들 수명

	단위	값
수명	a	8

## 12.9 승인된 필터 유닛

Maxicaps MR® 필터 유닛 모델 FMRxxxxx\*

\* 구성에 따라 다름

## 12.10 다회용 구성요소 소재

	준비물
트롤리	스테인리스강
리프팅 핸들	스테인리스강

## 12.11 세제 및 세척 절차

세제	
부식성 또는 마모성 성분 <b>미함유</b>	
염소 및 염화물 <b>미함유</b>	
용제 <b>미함유</b>	
세척 절차	
고압 세척기나 스팀 클리너 <b>제외</b>	
세척 또는 소독을 위한 분사 절차 <b>없음</b>	

## 13 액세서리

이 표에는 주문 가능한 액세서리의 일부만 포함되어 있습니다. 기타 제품에 관한 정보는 Sartorius에 문의하십시오.

품목	수량	주문 번호
Pressure Safety Device	1	26787---PS
Flexsafe® STR 500 - 1000 Lifting Device(Tawi사)	1	DZ-----LT2
Flexsafe® STR 2000 Lifting Device(Tawi사)	1	DZ-----LT1

## 14 Sartorius Service

Sartorius Service는 시스템 관련 문의에 답변을 제공해 드립니다. 서비스 센터 주소, 서비스 업무 및 연락처 정보는 Sartorius 웹사이트를 참조하십시오 ([www.sartorius.com](http://www.sartorius.com)).

시스템에 관한 문의사항이 있거나 고장으로 인한 연락 시 시스템 정보를 확인한 후 Sartorius Service에 알려 주십시오(예: 일련번호). 레이블에 기재된 정보에 유의하십시오.



Original

SARTORIUS

**EU-Konformitätserklärung**  
**EU Declaration of Conformity**

Hersteller Sartorius Stedim Biotech GmbH  
Manufacturer 37070 Goettingen, Germany

erklärt in alleiniger Verantwortung, dass das Betriebsmittel  
*declares under sole responsibility that the equipment*

Geräteart Filtrationsgerät für 2, 3, 4, 5, 6, 7, 8 oder 9 Filtercapsulen  
Device type *Filtration device for 2, 3, 4, 5, 6, 7, 8 or 9 filter capsules*

Single Use System aus 2, 3, 4, 5, 6, 7, 8 oder 9 verbundenen Filtercapsulen von Flüssigkeiten auf Wasserbasis und für die Durchführung von Filter-Integritätstests.  
Single Use System of 2, 3, 4, 5, 6, 7, 8 or 9 connected filter capsules for the filtration of water based fluids and to perform filter integrity tests.

Baureihe **Maxicaps® MR**  
Type series

Modell **FMR5xxxxx**  
Model

xxxxx= Alphanumerische Werte für verschiedene Ausführungsformen.  
*xxxxx= Alphanumeric value describing the configuration.*

in der von uns in Verkehr gebrachten Ausführung allen einschlägigen Bestimmungen der folgenden Europäischen Richtlinien entspricht und die anwendbaren Anforderungen folgender harmonisierter Europäischer Normen einschließlich deren zum Zeitpunkt der Erklärung geltenden Änderungen erfüllt:

*in the form as delivered fulfils all the relevant provisions of the following European Directives and meets the applicable requirements of the harmonized European Standards including any amendments valid at the time this declaration was signed listed below:*

2014/68/EU Druckgeräte / *Pressure Equipment*

AD2000 Regelwerk / Framework  
DVS 2205-1:2021 DVS-Richtlinie / DVS Regulation

Sartorius Stedim Biotech GmbH  
Goettingen, 2023-03-30

Peter Merza

Digital unterschrieben  
von Peter Merza  
Datum: 2023.03.30  
14:37:43 +02'00'

Peter Merza  
Manager Regulatory Affairs

Dr. Helge Henning  
Head of Center of Expertise Operations  
ST





Traduction du document original

SARTORIUS

## Déclaration de conformité UE

Fabricant Sartorius Stedim Biotech GmbH  
37070 Goettingen, Germany  
déclare sous sa seule responsabilité que l'appareil

Type d'appareil Appareil de filtration pour 2, 3, 4, 5, 6, 7, 8 ou 9 capsules filtrantes

Système à usage unique comprenant 2, 3, 4, 5, 6, 7, 8 ou 9 capsules reliées entre elles pour la filtration de liquides à base d'eau et la réalisation de tests d'intégrité des filtres.

Série **Maxicaps® MR**

Modèle **FMR5xxxxx**  
xxxxx= Valeurs alphanumériques pour différentes formes.

dans la version que nous avons mise sur le marché, est conforme à toutes les dispositions pertinentes des directives européennes suivantes et répond aux exigences applicables des normes européennes harmonisées suivantes, y compris aux amendements en vigueur au moment de cette déclaration :

2014/68/UE Équipements sous pression  
AD2000 Règlement  
DVS 2205-1:2021 Directive DVS

Sartorius Stedim Biotech GmbH  
Goettingen, 30/03/2023

---

Peter Merza  
Manager Regulatory Affairs

---

Dr. Helge Henning  
Head of Center of Expertise Operations  
ST



Traducción del original

SARTORIUS

## Declaración de conformidad UE

Fabricante Sartorius Stedim Biotech GmbH  
37070 Goettingen, Germany  
declara bajo su sola responsabilidad que el equipo

Tipo de aparato Aparato de filtración para 2, 3, 4, 5, 6, 7, 8 o 9 cápsulas de filtración

Sistema single use con conexión de 2, 3, 4, 5, 6, 7, 8 o 9 cápsulas filtrantes de líquidos en base agua y para la realización de pruebas de integridad de filtros.

Serie **Maxicaps® MR**

Modelo **FMR5xxxxx**  
xxxxx= Valores alfanuméricos para diferentes formas de ejecución.

en la variante comercializada por nosotros cumple todas las disposiciones pertinentes de las siguientes Directivas Europeas y los requisitos aplicables de las siguientes Normas Armonizadas Europeas, incluidas las modificaciones vigentes en el momento de la declaración:

2014/68/UE Equipos a presión  
AD2000 Reglas  
DVS 2205-1:2021 Directiva-DVS

Sartorius Stedim Biotech GmbH  
Goettingen, 30/03/2023

---

Peter Merza  
Manager Regulatory Affairs

---

Dr. Helge Henning  
Head of Center of Expertise Operations  
ST



Traduzione del testo originale

SARTORIUS

## Dichiarazione di conformità UE

Fabbricante Sartorius Stedim Biotech GmbH  
37070 Goettingen, Germany

dichiara sotto la propria responsabilità che l'apparecchiatura

Tipo di  
apparecchio Apparecchio di filtrazione per 2, 3, 4, 5, 6, 7, 8 o 9 capsule filtranti

Sistema monouso costituito da 2, 3, 4, 5, 6, 7, 8 o 9 capsule filtranti collegate per la filtrazione di liquidi a base acquosa e per l'esecuzione di test d'integrità di filtri.

Serie **Maxicaps® MR**

Modello **FMR5xxxxx**  
xxxxx= valori alfanumerici per diverse versioni.

nella versione da noi immessa sul mercato, è conforme a tutte le disposizioni pertinenti delle seguenti direttive europee e soddisfa le prescrizioni applicabili delle seguenti norme europee armonizzate, comprese le loro modifiche vigenti al momento della dichiarazione:

2014/68/UE Attrezzature a pressione  
AD2000 Normativa  
DVS 2205-1:2021 Direttiva DVS

Sartorius Stedim Biotech GmbH  
Goettingen, 30.03.2023

---

Peter Merza  
Manager Regulatory Affairs

---

Dr. Helge Henning  
Head of Center of Expertise Operations  
ST

Sartorius Stedim Biotech GmbH  
August-Spindler-Strasse 11  
37079 Goettingen, Germany

Phone: +49 551 308 0  
[www.sartorius.com](http://www.sartorius.com)

The information and figures contained in these instructions correspond to the version date specified below.

Sartorius reserves the right to make changes to the technology, features, specifications and design of the equipment without notice.

Masculine or feminine forms are used to facilitate legibility in these instructions and always simultaneously denote all genders.

Copyright notice:

These instructions, including all components, are protected by copyright.

Any use beyond the limits of the copyright law is not permitted without our approval.

This applies in particular to reprinting, translation and editing irrespective of the type of media used.

Last updated:

04 | 2023

© 2023

Sartorius Stedim Biotech GmbH  
August-Spindler-Strasse 11  
37079 Goettingen, Germany

ML | Publication No.: SPK6195dd230401  
DIR: 3114421-000-00

# List of Sartorius material numbers applying to EPA-FIFRA

FMR5002AY	FMR500023	FMR500060
FMR500000	FMR500024	FMR500061
FMR500001	FMR500025	FMR500063
FMR500002	FMR500026	FMR500064
FMR500003	FMR500027	FMR500065
FMR500004	FMR500028	FMR500067
FMR500005	FMR500029	FMR500069
FMR500006	FMR500030	FMR500073
FMR500007	FMR500031	FMR500074
FMR500008	FMR500032	FMR500081
FMR500009	FMR500033	FMR500082
FMR500010	FMR500034	FMR500084
FMR500011	FMR500035	FMR500085
FMR500012	FMR500036	
FMR500013	FMR500037	
FMR500014	FMR500042	
FMR500015	FMR500043	
FMR500016	FMR500044	
FMR500017	FMR500048	
FMR500018	FMR500049	
FMR500019	FMR500050	
FMR500020	FMR500051	
FMR500021	FMR500052	
FMR500022	FMR500053	